

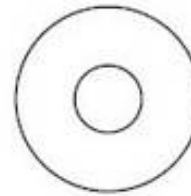
M8x30 - 6ks
 M12x35 - 2ks
 M12x40 - 3ks
 M12x60 - 1ks
 M12x70 - 2ks
 M12x130 - 2ks
 (M12x18 - 4ks)



M12 - 8ks
 M8 - 6ks

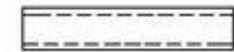


PP8 - 6ks
 PP12 - 10ks



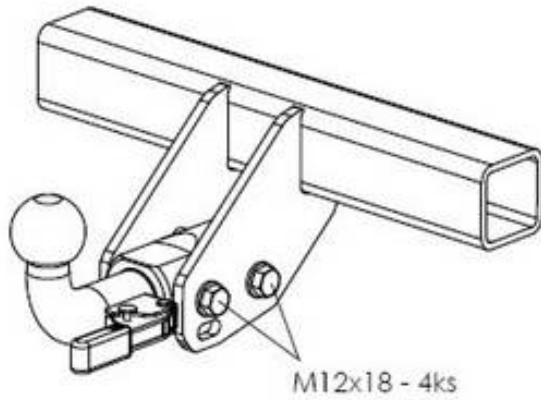
P13 - 2ks
 P9 - 12ks

model (type) - L4

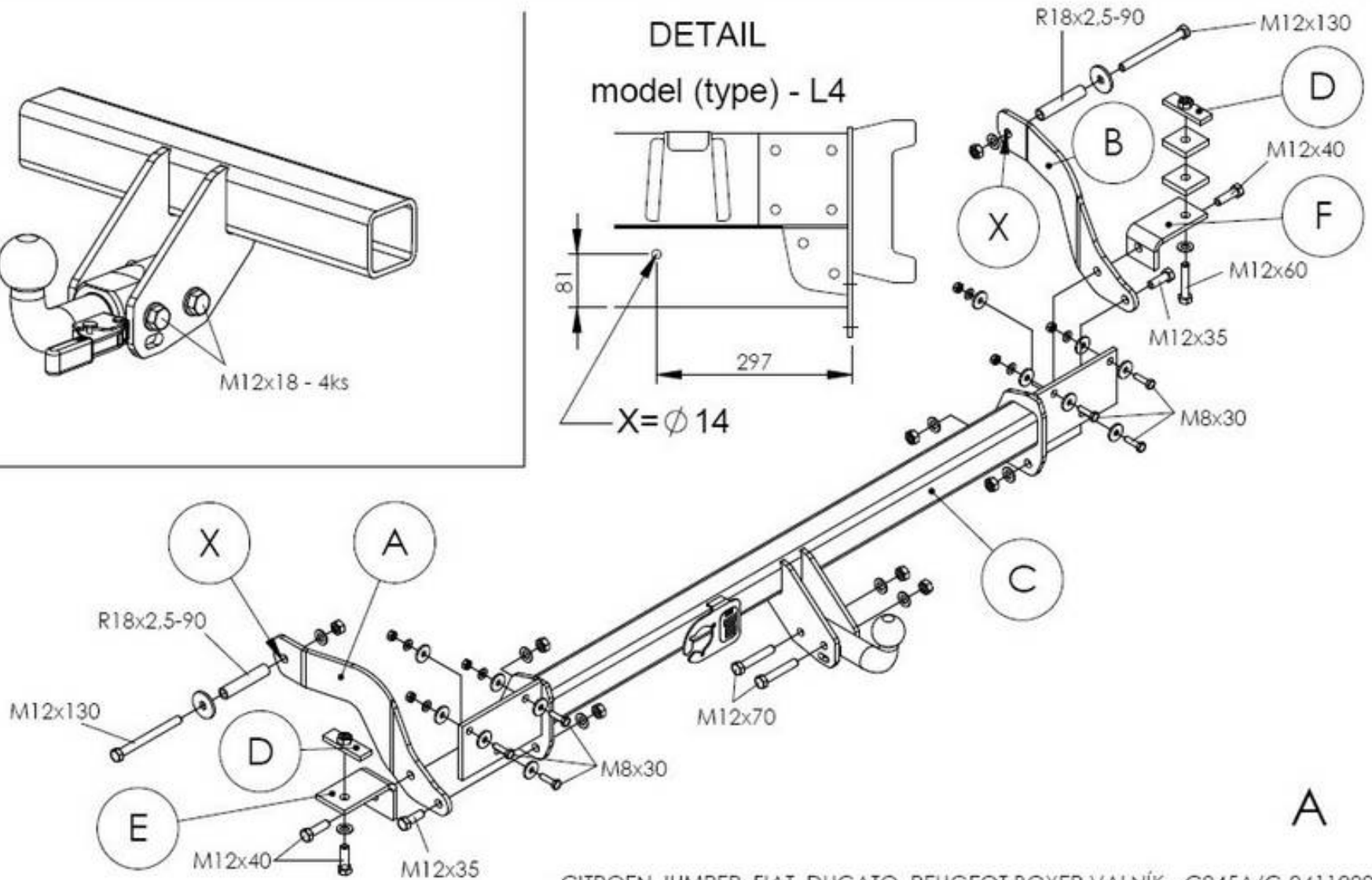
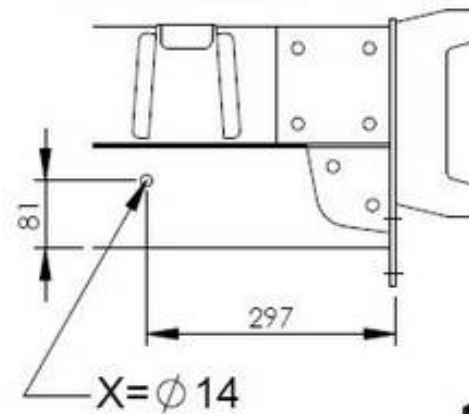


R18x2.5-90 - 2ks

C



DETAIL
 model (type) - L4



A