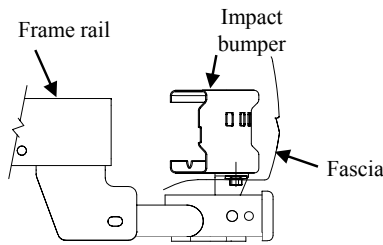


Installation Instructions

Cadillac SRX

Part Numbers:
75682
87573
44638
78187 U-Haul



**Do Not Exceed Lower of Towing Vehicle
 Manufacturer's Rating or**

Hitch type	Max Gross Trailer WT (LB)	Max Tongue WT (LB)
Weight Distributing	5000 (2270 Kg)	500 (227 Kg)
Weight Carrying Ball Mount	4000 (1816 Kg)	400 (182 Kg)

Hitch Shown In Proper Position

Equipment Required:

Fastener Kit: 75682F

Wrenches: 19mm, 10mm
 Deep well socket, Small Flat
 Head Screwdriver & Philips
 Tip Screwdriver

Wiring Access Location:

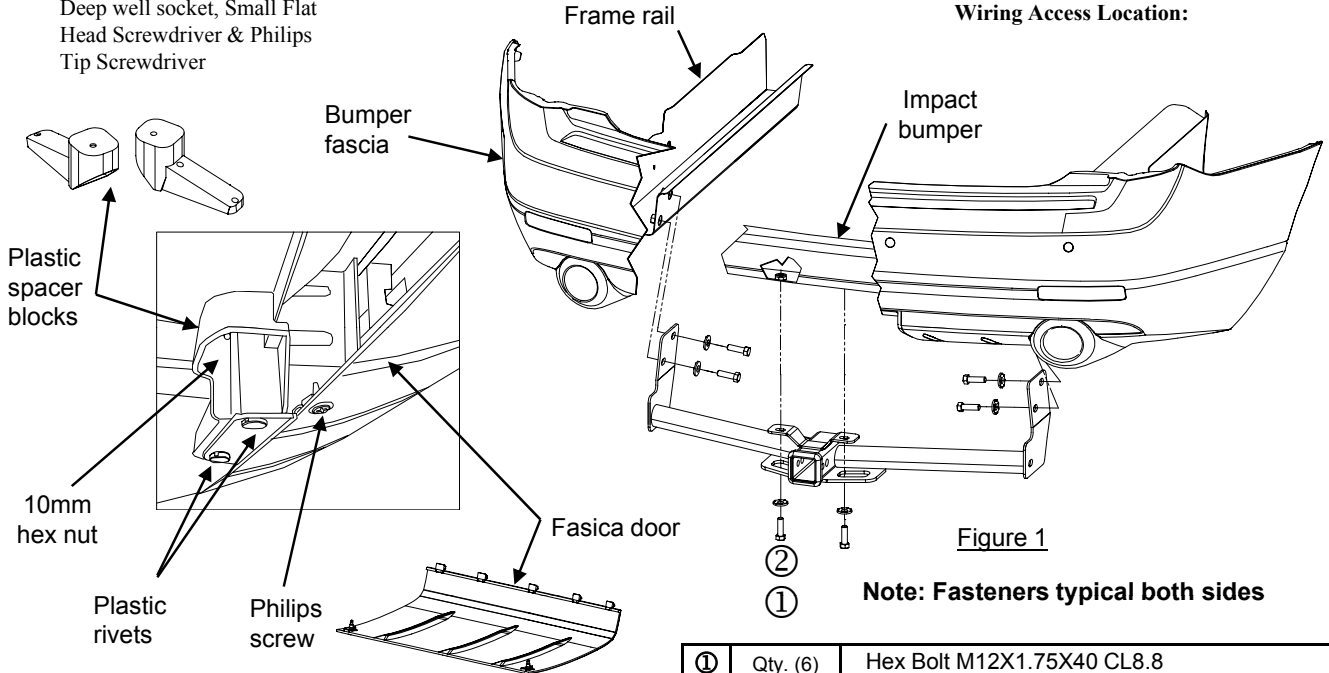


Figure 2

Figure 1

Note: Fasteners typical both sides

①	Qty. (6)	Hex Bolt M12X1.75X40 CL8.8
②	Qty. (6)	Conical washer 1/2"

1. Remove fascia door from bumper fascia using a philips tip screwdriver (2 screws). Remove the (4) plastic rivets that fasten the fascia tabs to the plastic spacer block. Note: Remove the center of the rivet with a screwdriver by first pulling out center post of rivet. Rivet can then be pushed out by hand. Rivets to be reinstalled. Return plastic fascia covering and screws to vehicle owner. See Figure 2.
2. Remove plastic spacer block that the bumper fascia was attached to with a 10mm socket, to be reinstalled.
3. Carefully, pull the electrical wiring harness located on the inside of the drivers side rail away from rail while installing the hitch
4. Raise the hitch into position, carefully, lifting the hitch over the fascia (where needed). Secure to impact bumper with M12 bolts and conical washers into the existing weld nuts, as shown Figure 1. Install remaining fasteners as shown.
5. Tighten all fasteners to the required torque specifications shown below.
6. Reinstall the plastic spacer blocks and (4) plastic fascia rivets removed in step 1 & 2.

Tighten all M12 CL 8.8 fasteners with torque wrench to 68 Lb.-Ft. (92 N*M)

Note: check hitch frequently, making sure all fasteners and ball are properly tightened. If hitch is removed, plug all holes in trunk pan or other body panels to prevent entry of water and exhaust fumes. A hitch or ball which has been damaged should be removed and replaced. Observe safety precautions when working beneath a vehicle and wear eye protection. Do not cut access or attachment holes with a torch.