

- M12x1,25x35 - 9ks
- M12x35 - 4ks
- M12x40 - 2ks
- M12x50 - 2ks
- M12x70 - 2ks (A)
- M12x90 - 2ks (I)
- M12x19 - 3ks (C)
- M12x21 - 1ks (C)



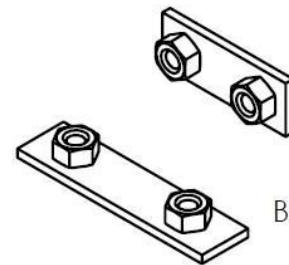
- M12 - 6ks (A, I)
- M12 - 4ks (C)



- PP12 - 6ks (A, I)
- PP12 - 8ks (C)



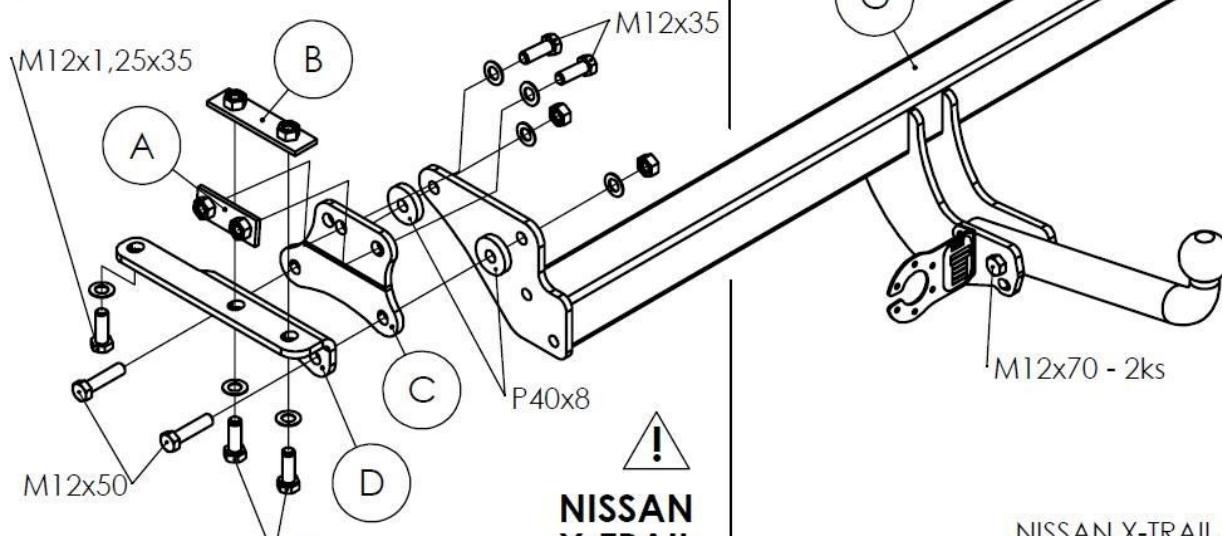
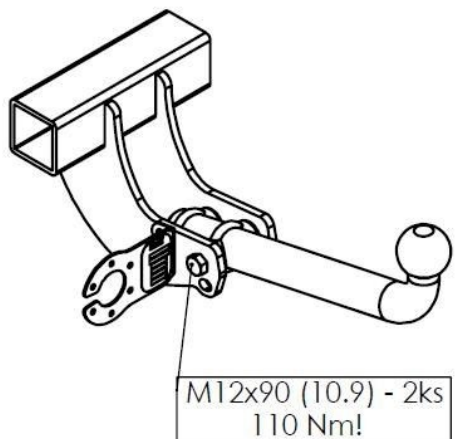
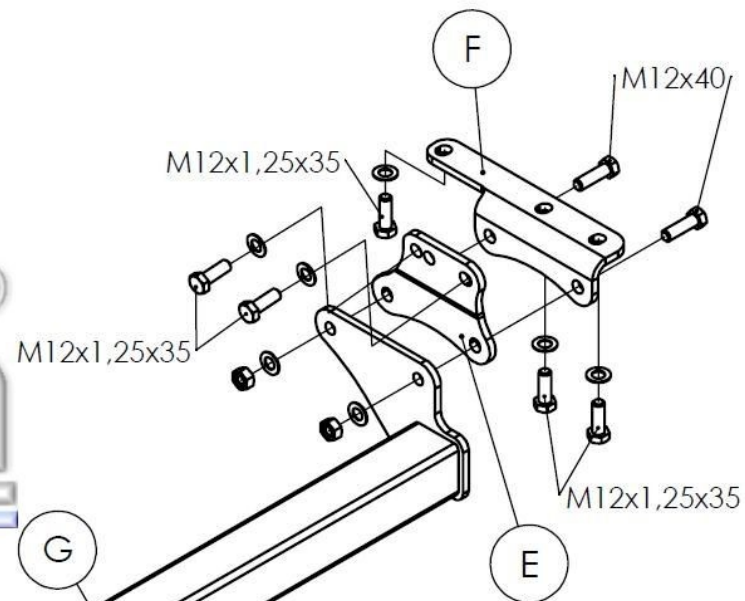
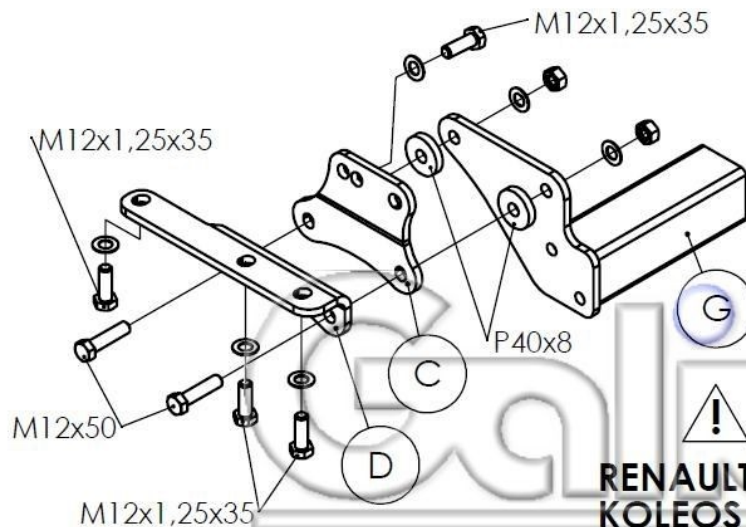
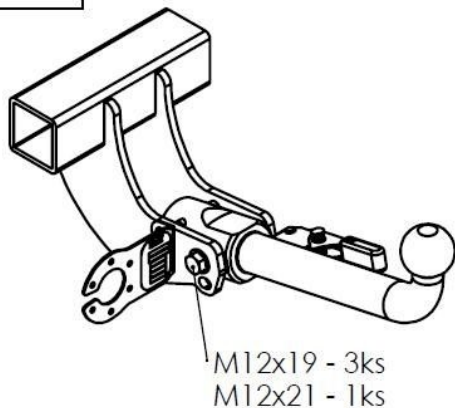
P40x8 - 2ks



A -30x5-80 - 1ks
(Nissan X-Trail)

B -30x5-120 - 1ks
(Nissan X-Trail)

C



I

C 400 12 1

V_{M12x35}

X-TRAIL

NISSAN X-TRAIL, REINTEGRACIÓK
Kód: N0556(A,I,C) 5. 6. 2018

A