

M8x20 - 8ks
 M10x25 - 6ks
 M10x80 - 2ks
 M12x70 - 1ks
 M12x90 - 2ks (I)
 M12x19 - 3ks (C)
 M12x21 - 1ks (C)



M8 - 8ks
 M10 - 8ks
 M12 - 3ks (I)
 M12 - 1ks (C)



PP8 - 8ks
 PP10 - 8ks
 PP12 - 3ks (A, I)
 PP12 - 5ks (C)



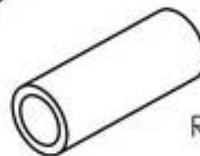
P9 - 6ks



PZ10 - 2ks



P30x13x5 - 1ks

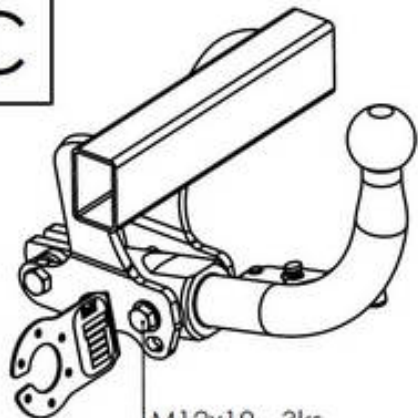


R18x50 - 2ks



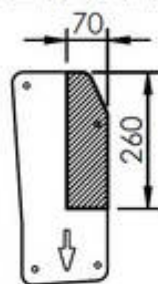
P30x13x8 - 1ks

C

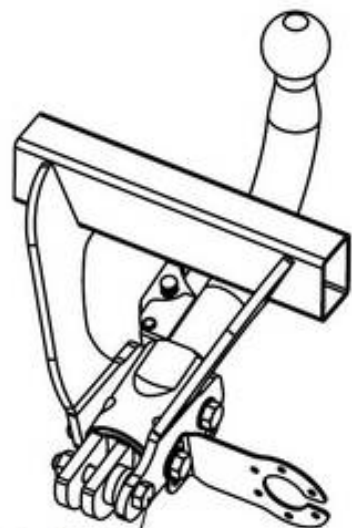
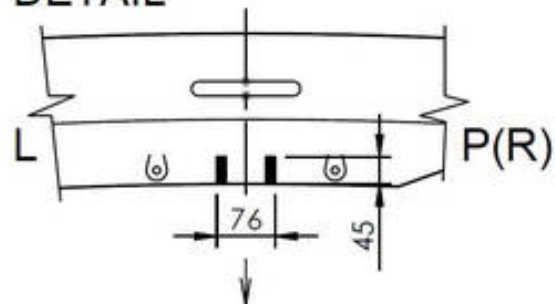


M12x19 - 3ks
 M12x21 - 1ks

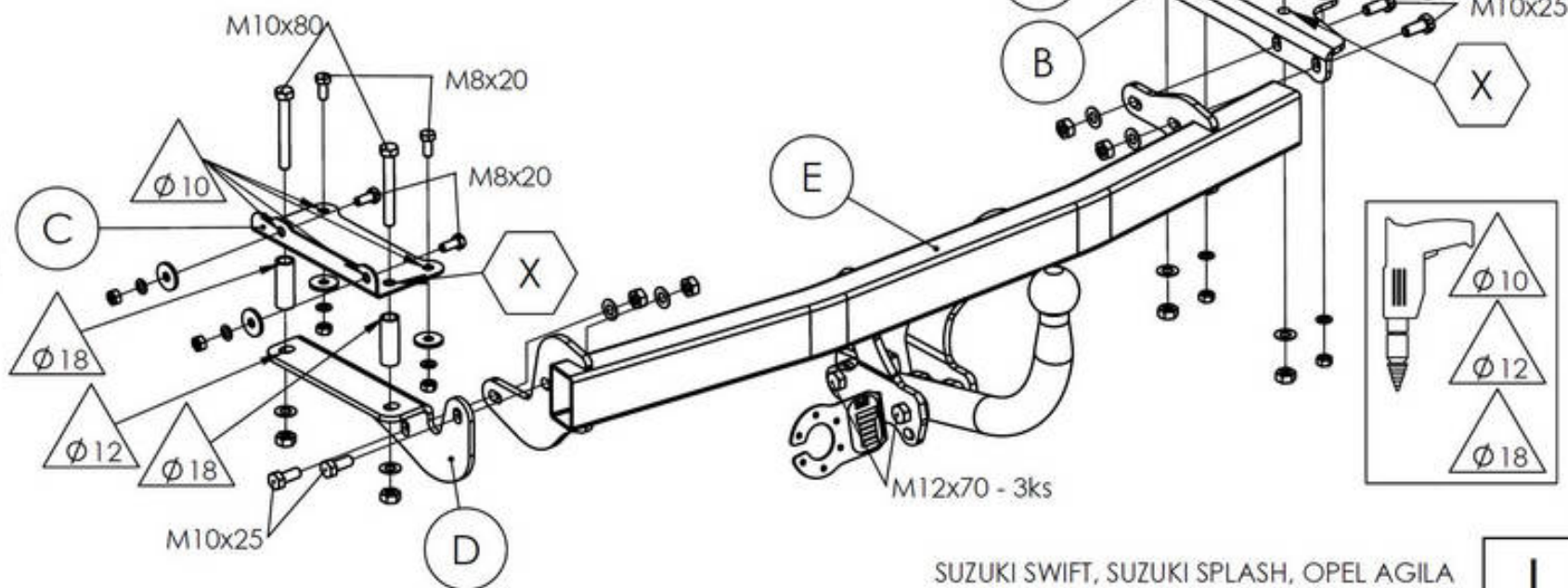
DETAIL 1



DETAIL



M12x70 - 1ks
 P30x13x5 - 1ks
 P30x13x8 - 1ks
 PZ10 - 2ks



IC 400 12 4

SUZUKI SWIFT, SUZUKI SPLASH, OPEL AGILA
 Kód: S0786(I,C) 31. 1. 2013

I