

M12x30 - 8ks
 M12x80 - 1ks
 M12x100 - 1ks
 M12x70 - 2ks (A)
 M12x90 - 2ks (I)
 M12x19 - 3ks (C)
 M12x21 - 1ks (C)



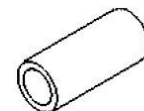
M12 - 8ks (A, I)
 M12 - 6ks (C)



PP12 - 12ks (A, I)
 PP12 - 14ks (C)



P13 - 2ks

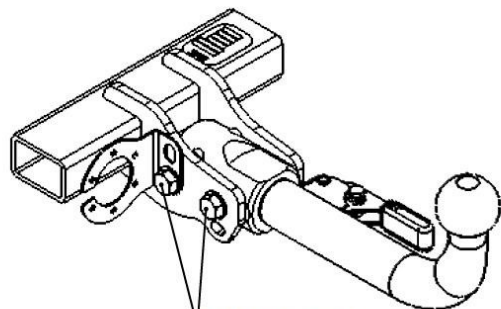


R21x3-49 - 2ks

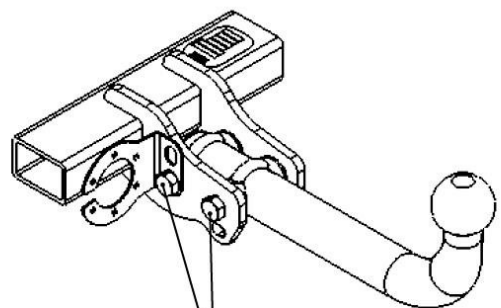


R25x5-20 - 1ks

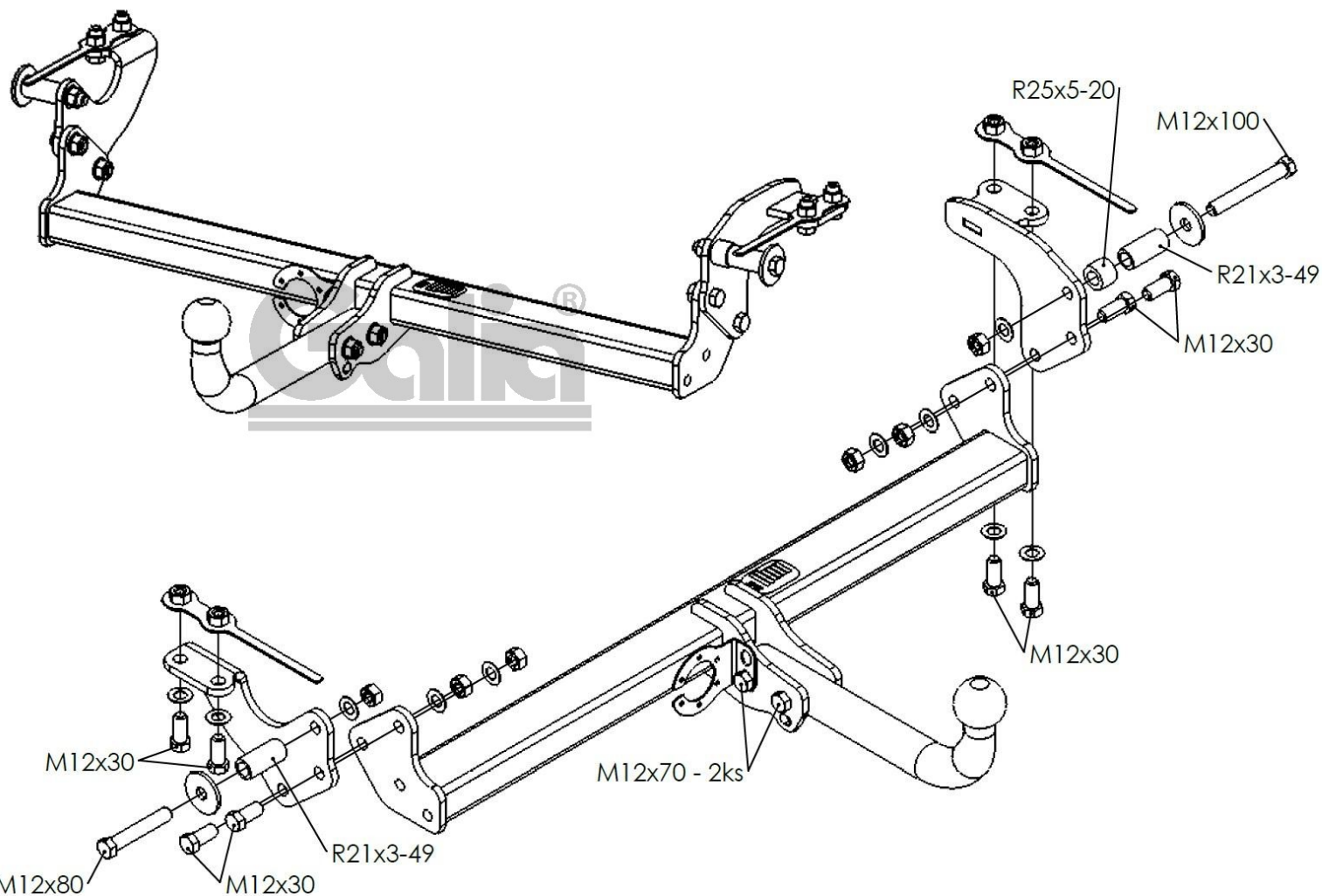
C



M12x19 - 3ks
 M12x21 - 1ks



M12x90 (10.9) - 2ks
 110 Nm!



IC 400 0 2

SUZUKI JIMNY
 Kód: S1375(A,I,C) 5. 3. 2020

A