

M10x35 - 6ks
 M12x30 - 4ks
 M12x1,25x80 - 2ks
 M12x70 - 2ks (A)
 M12x90 - 2ks (I,C)
 M12x19 - 3ks (C)
 M12x21 - 1ks (C)

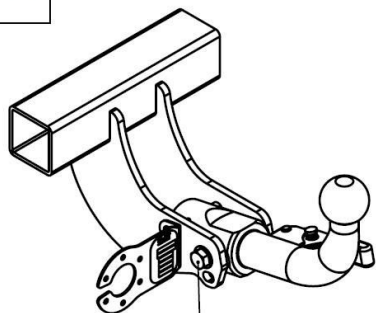


M12 - 6ks (A, I)
 M12 - 4ks (C)

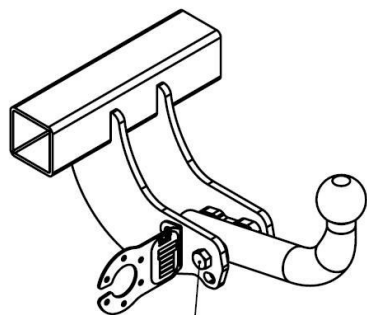


PP10 - 6ks
 PP12 - 8ks (A, I)
 PP12 - 10ks (C)

C

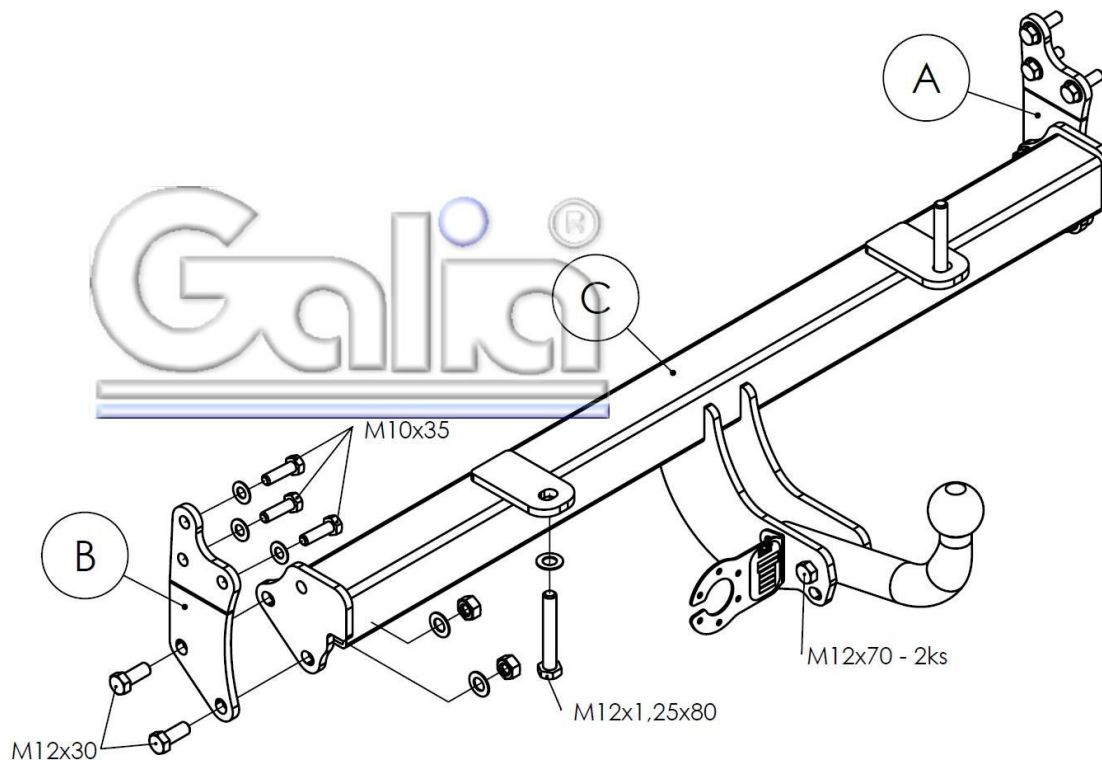


M12x19 - 3ks
 M12x21 - 1ks



M12x90 - 2ks

I



AIC 325 12 2

LAND ROVER FREELANDER
 Kód: R0496(A,I,C) 2. 7. 2013

A