

M10x1,25x30 - 4ks
 M12x30 - 3ks
 M12x70 - 2ks (A, I)
 M12x90 - 2ks (I)
 M12x19 - 3ks (C)
 M12x21 - 1ks (C)

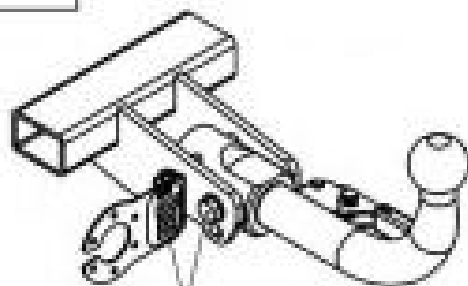


M12 - 5ks (A, I)
 M12 - 3ks (C)

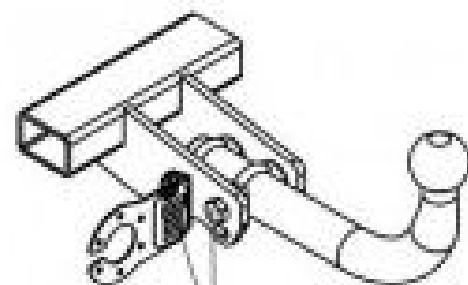
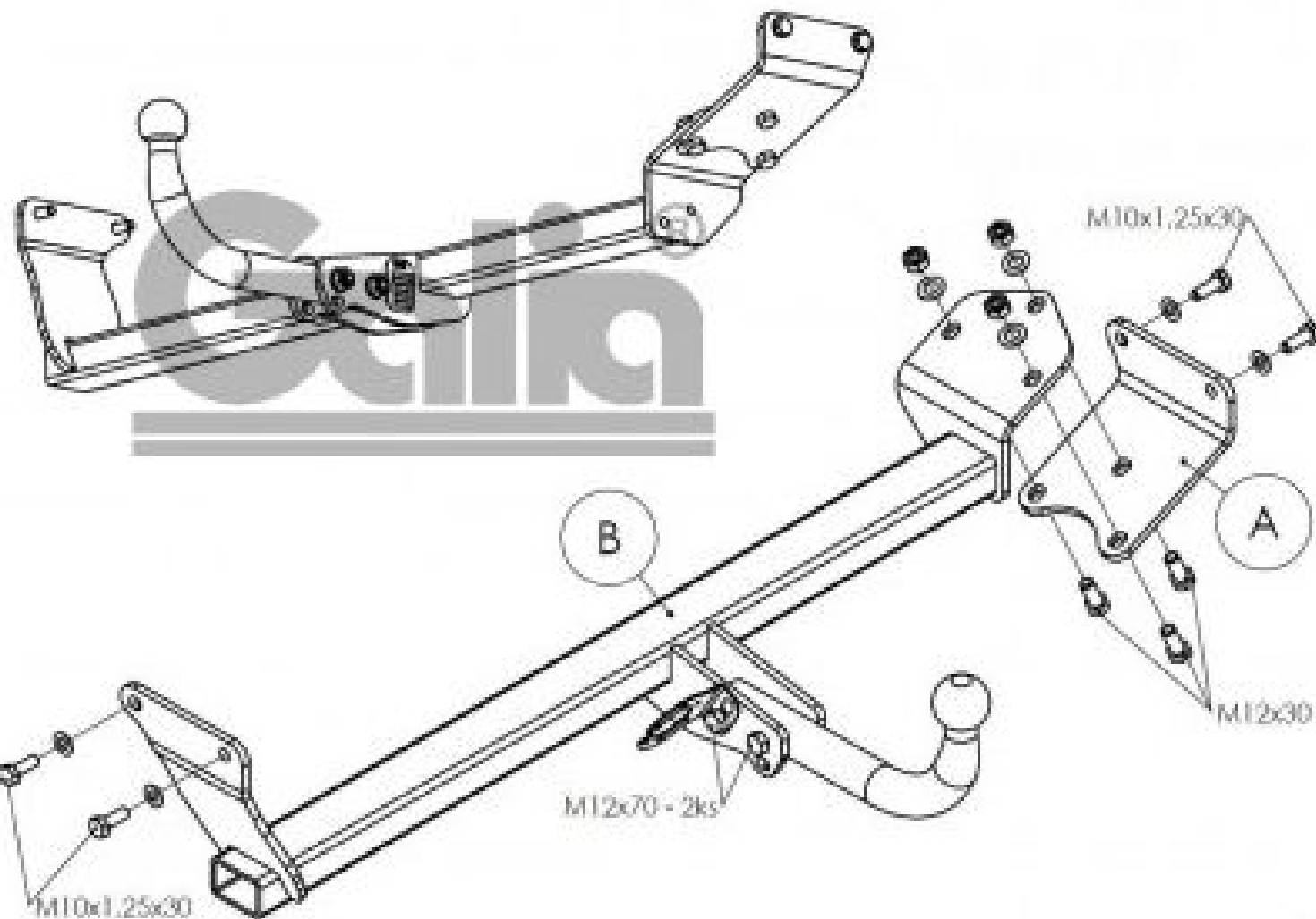


PP10 - 4ks
 PP12 - 5ks (A, I)
 PP12 - 7ks (C)

C



M12x19 - 3ks
 M12x21 - 1ks



M12x90 (10,9)
 110 Nm!

AIC 400 0 3

KIA PROCEED
 Kód: K0475(A,I,C) 22. 5. 2019

A