

M8x40 - 1ks

M12x35 - 8ks  
M12x70 - 2ks (A)  
M12x90 - 2ks (I)  
M12x19 - 4ks (C)



MS8 - 1ks



M12 - 6ks (A, I)  
M12 - 4ks (C)



P8 - 1ks

PP12 - 10ks (A, I)  
PP12 - 12ks (C)

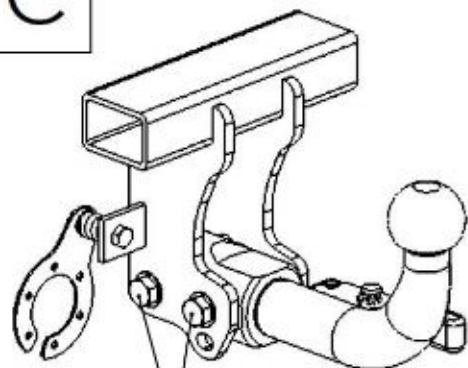


P13 - 4ks

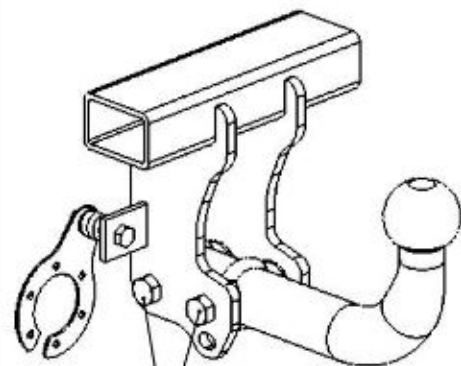


PR14 - 1ks

C



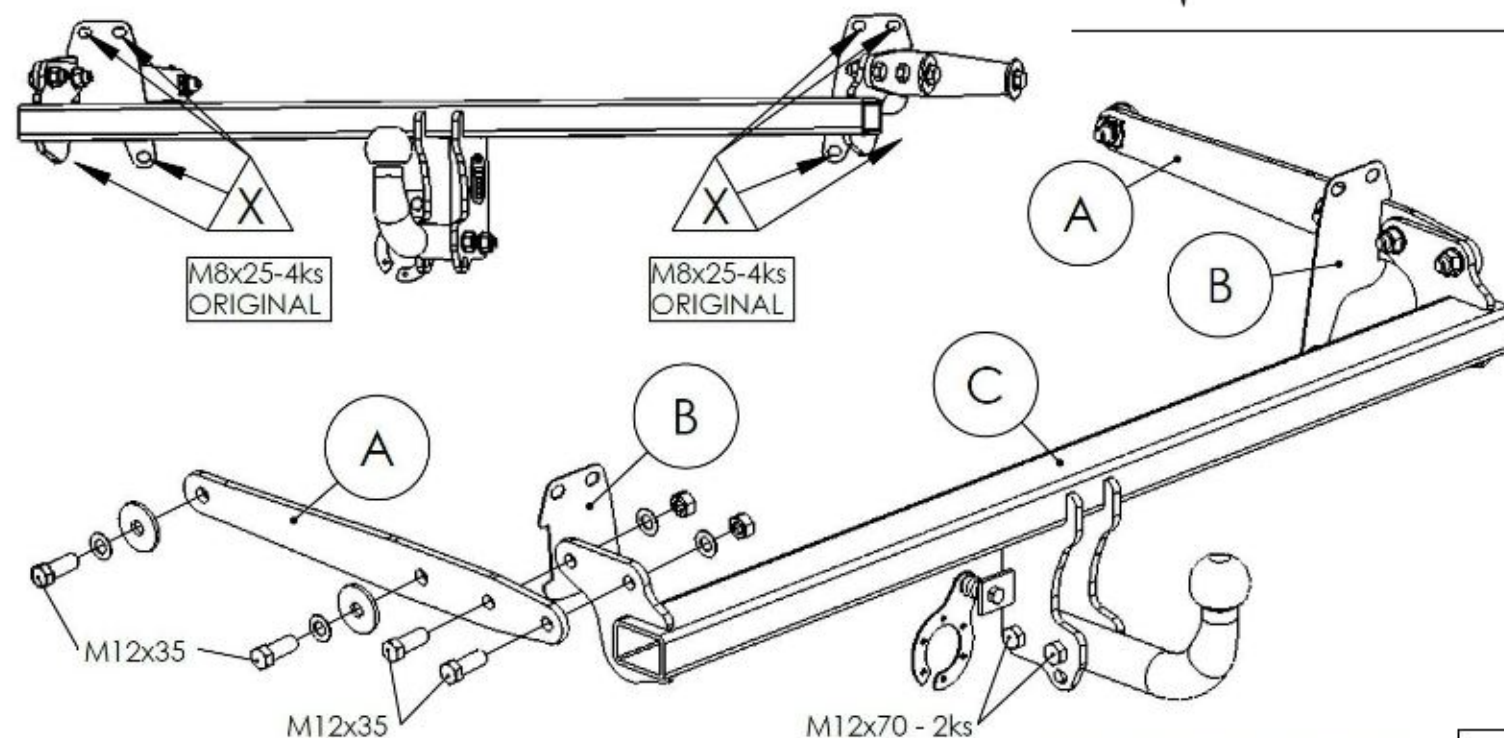
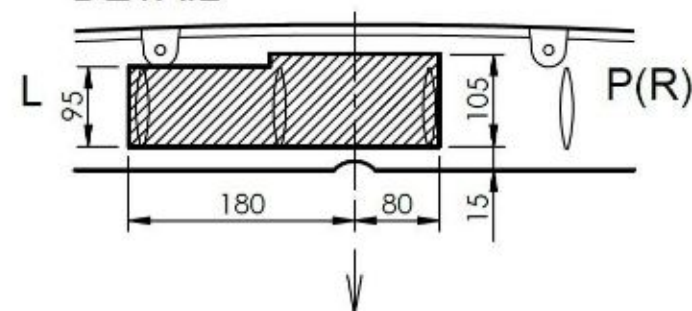
M12x19 - 4ks



M12x90 (10.9) - 2ks  
110 Nm!

I

DETAIL



AIC 325 0 2

LEXUS UX 200, LEXUS UX 250H  
Kód: L0265(A,I,C) - 4. 6. 2020

A