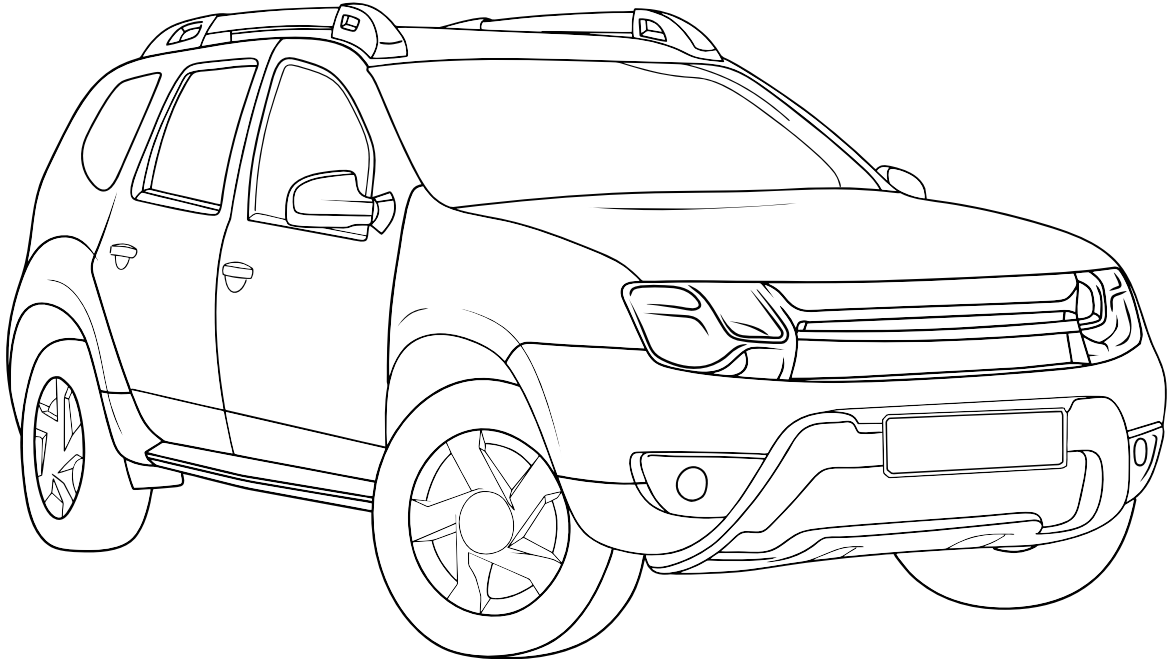


SC 71 105 011



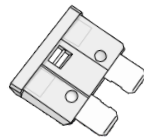
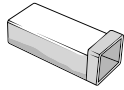
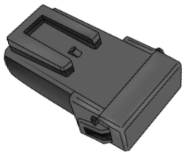
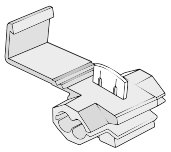
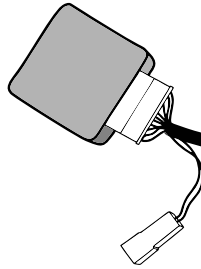
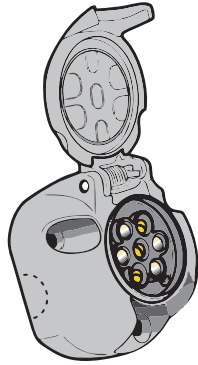
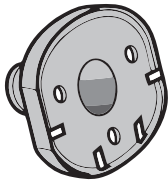
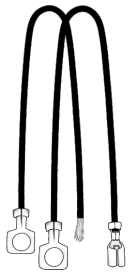
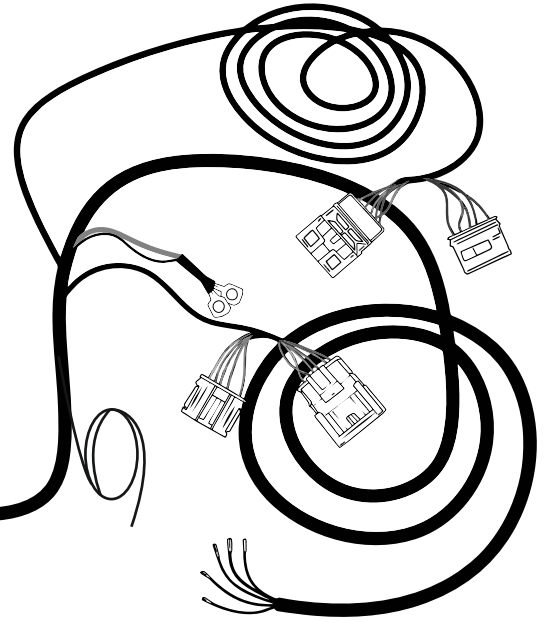
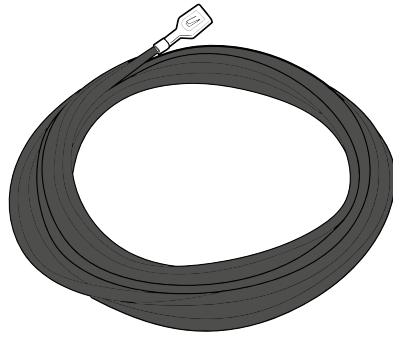
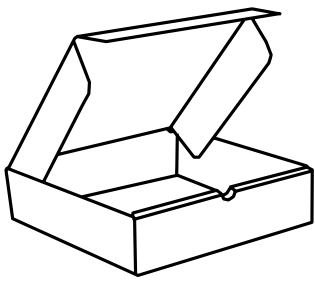
**7-**  
**( 9200-76)**



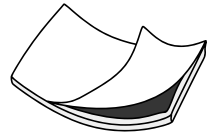
# Renault Duster 2015-2021

- 1. . , , .
- 2. . , , .
- 3. , , . , . , .
- 4. . , , .

!



3x

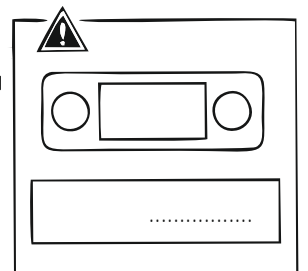
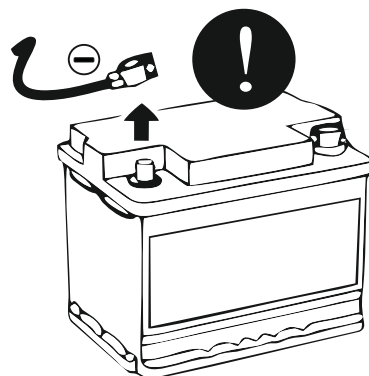


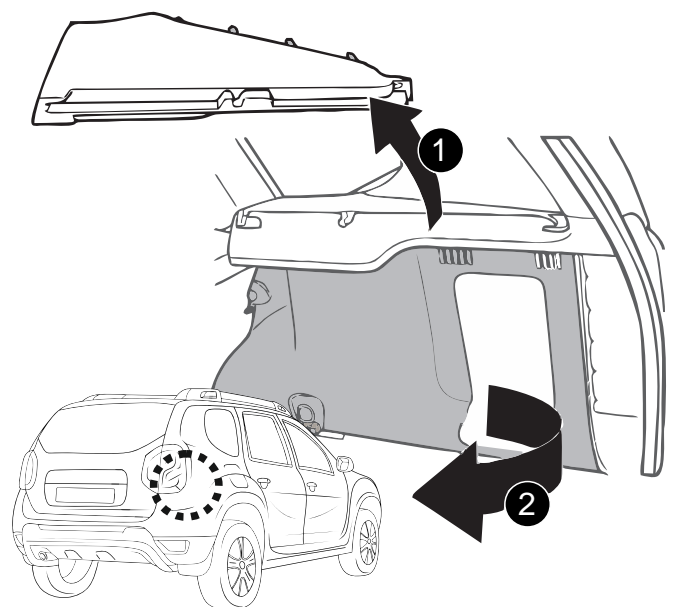
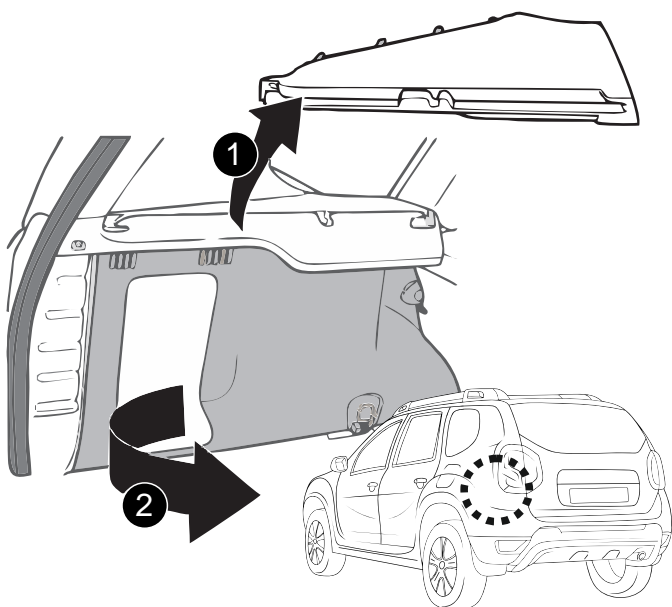
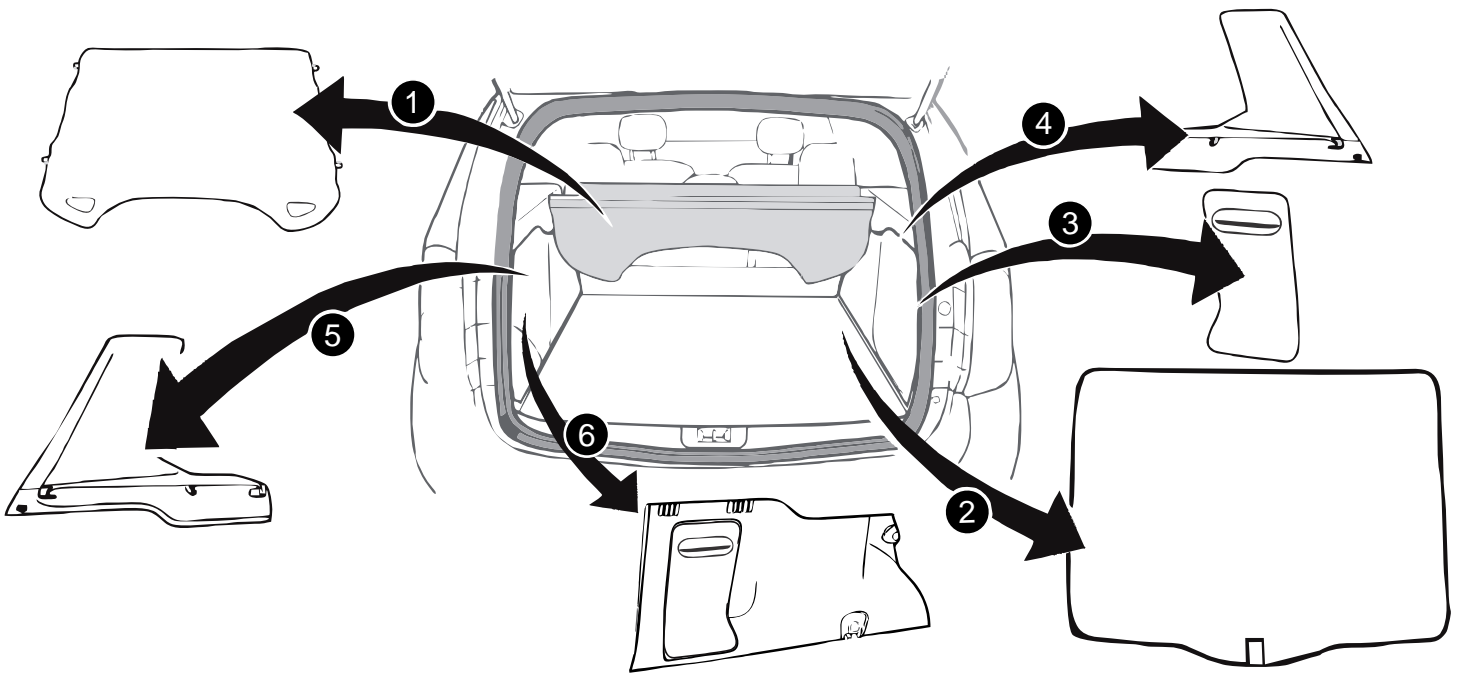
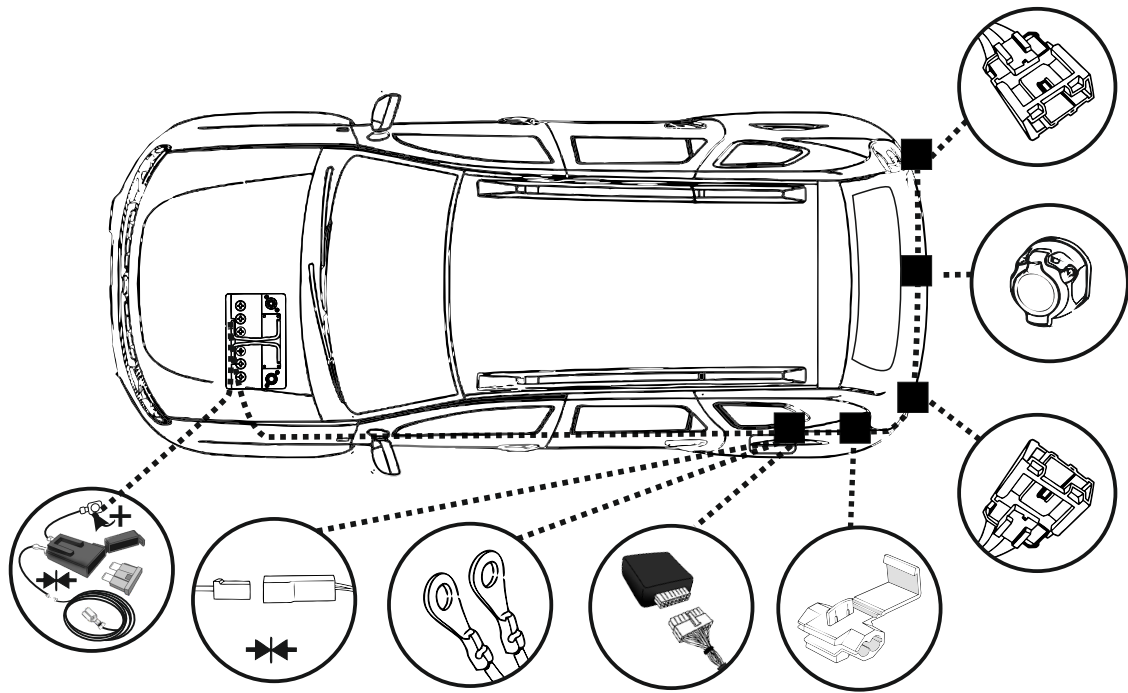
!

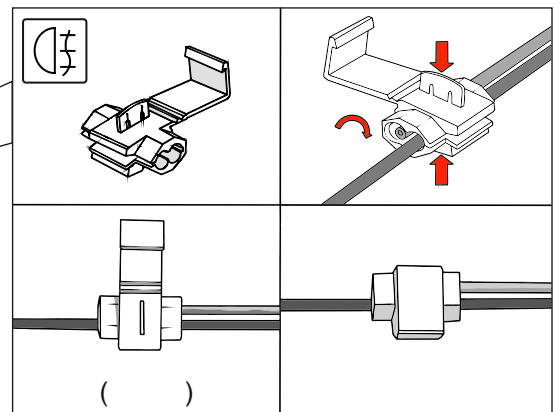
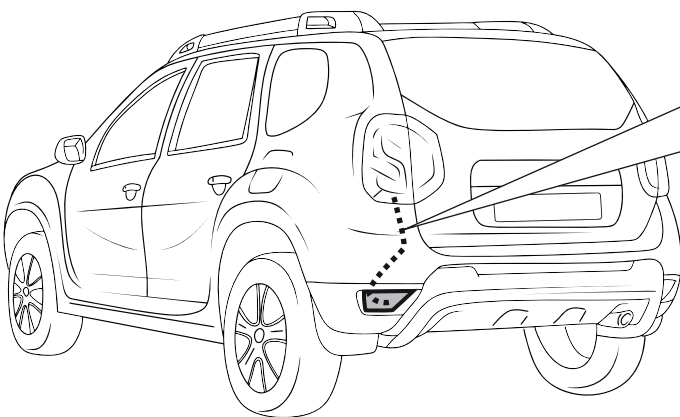
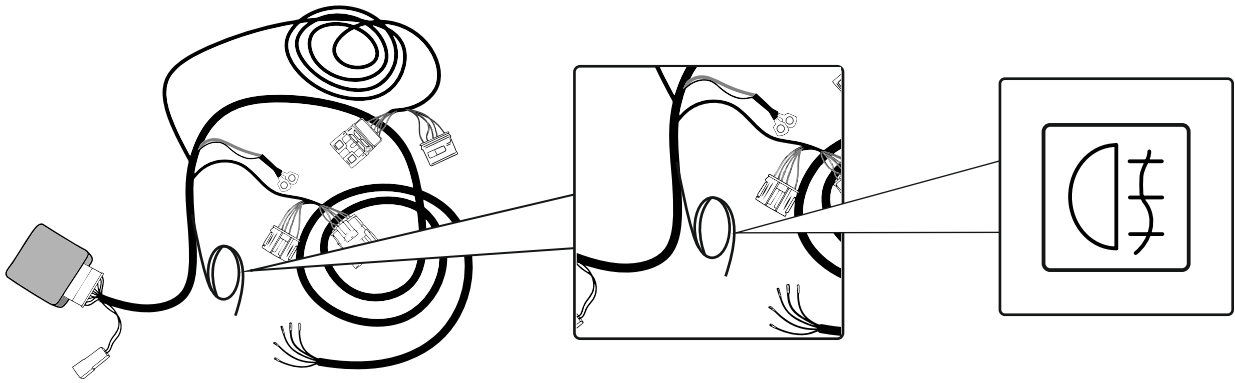
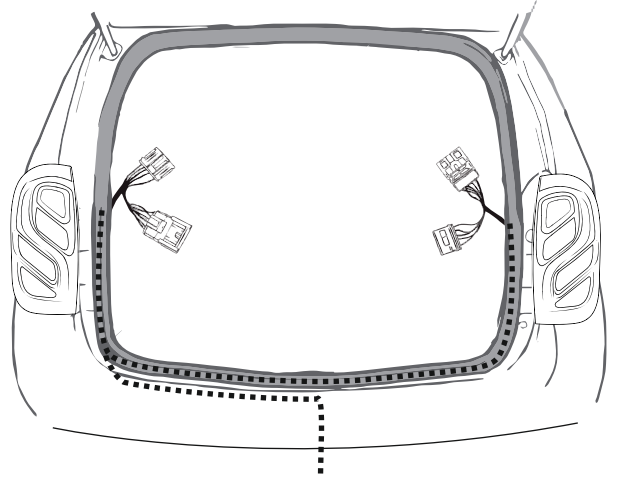
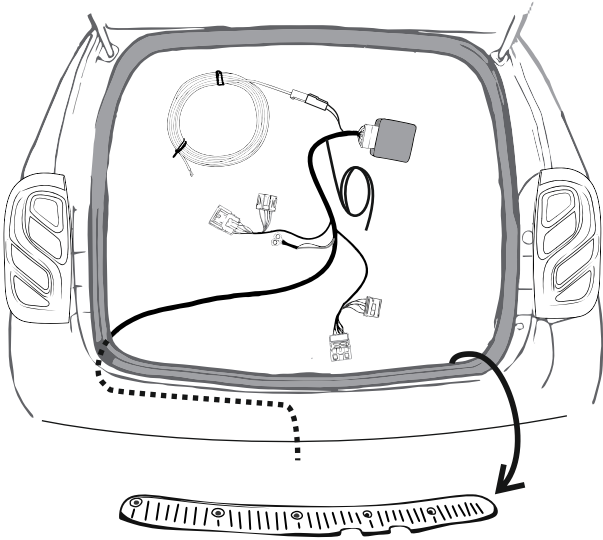
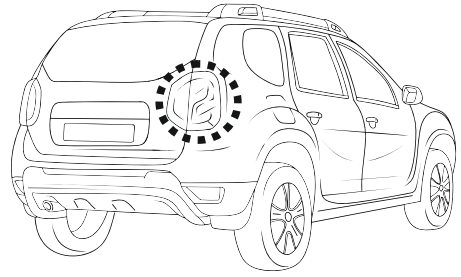
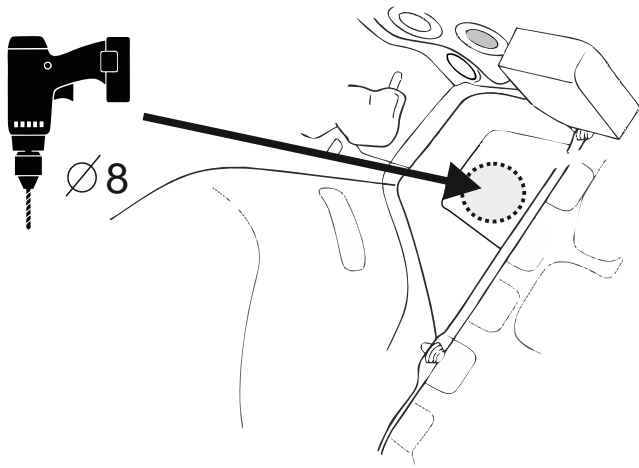
!

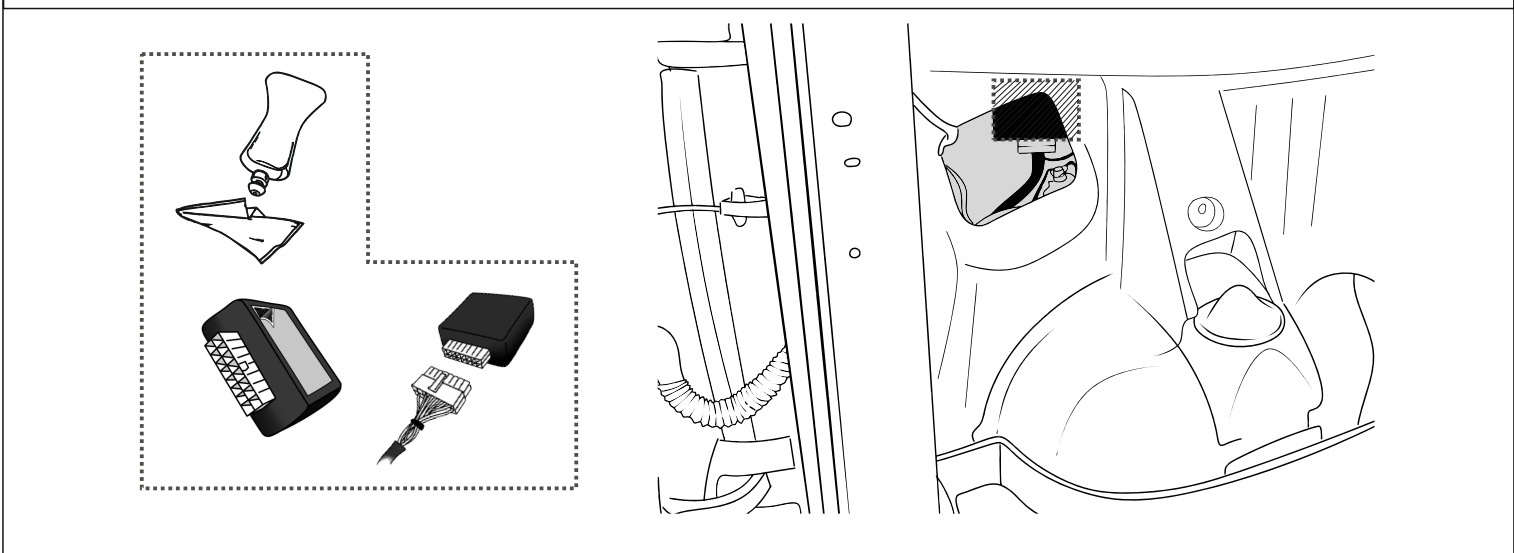
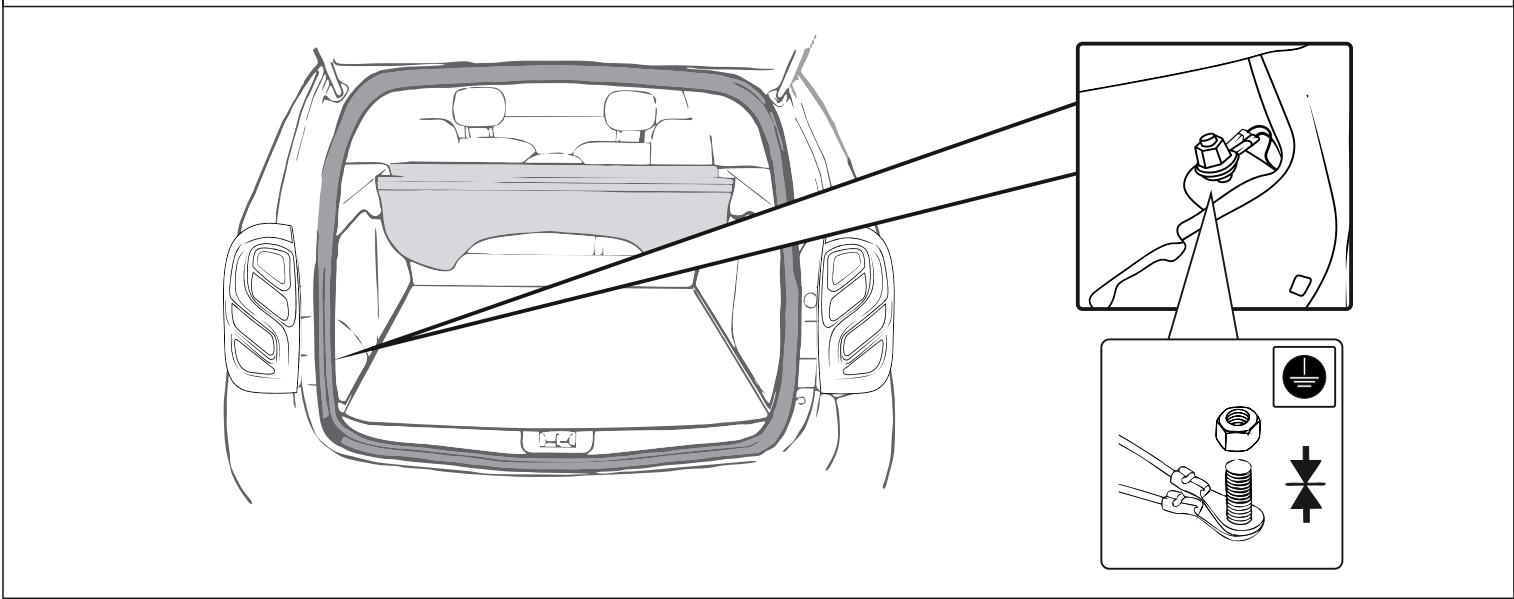
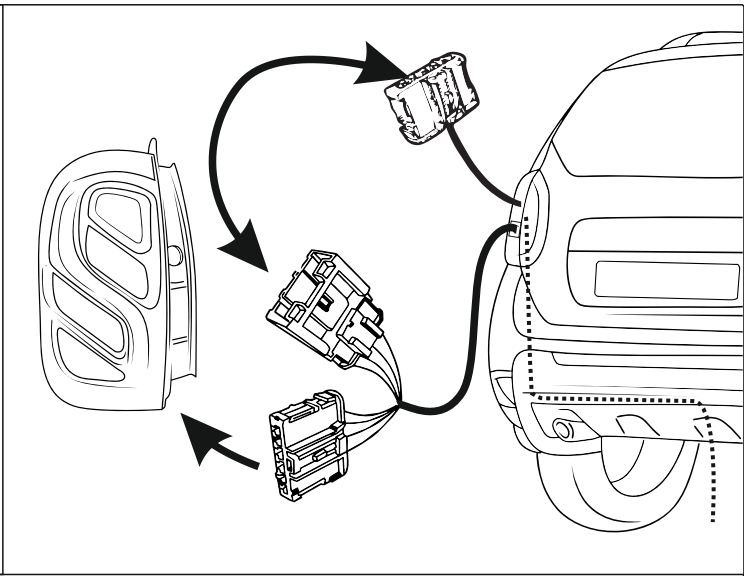
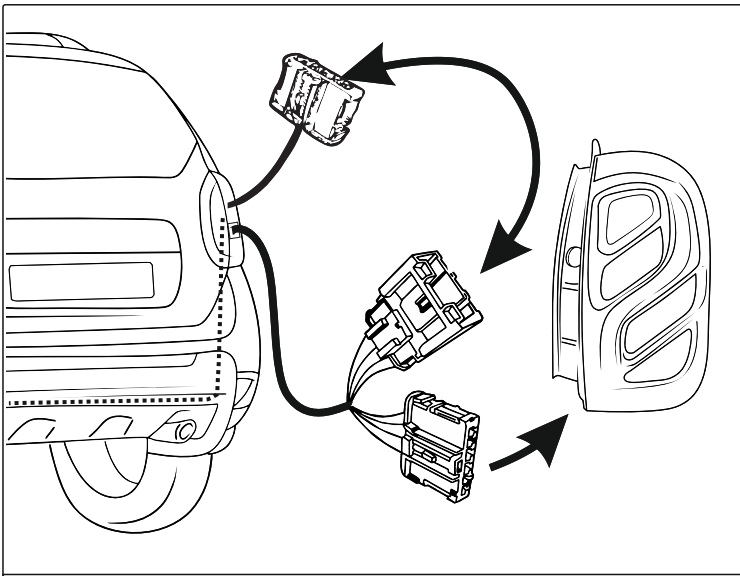
( ! CODE ( ) )

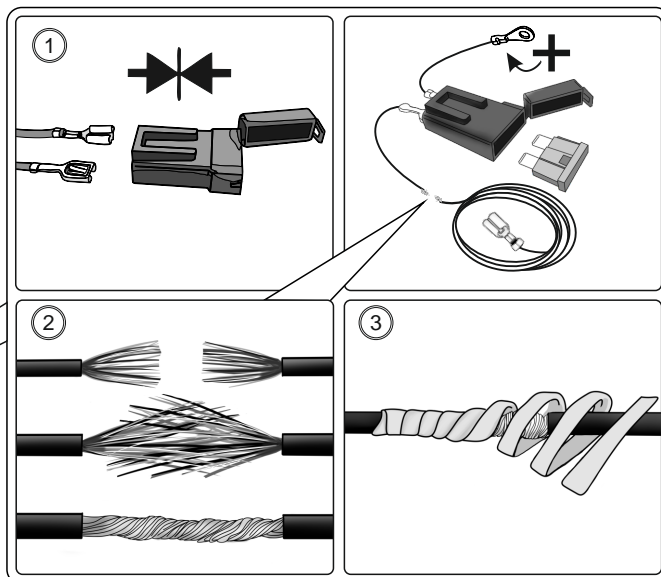
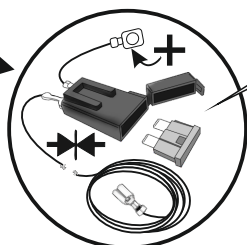
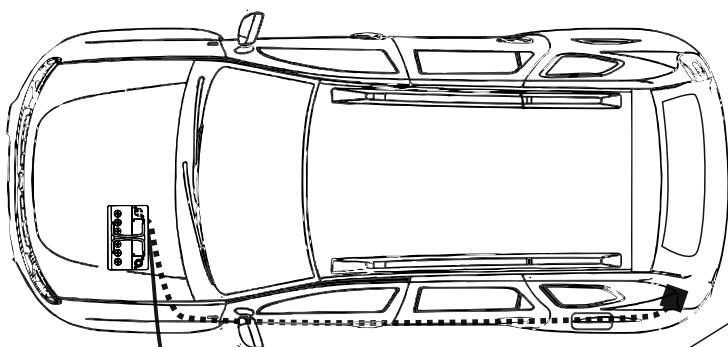
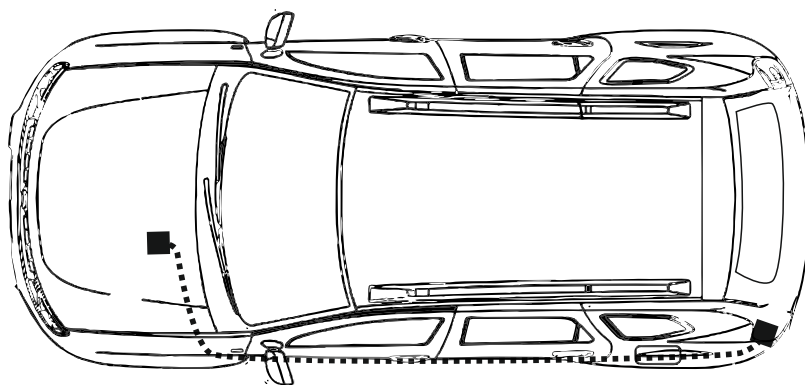
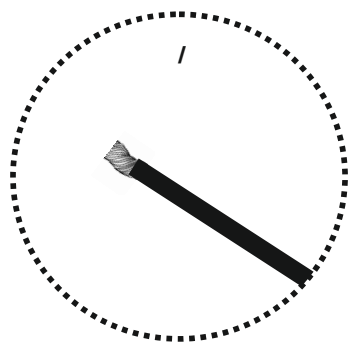
, CODE ( ) !





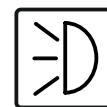
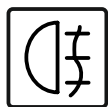






\*

9200-76



1/L

2

3/31

4/R

5/58-R

6/54

7/58-L

21W

2x21W

21W

21W

2x21W

21W

-

