

M8x45 - 2ks
 M10x1,25x60 - 6ks
 M12x35 - 6ks
 M12x70 - 2ks (A)
 M12x90 - 2ks (I)
 M12x19 - 3ks (C)
 M12x19 - 1ks (C)



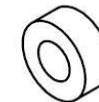
M8 - 2ks
 M12 - 8ks (A, I)
 M12 - 6ks (C)



PP8 - 2ks
 PP10 - 6ks
 PP12 - 8ks (A, I)
 PP12 - 10ks (C)

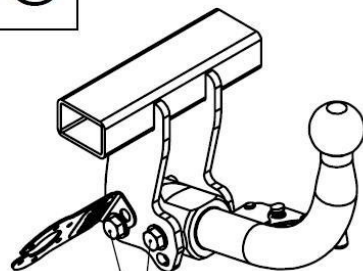


P9 - 2ks

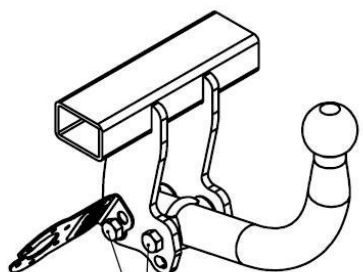


P20x8 - 2ks

C



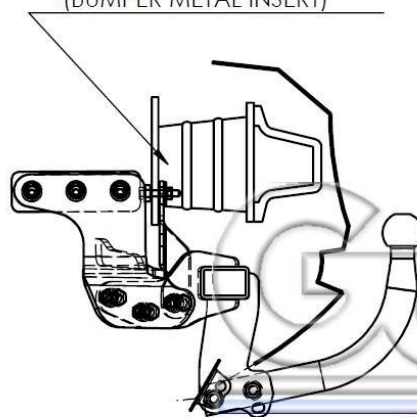
M12x19 - 3ks
 M12x21 - 1ks



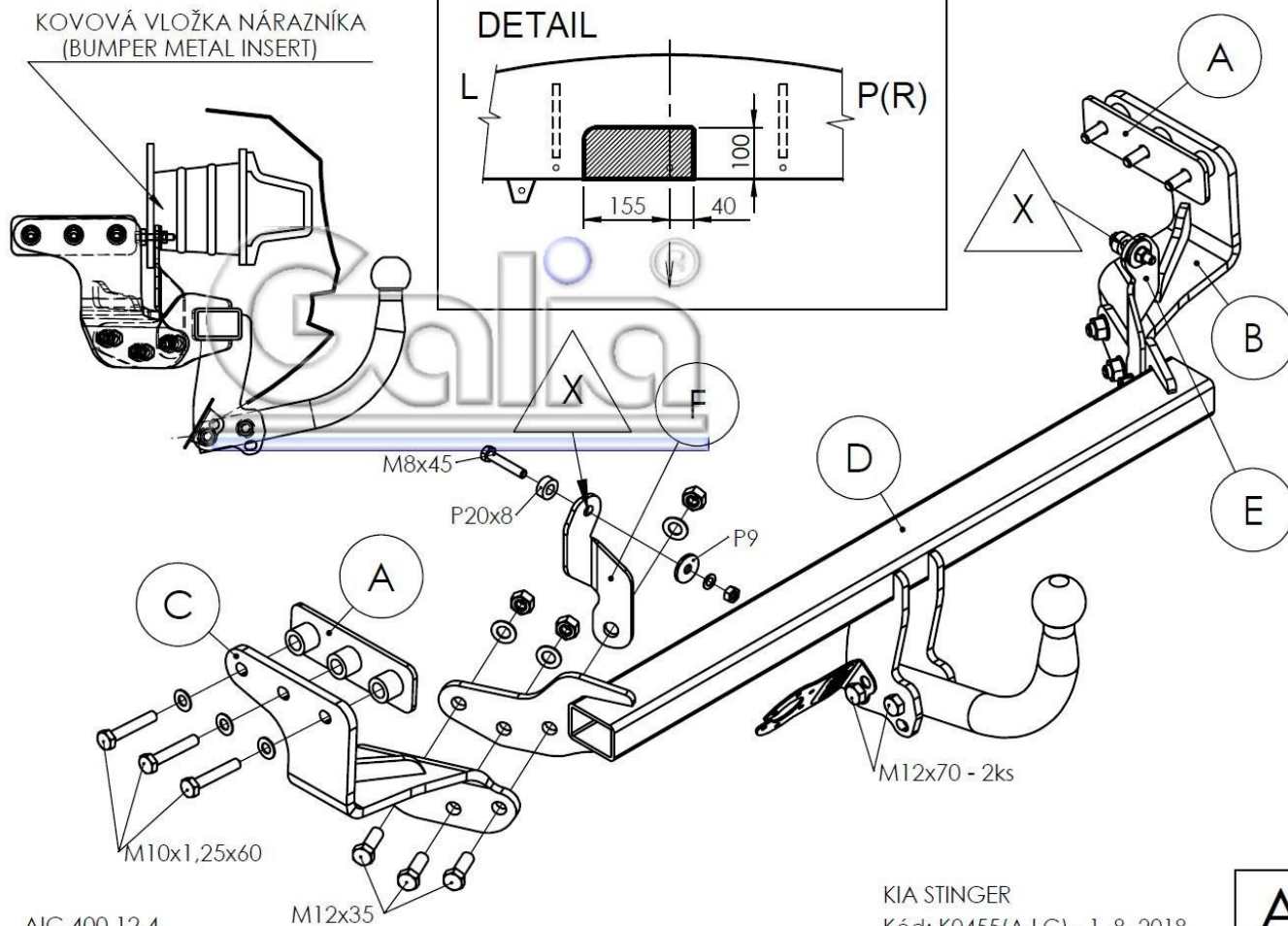
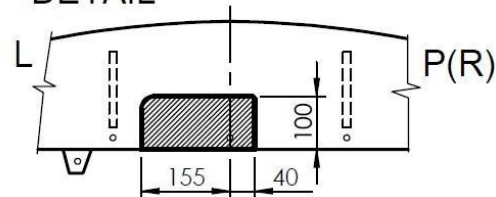
M12x90 (10.9) - 2ks
 110 Nm!

I

KOVOVÁ VLOŽKA NÁRAZNÍKA
 (BUMPER METAL INSERT)



DETAIL



M8x45

P20x8

P9

M12x70 - 2ks

M10x1,25x60

M12x35

AIC 400 12 4

KIA STINGER

Kód: K0455(A,I,C) - 1. 8. 2018

A