

M10x35 - 4ks
 M12x70 - 2ks (A)
 M12x90 - 2ks (I)
 M12x19 - 3ks (C)
 M12x21 - 1ks (C)



M12 - 2ks (A, I)



PP10 - 4ks
 PP12 - 2ks (A, I)
 PP12 - 4ks (C)

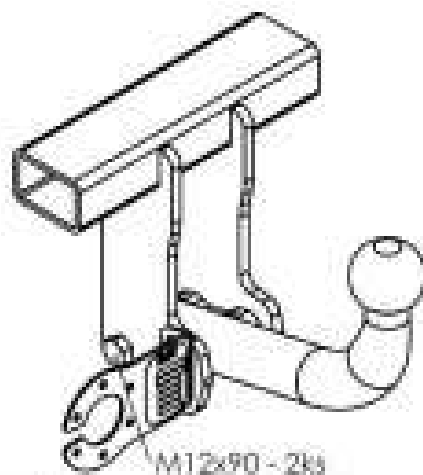
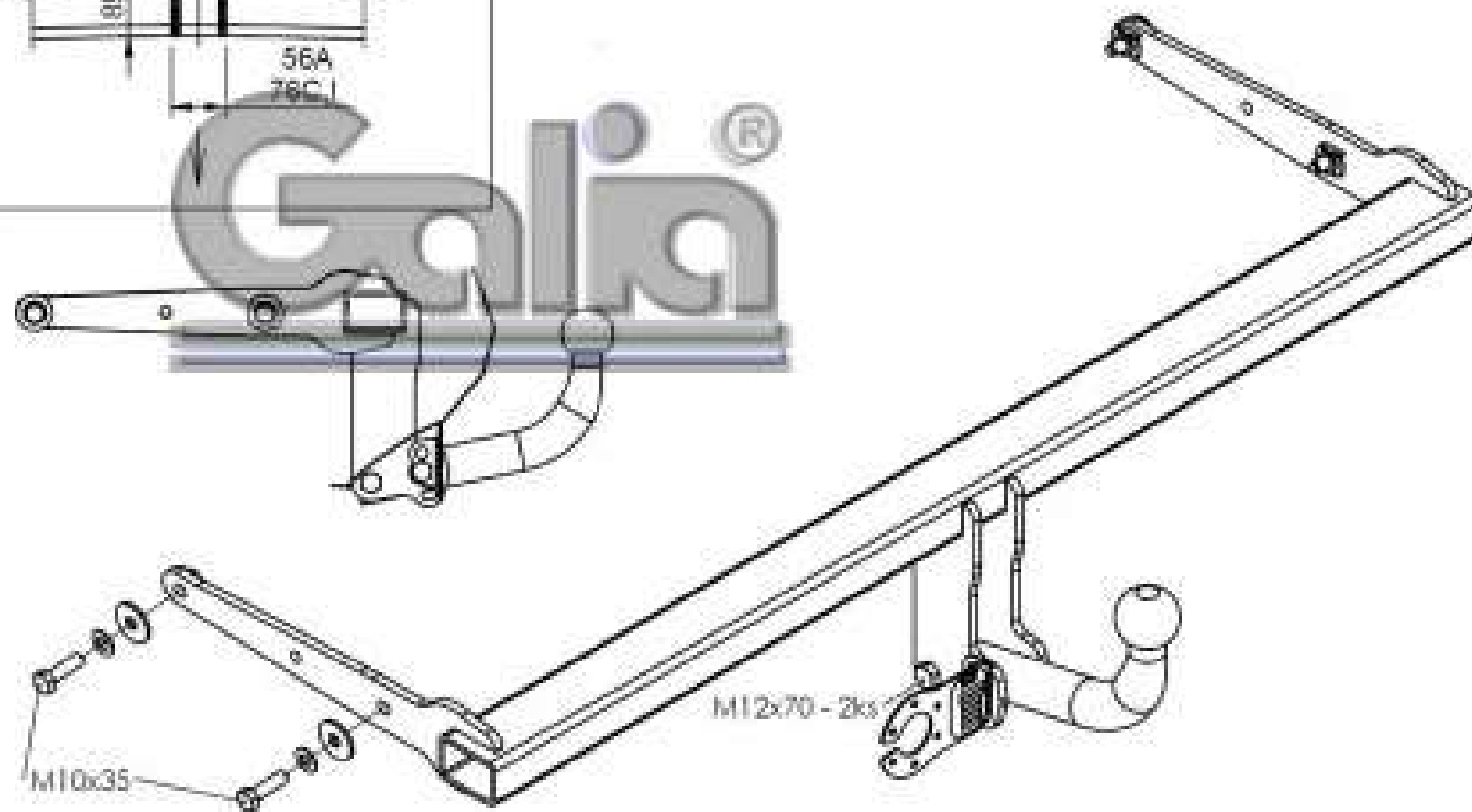


P11 - 4ks

C



DETAIL



I

AIC 325 122

SEAT LEON ST KOMBI
 Kód: S1085(A,I,C) 4.6.2014

A