

M10x1,25x25 - 6ks
M12x30 - 4ks
M12x90 - 2ks (I)
M12x19 - 3ks (C)
M12x21 - 1ks (C)

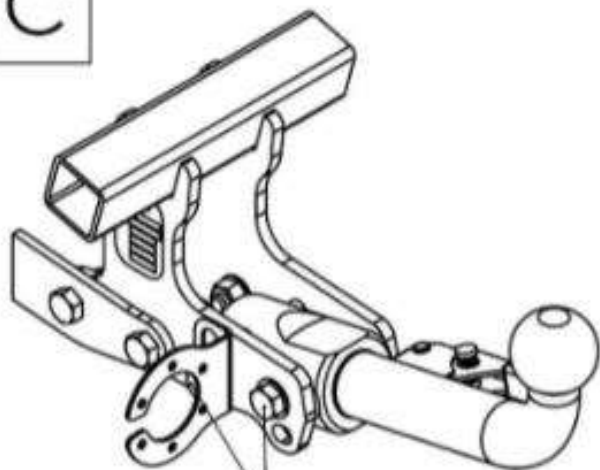


M12 - 6ks (I)
M12 - 4ks (C)



PP10 - 6ks
PP12 - 6ks (I)
PP12 - 8ks (C)

C



M12x19 - 3ks
M12x21 - 1ks

