

M8x40 - 1ks

M12x30 - 4ks
M12x1,25x40 - 4ks
M12x70 - 2ks (A)
M12x90 - 2ks (I)
M12x19 - 4ks (C)



MS8 - 1ks



M12 - 6ks (A, I)
M12 - 4ks (C)



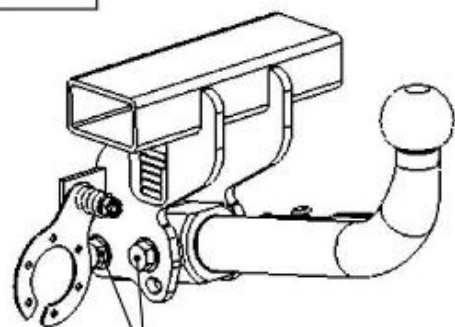
P8 - 1ks

PP12 - 10ks (A, I)
PP12 - 12ks (C)



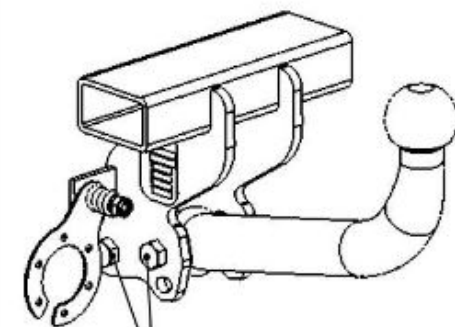
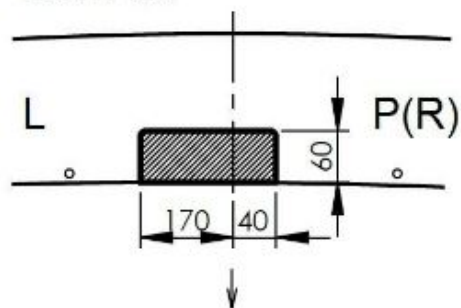
PR14 - 1ks

C

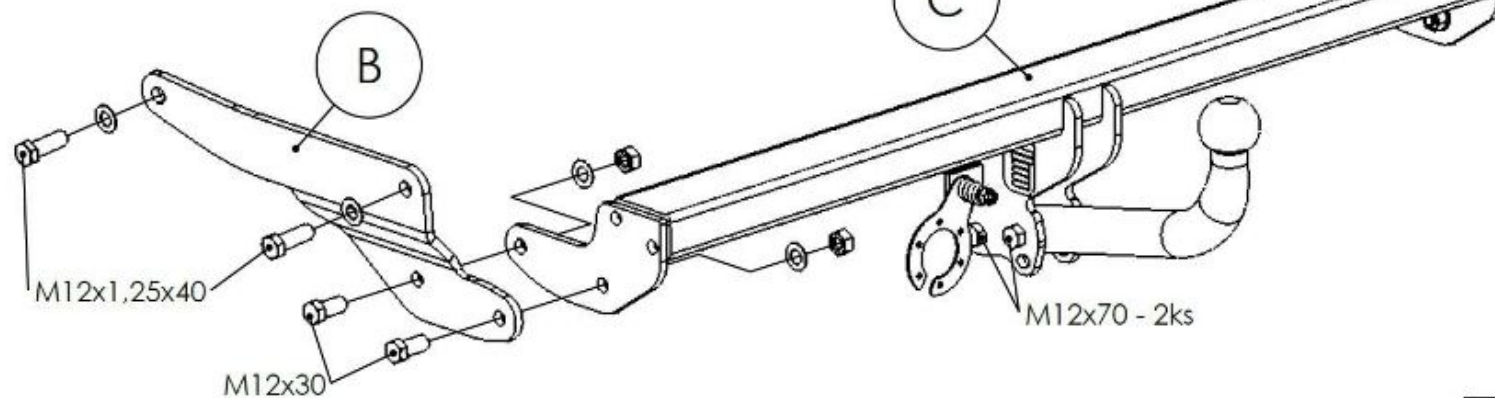


M12x19 - 4ks

DETAIL



M12x90 (10.9) - 2ks
110 Nm!



M12x1,25x40

M12x30

M12x70 - 2ks

I

AIC 400 12 2

MAZDA 6, MAZDA 6 KOMBI
Kód: M1405(A,I,C) - 8. 12. 2019

A