

There is no trailer without us!



PRODUCT CATALOGUE



If you build a trailer, if you fix one, you will find anything you need at **KNOTT-AUTOFLEX!**

A big range of high quality trailer parts, even customized, for more than **35 years.**



KNOTT 
AUTOFLEX INC.



TORSION AXLES	5
HUBS	17
SPINDLES	21
UNBRAKED SPRING AXLES	27
ELECTRIC BRAKED AXLES	39
AGRICULTURAL AXLES	43
SPIRAL SPRING AXLES	49
BRAKES	53
ACTUATORS	63
TONGUE JACKS, STANDS	67
COUPLERS	77
WINCHES	89
ROLLERS	99
VEHICLE FASTENERS, ACCESSORIES	111
FENDERS	125

UNBRAKED AXLES

Operation principle of the rubber torsion axles

Advantages of using the 4 pieces torsion rubbers of 90 degrees:

- correct guideline
- stable underpinning
- inner self-damping
- precisely adjustable spring power

The mounted swing arm - with non braked or overrun braked wheel hub (and with wheel) - is assembled onto the unsupported end of the inner axle stub.

In case of rubber torsion axles, the axle of the swing arm (square tube) is turned away with 90 degrees in the square profile of the axle body and elastically supported with the 4 pieces torsion rubbers.

These originally round-profiled rubber bars are placed in the edges of the square-form axle body - filling the space there - a bit deformed.

The suspension process

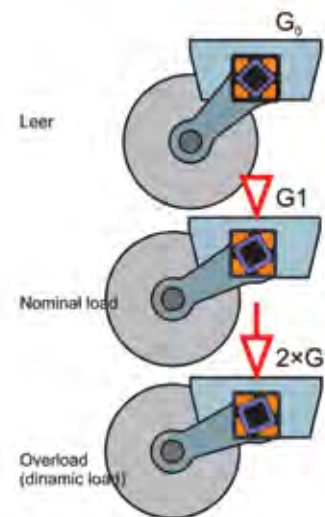
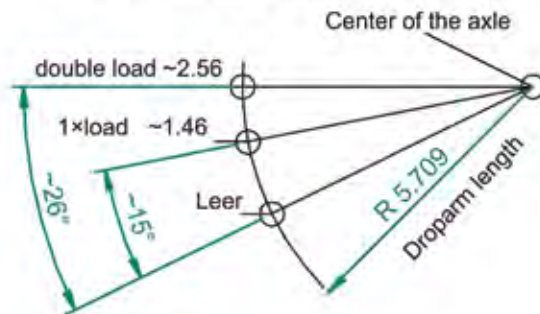
As a result of the stress, the swing arm will be turned inside the axle body profile and therefore the rubber bars will be flexibly deformed.

When the stress stops, the rubber elements will regain their original shape, which results the swing arm to return in its basic position.

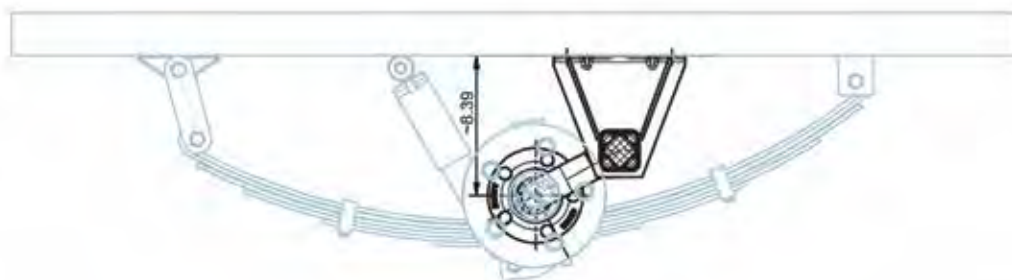
The frictional force between the rubber elements and the square tube (inside, outside) and the internal resistance of the rubber elements result sufficient damping while suspending.

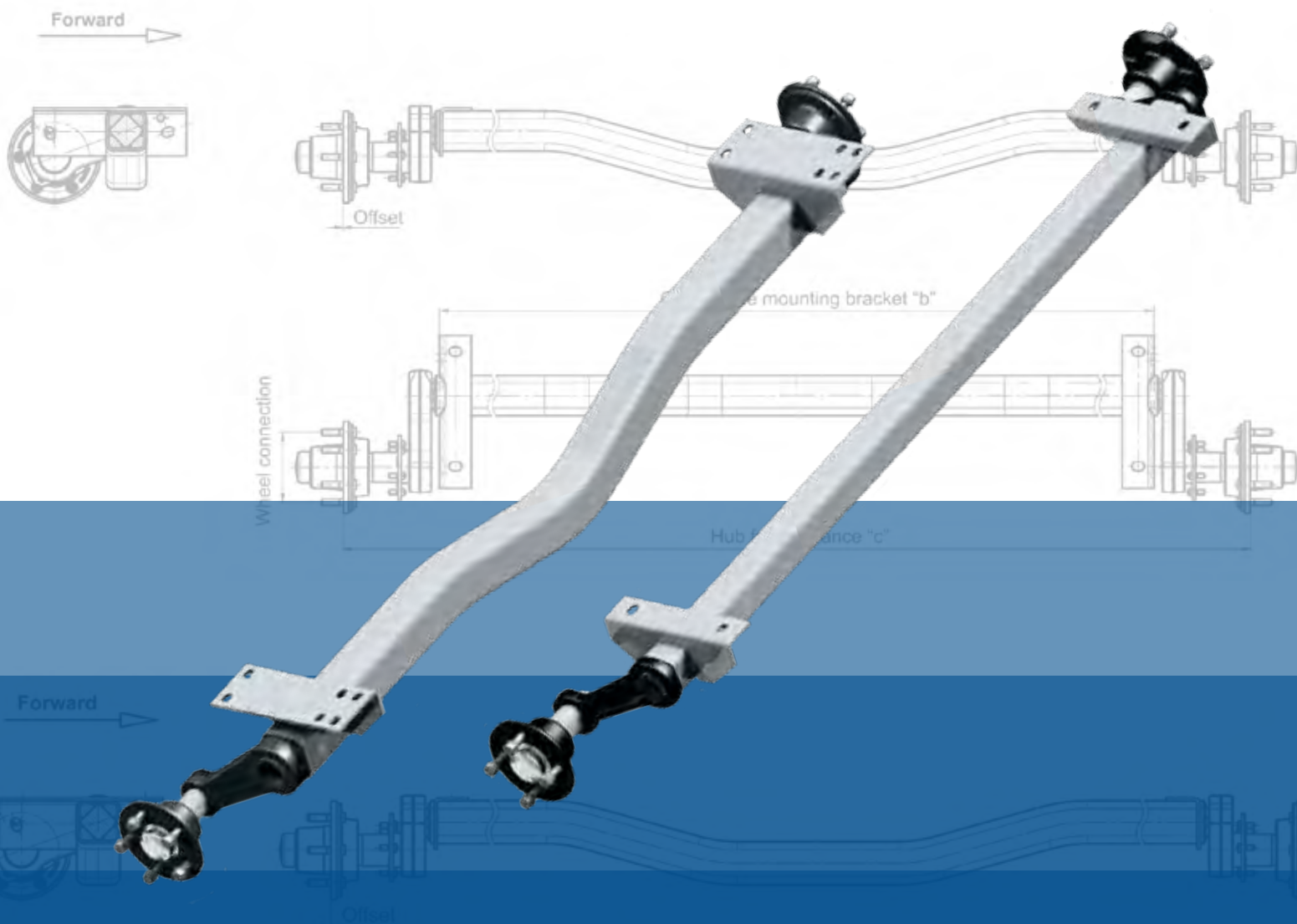
The suspension power can be ruled by the length of the rubber bars and by the content of the rubber mixture.

Suspension diagram



Comparative chart of mounting the axle with leaf spring and with rubber torsion elements





UNBRAKED TORSION AXLES

Unbraked rubber suspension axle

The product can be used for:

- jet skis
- snow-mobiles
- generators and light tower trailers
- boat trailers
- utility trailers
- horse trailers

Standard surface treatment:

- hot dip galvanization

Load capacity:

- 1500 lbs - 12000 lbs

Bearing type:

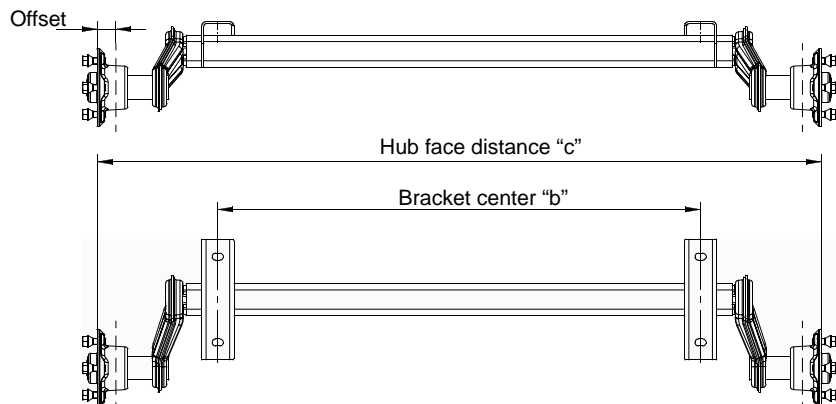
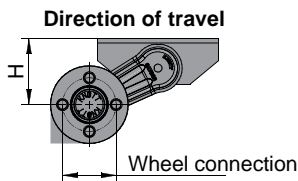
- conical bearing
- compact bearing

The product package includes:

- rubber torsion axle and type plate
- hub
- drop arm

If you are interested in our product, please give the following parameters to our sales personnel to enable us to choose the best version for you suited to your needs:

- **c, b size**
- **Load capacity**
- **Wheel connection**
- **Offset**



Unbraked rubber suspension bended axle

The product can be used for :

- boat trailers

Surface treatment:

- hot-dip galvanization

Bearing type:

- conical bearing
- compact bearing

Advantages:

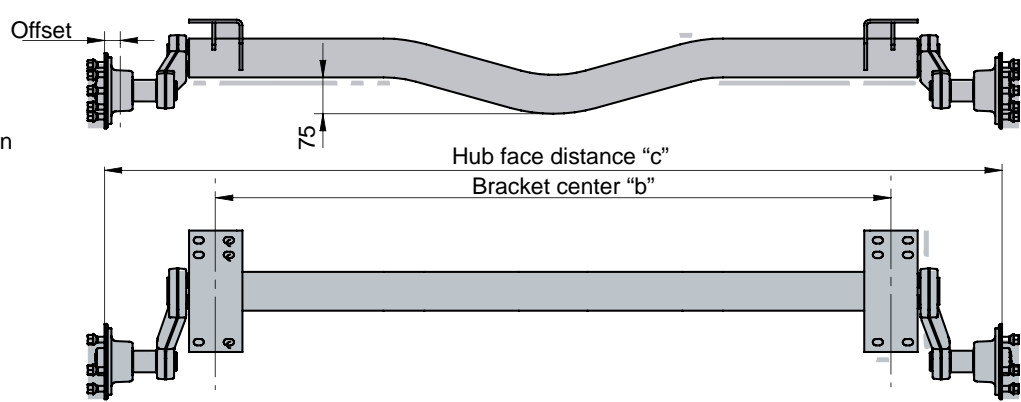
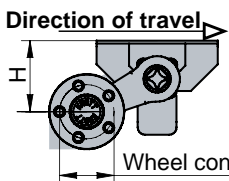
The new design allows an easier transportation of boats and other vehicles.
The lower centre of gravity makes it more stable.



If you are interested in our product, please give the following parameters to our sales personnel to enable us to choose the best version for you suited to your needs:

- **c, b size**
- **Load capacity**
- **Wheel connection**
- **Offset**

Method	Symbol	Salt spray testing result (h)
Powder Coating	P	300 h
Galvanization	G	> 500 h
Galvanization & powder coating	G&P	700 h
E-coating	E	> 800 h
Hot dip galvanization	HG	> 1000 h
E-coating & powder coating	E&P	> 1000 h

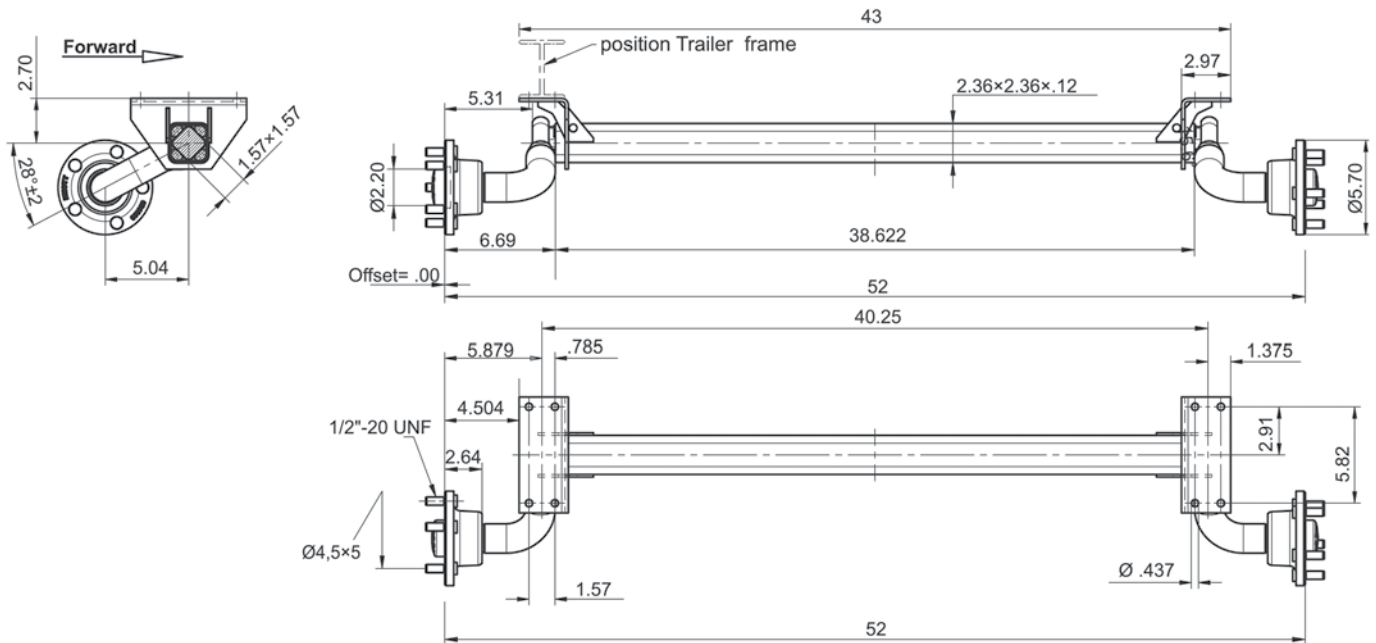


Rubber torsion axle 1500 lbs - compact bearing



Load capacity (lbs)

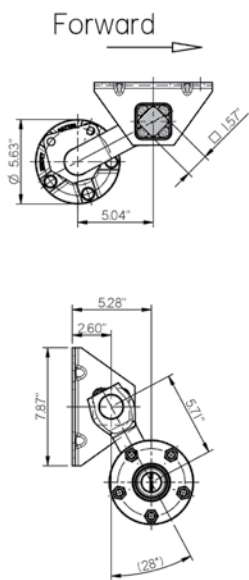
1500



Rubber torsion axle 1500 lbs - conical bearing

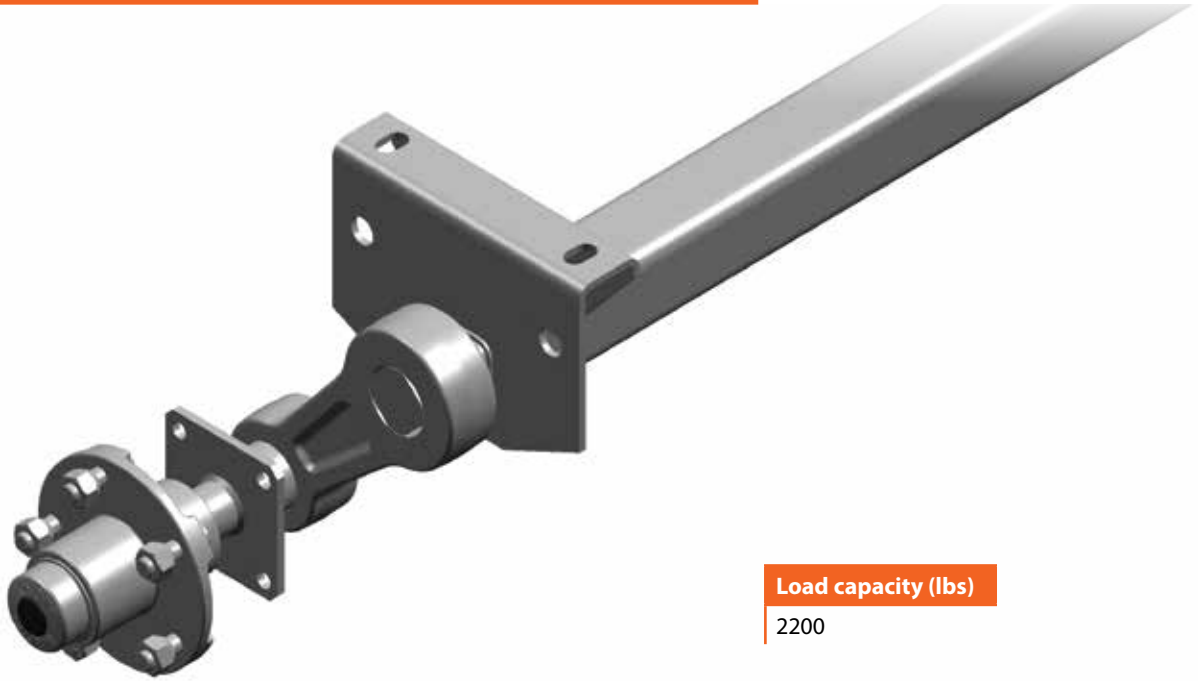


Load capacity (lbs)
1500



Rubber torsion axle

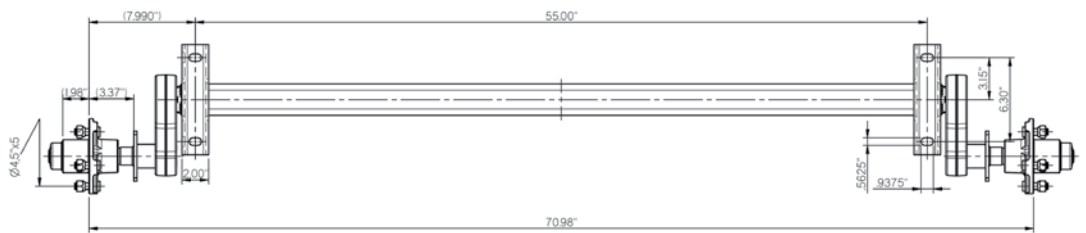
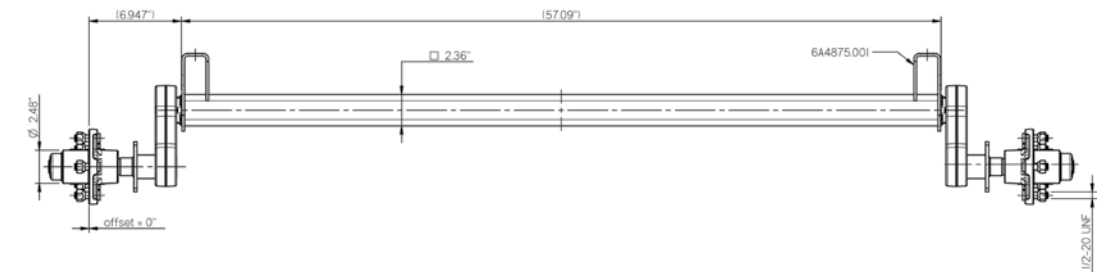
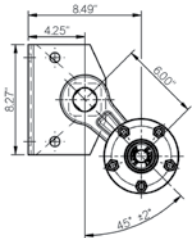
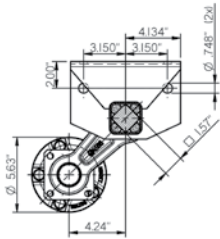
2200 lbs



Load capacity (lbs)

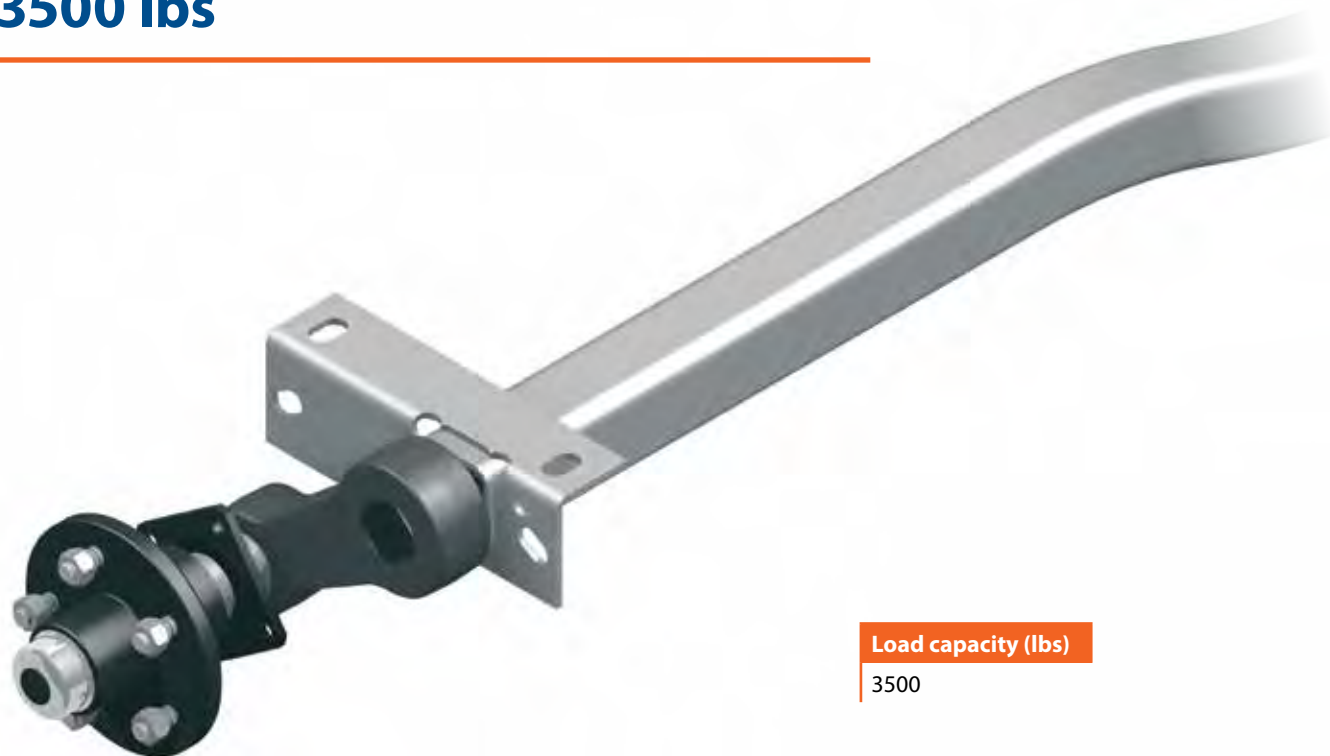
2200

Forward

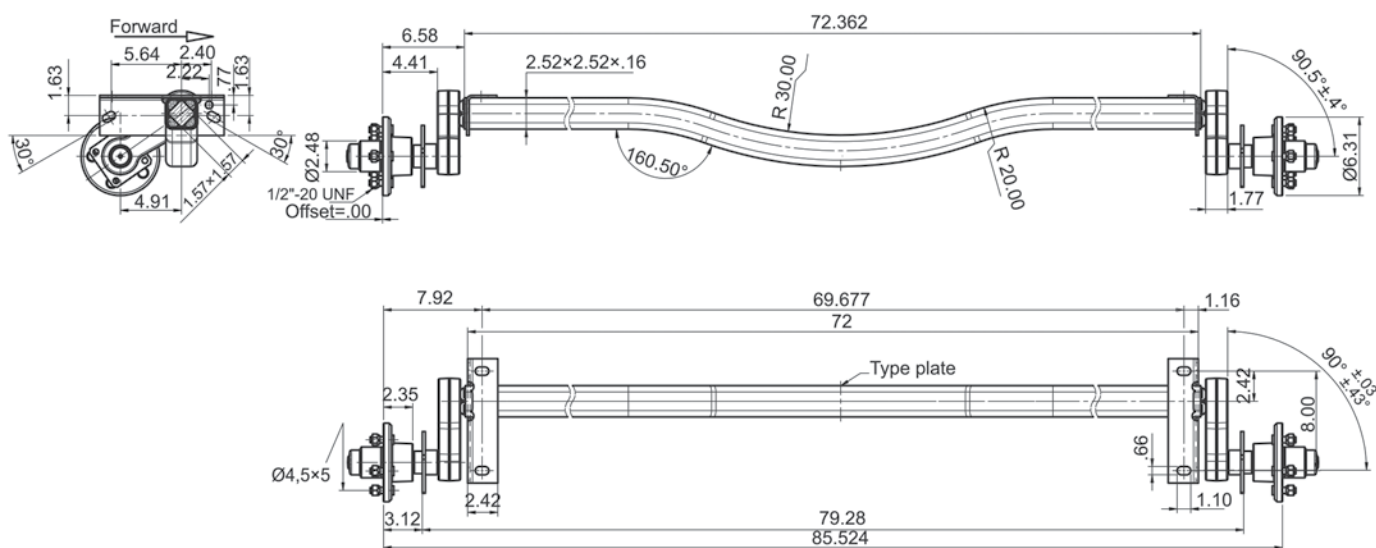


Rubber torsion axle

3500 lbs



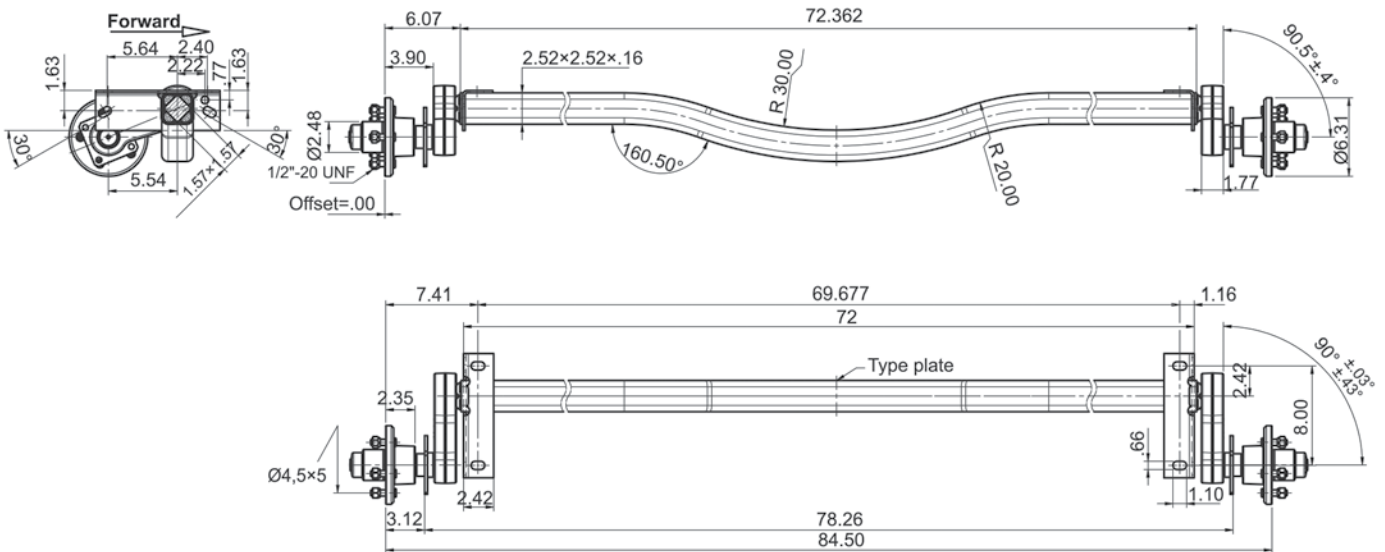
Load capacity (lbs)
3500



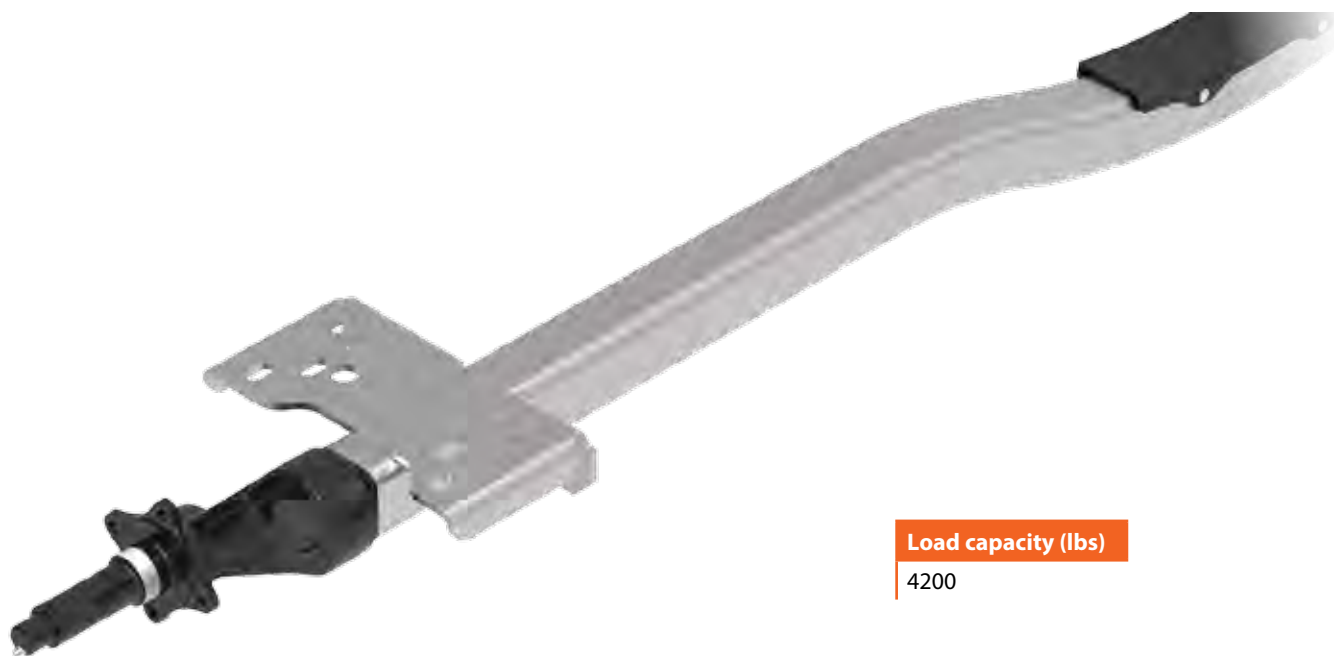
Rubber torsion axle 3500 lbs

Load capacity (lbs)

3500

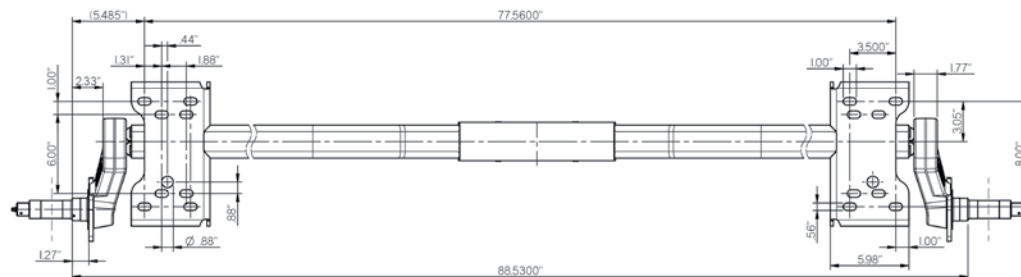
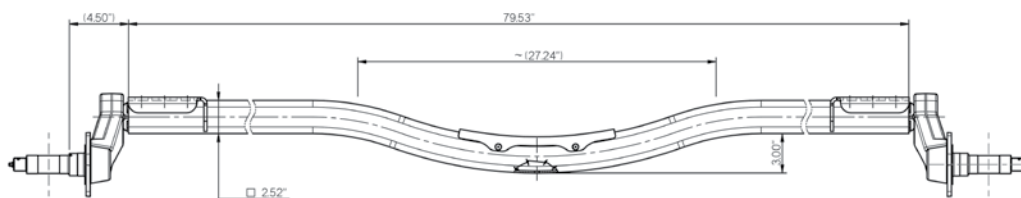
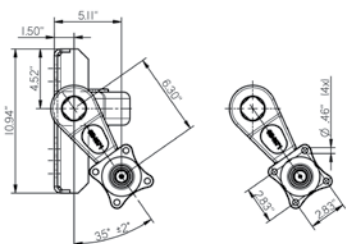
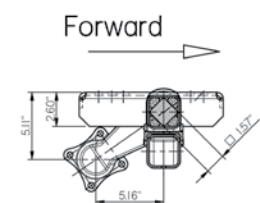


Rubber torsion axle 4200 lbs



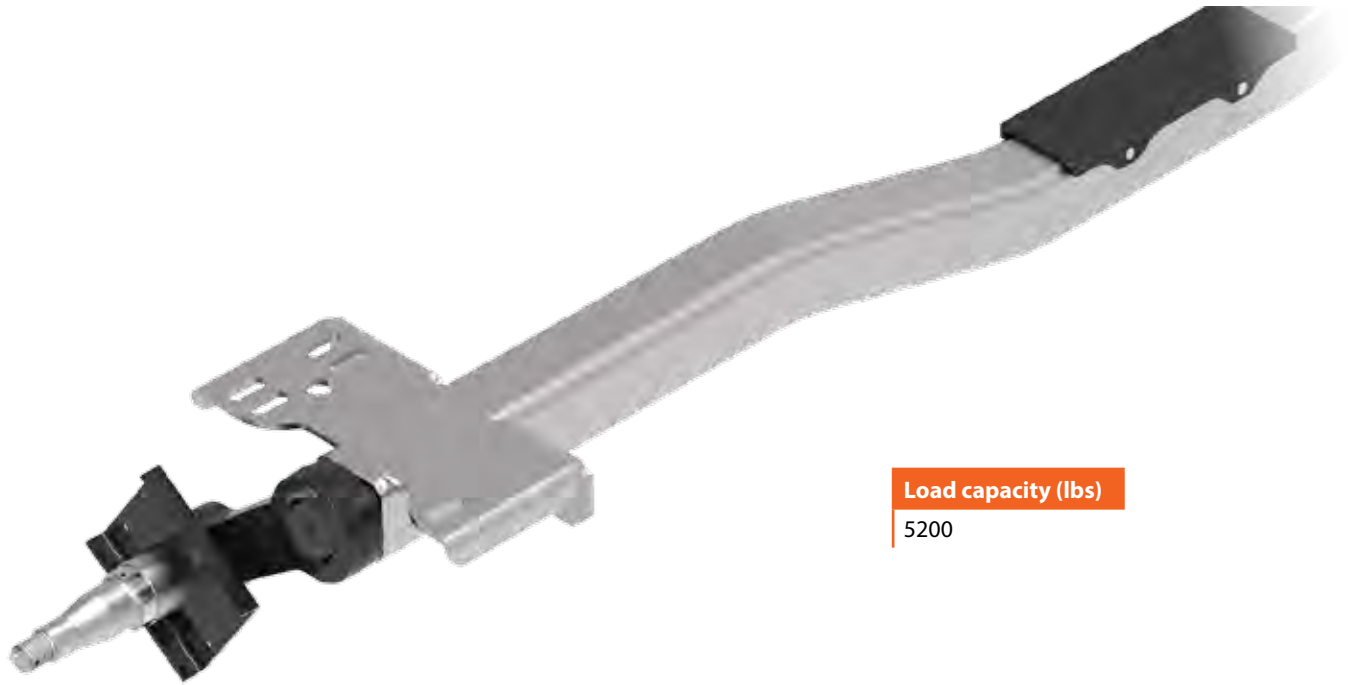
Load capacity (lbs)

4200



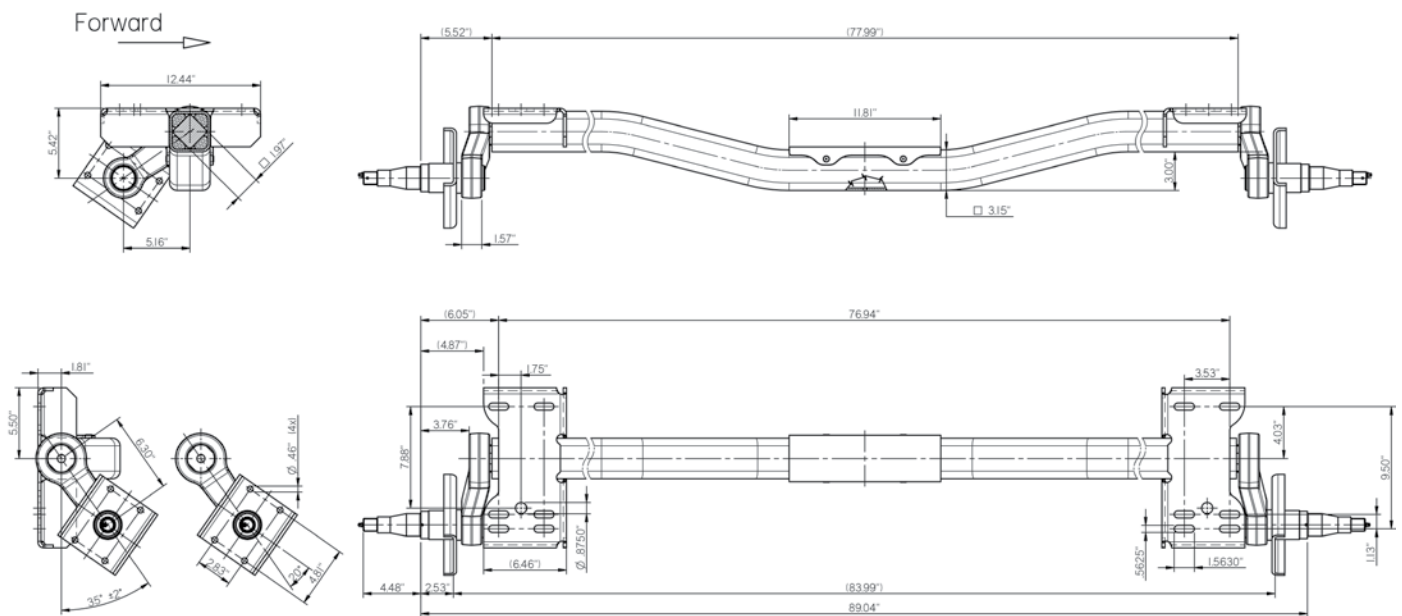
Rubber torsion axle

5200 lbs



Load capacity (lbs)

5200

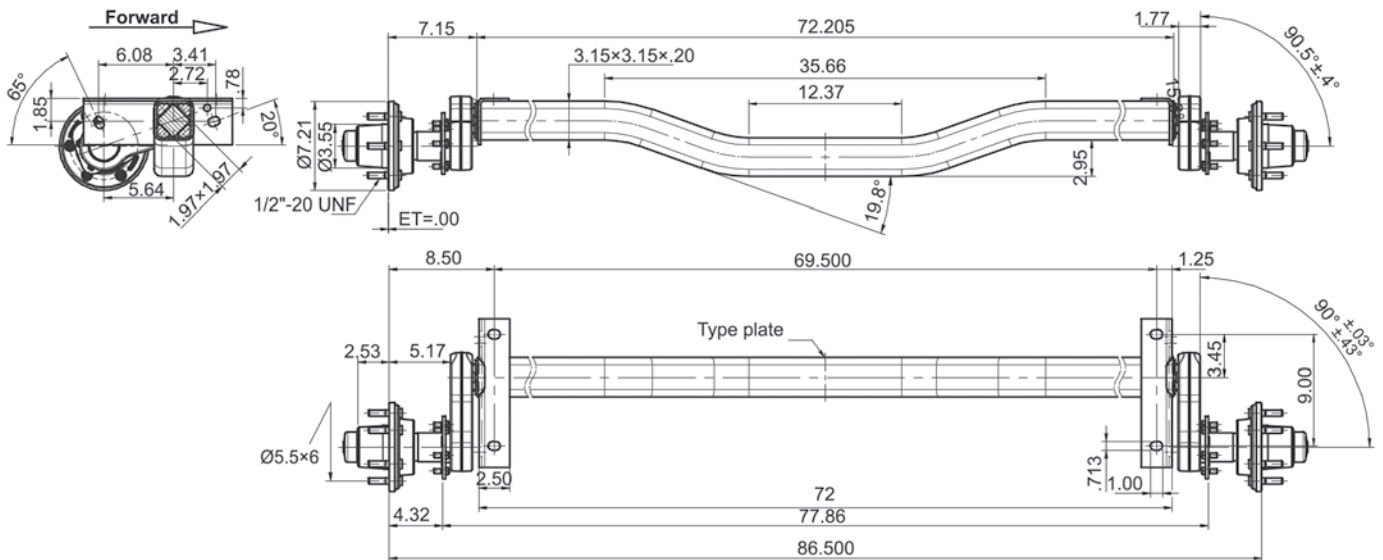


Rubber torsion axle 6000 lbs



Load capacity (lbs)

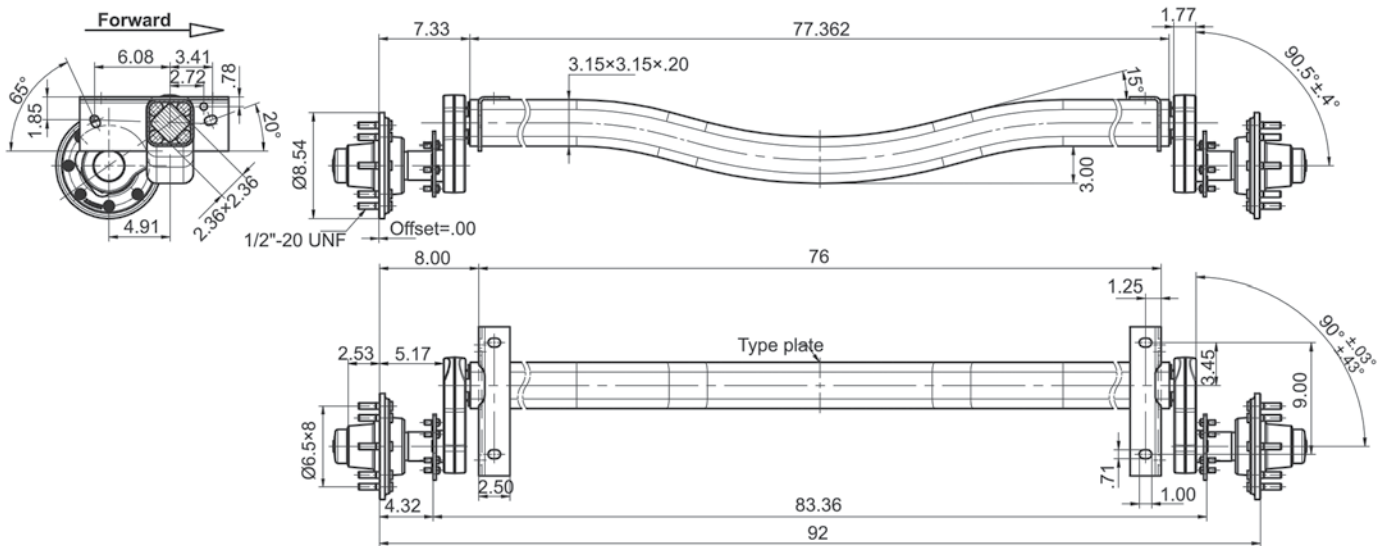
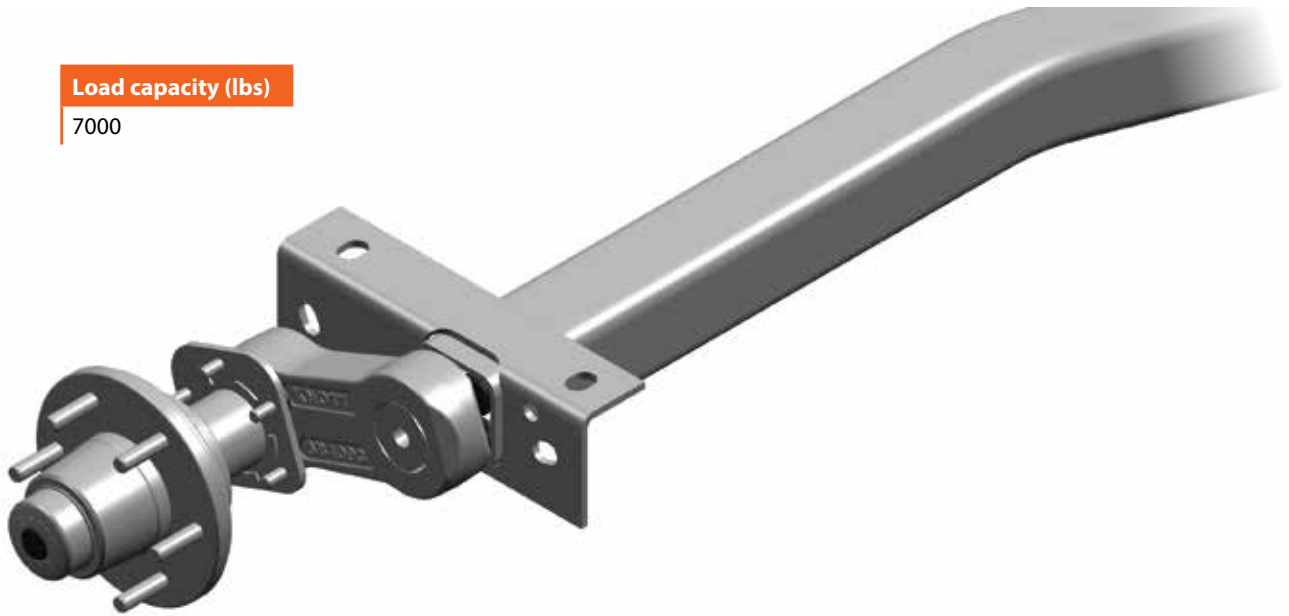
6000

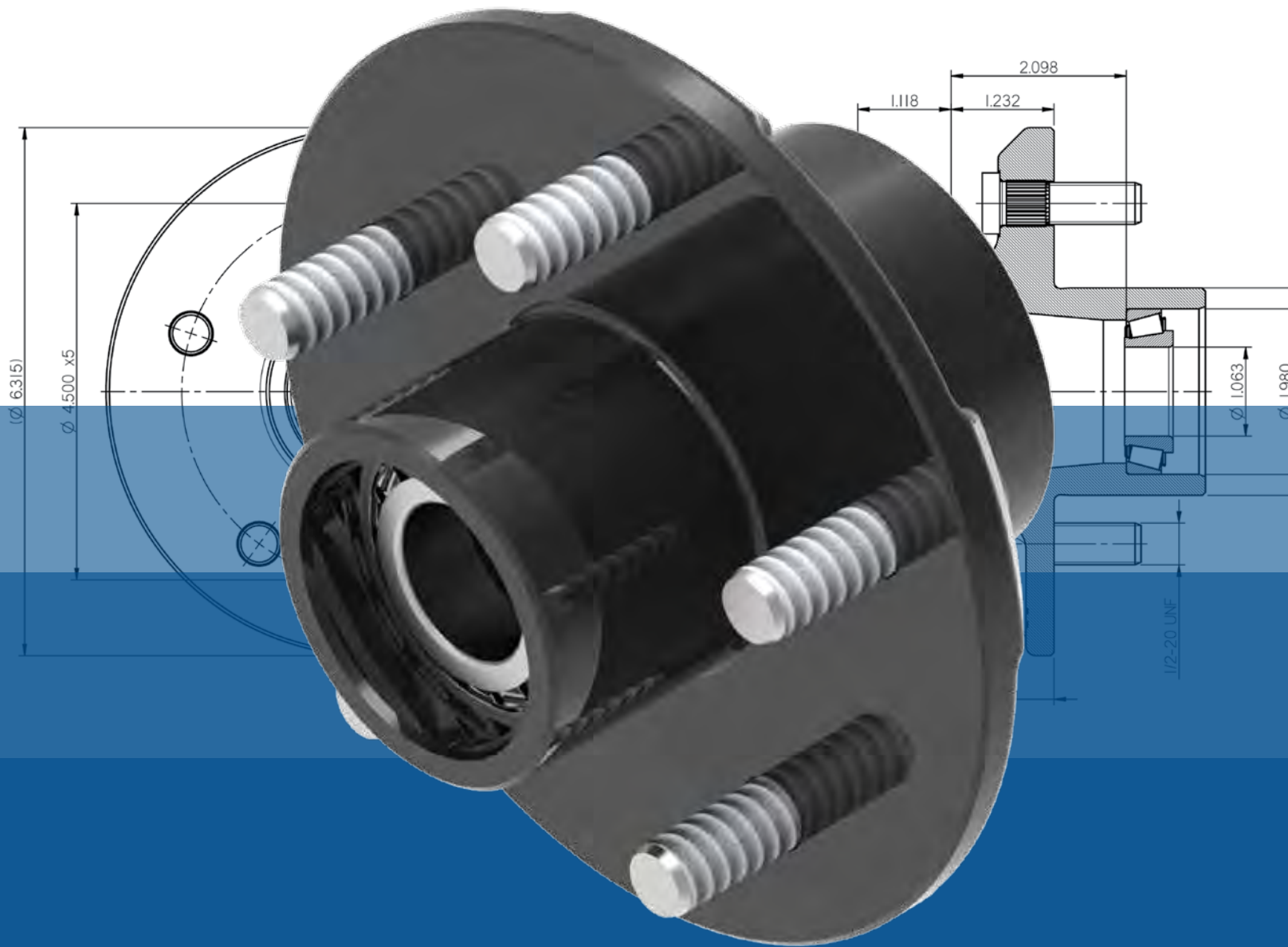


Rubber torsion axle 7000 lbs

Load capacity (lbs)

7000



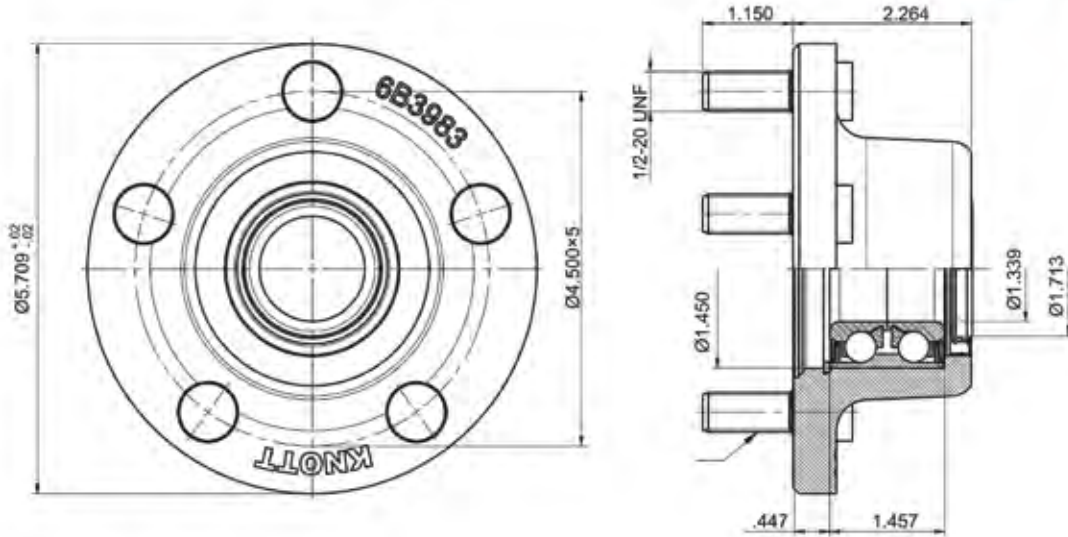


HUBS

HUBS

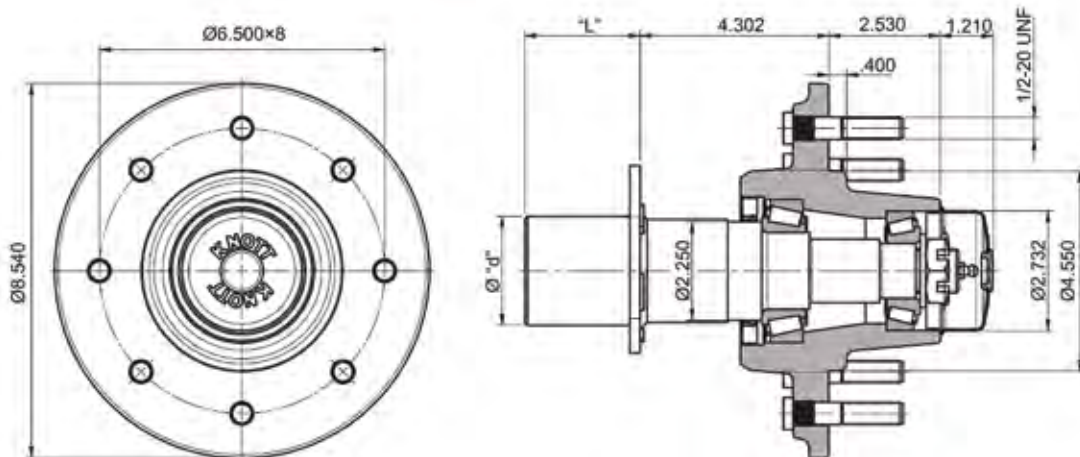
6B4065

- \varnothing 4.500" x 5
- 1500 lbs



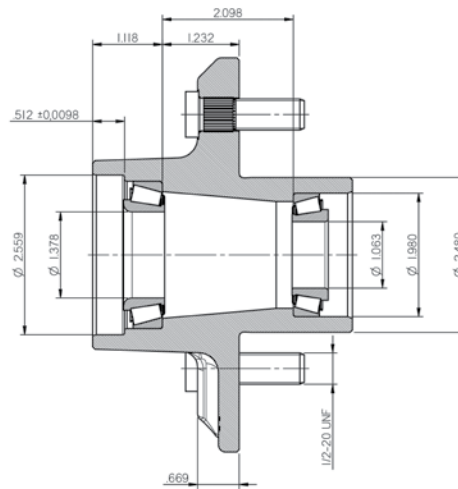
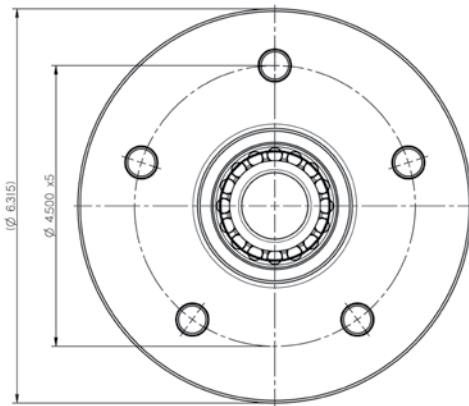
6B3938

- \varnothing 6.5" x 6
- 7000 lbs



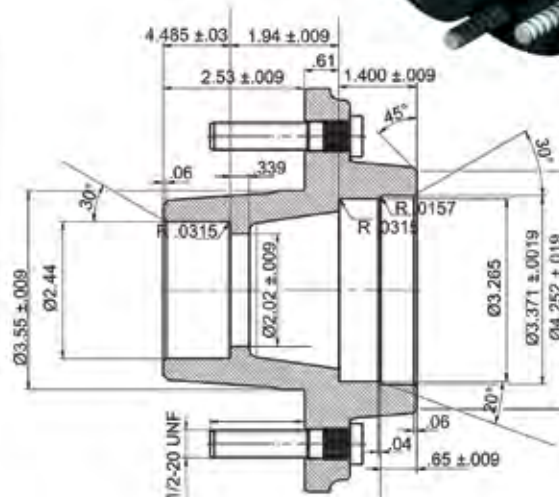
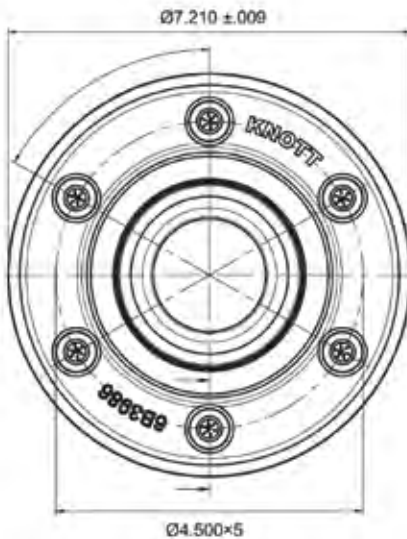
6B7458.001

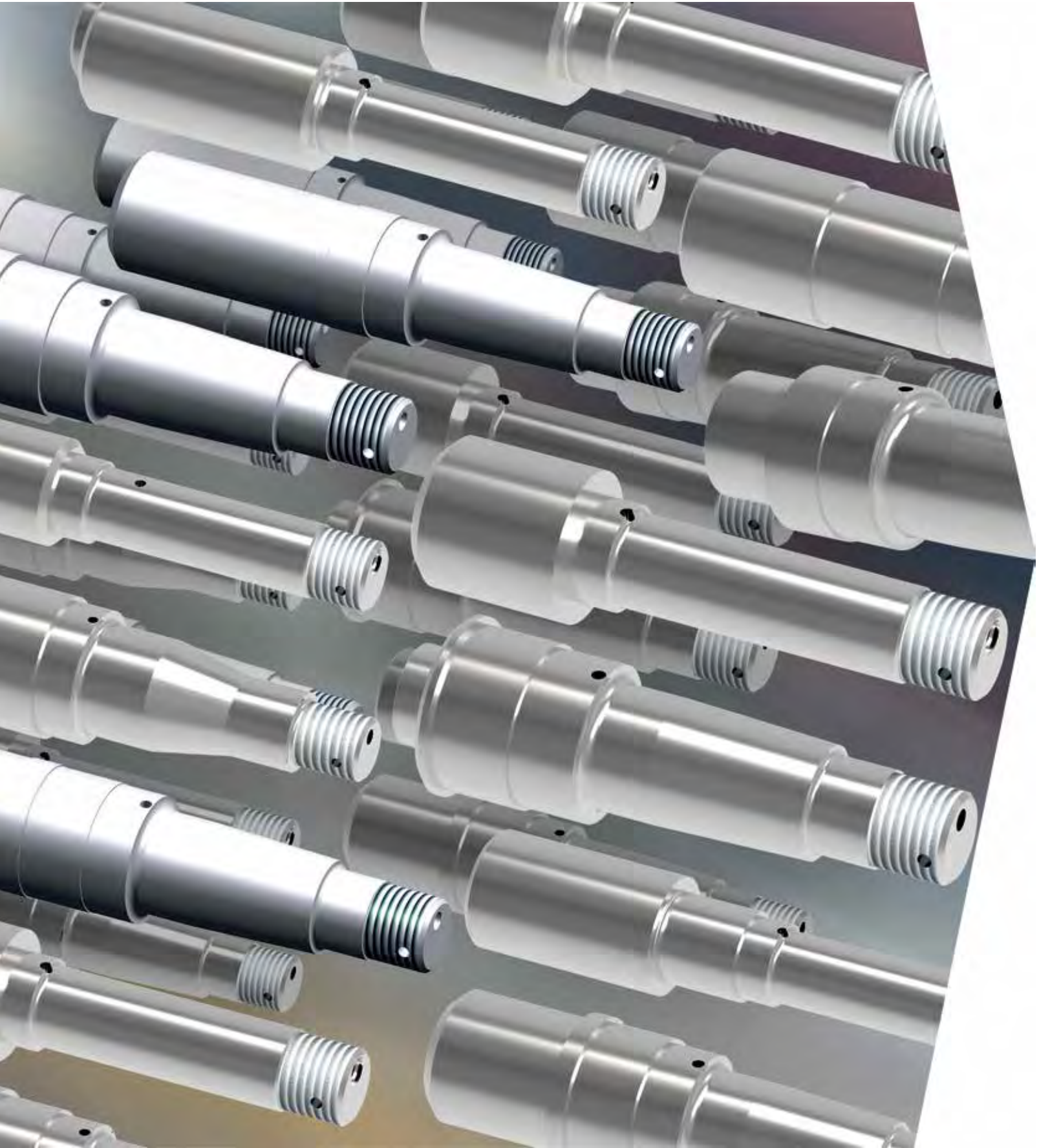
- Ø 4.5" x 5
- 3750 lbs

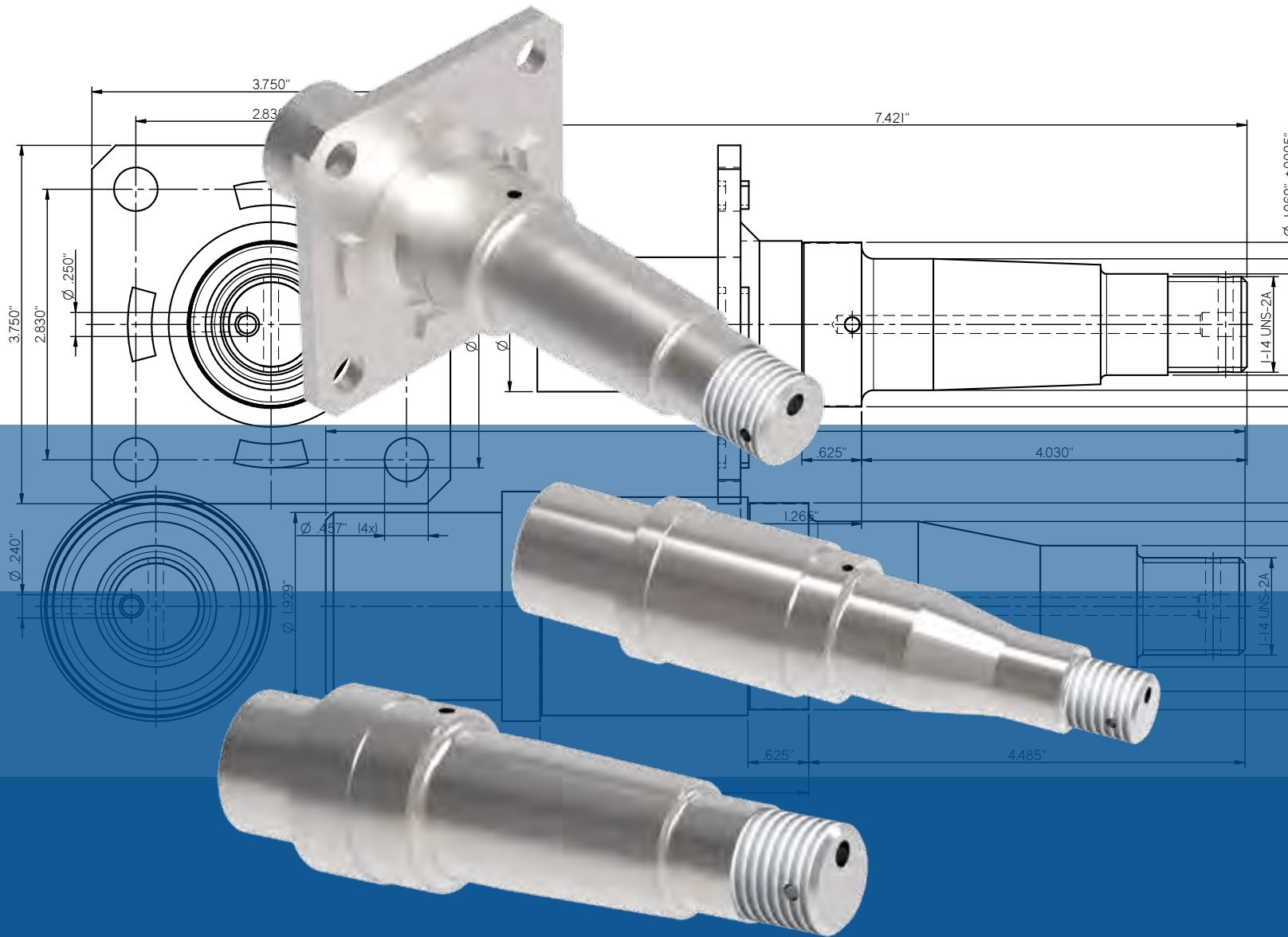


6B3988

- Ø 6.5" x 8
- 6000 lbs

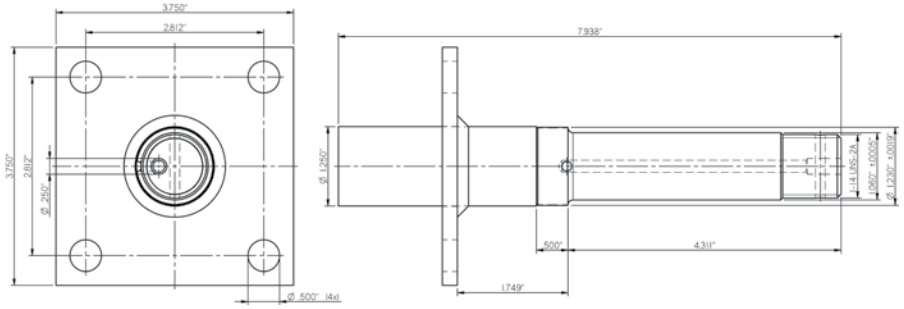
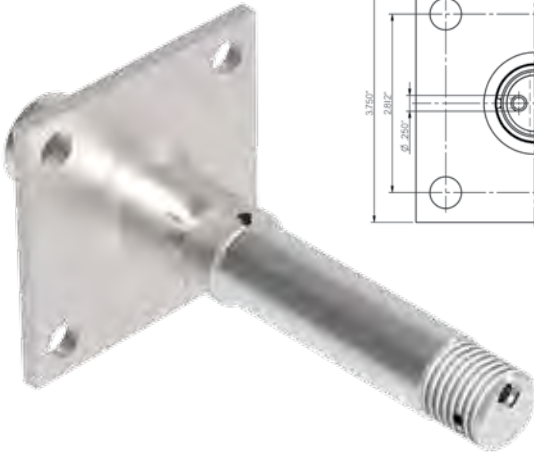




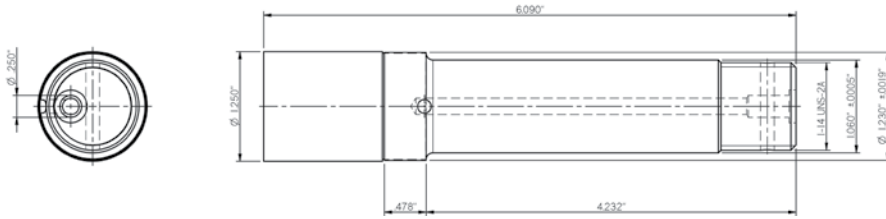


SPINDLES

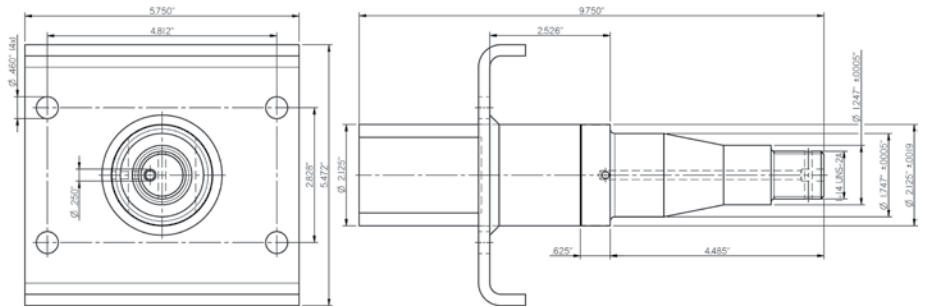
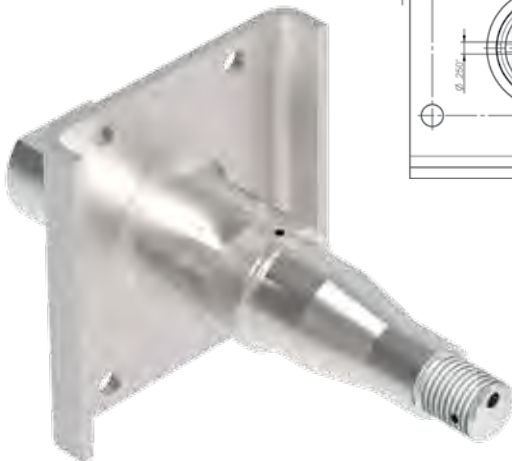
6B2466



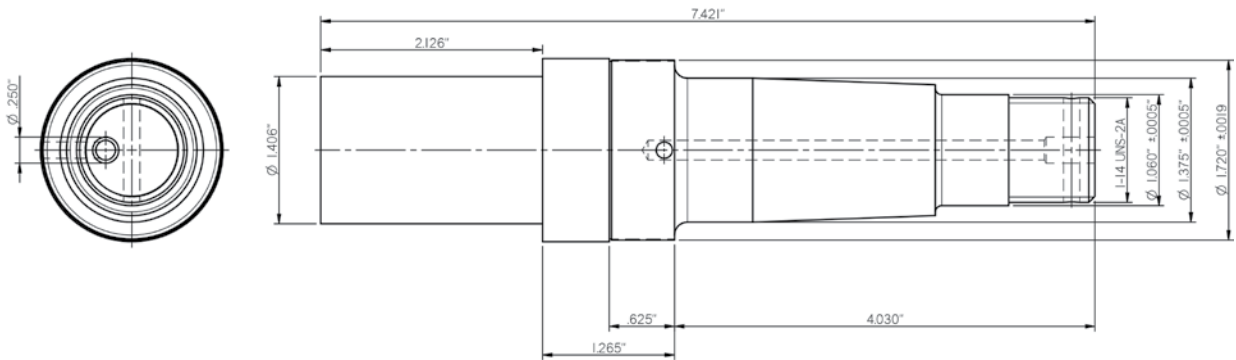
6B2467



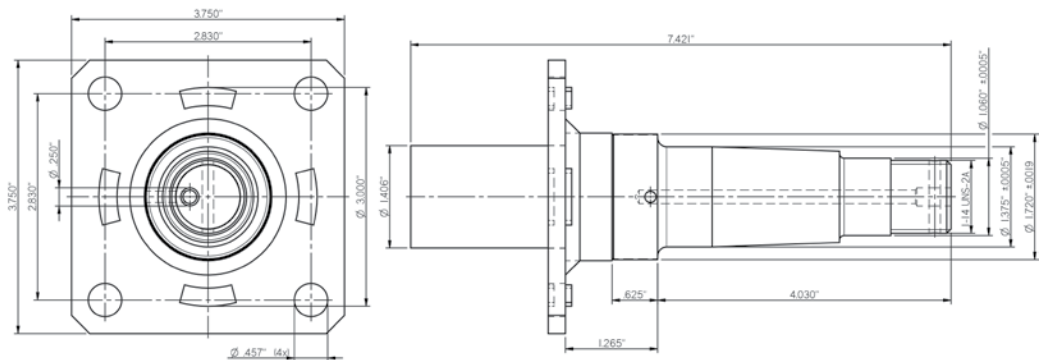
6B2477



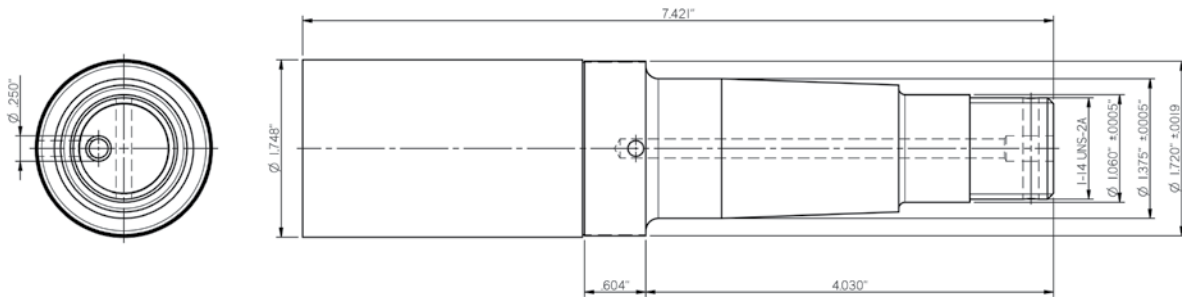
6B2478



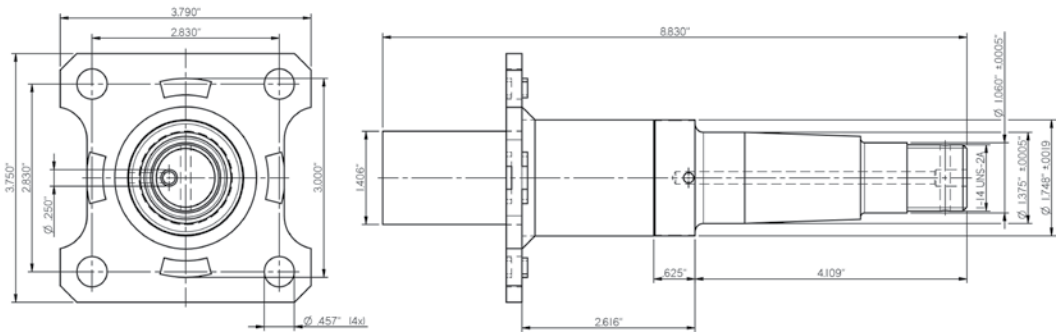
6B2480



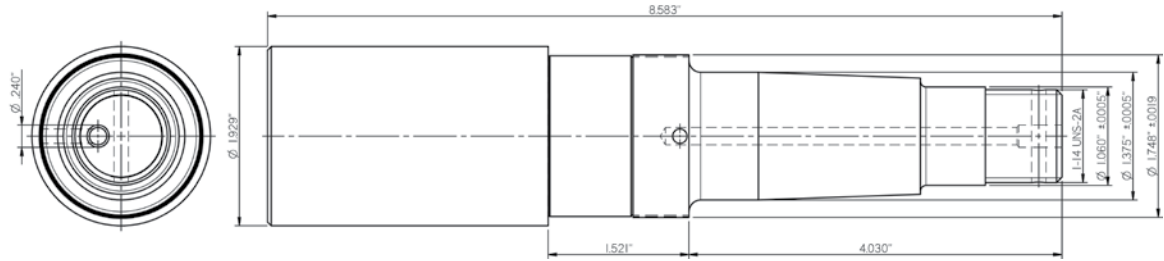
6B2485



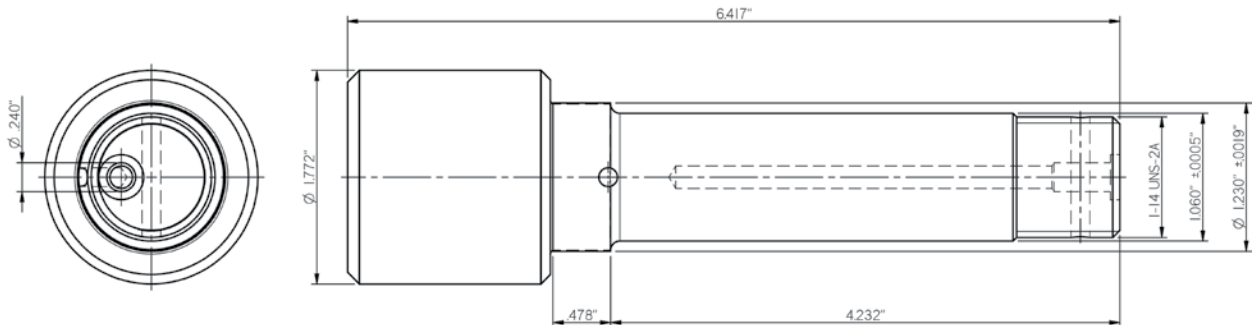
6B2507



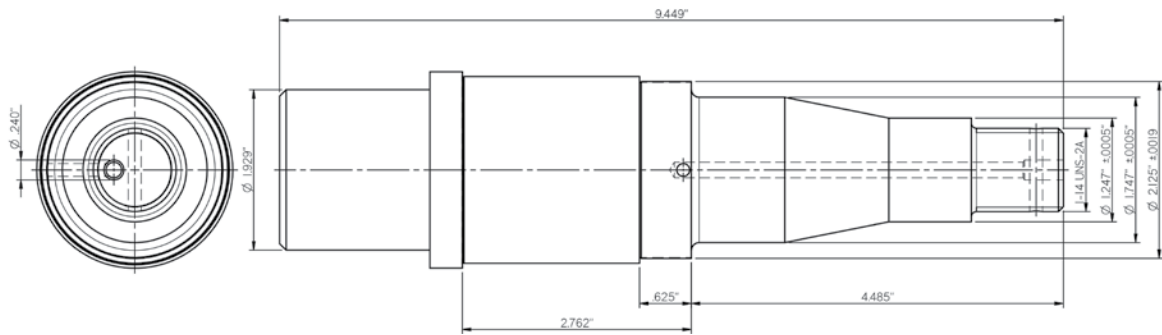
6B3580



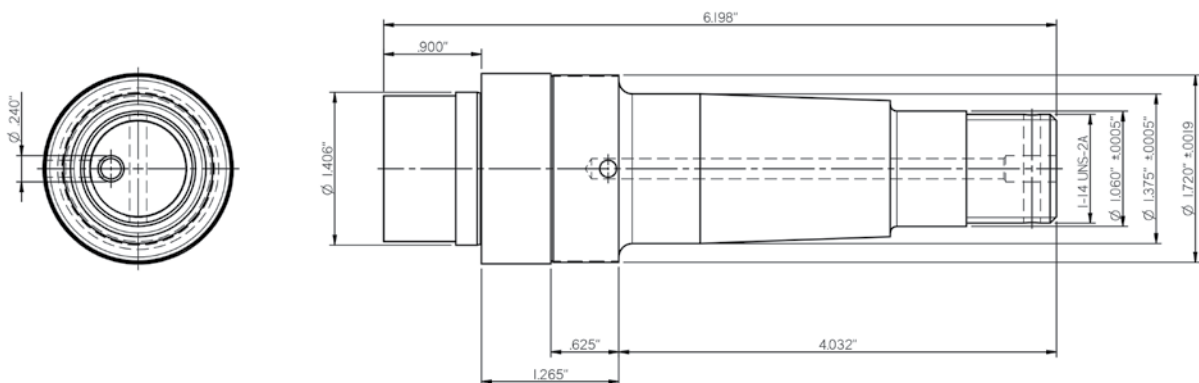
6B4214

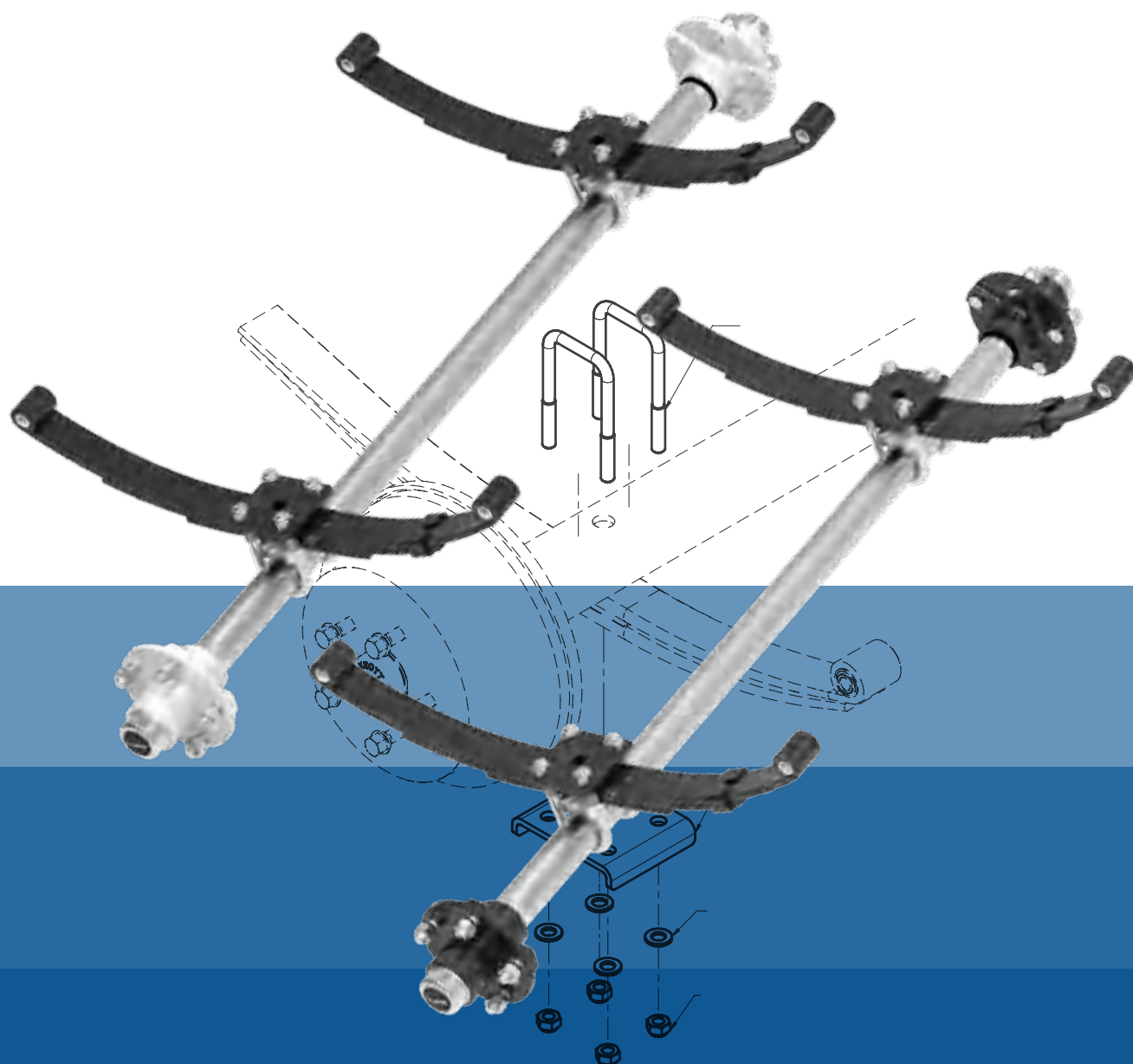


6B7670

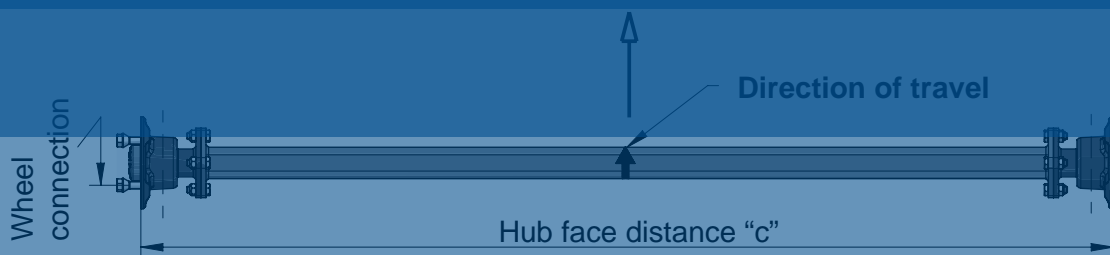


6B9829





UNBRAKED SPRING AXLES



Unbraked spring axle

NEW DESIGN!

Solid axle with additional protector cup. It protects the seal against stones and debris in a harsh environment.

Product can be used for utility trailers.

Load capacity up to 12000 lbs.

Standard surface treatment:

- hot-dip galvanization
- painting

Load capacity:

- 1500 lbs - 12000 lbs

Axle body type:

- tube
- square tube

Bearing type:

- conical bearing
- compact bearing

Includes:

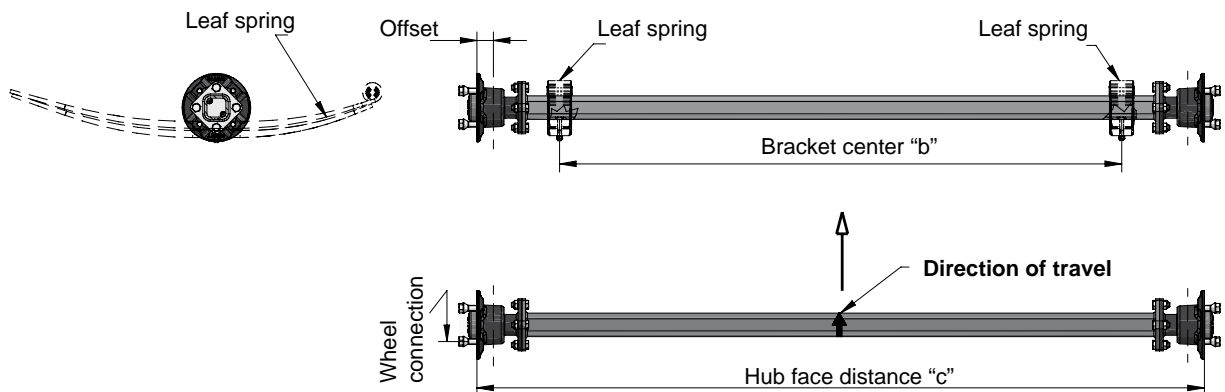
- axle with type plate
- hub or drum brake

Additional:

- leaf spring
- shock absorber
- protector cup

If you are interested in our product, please give the following parameters to our sales personnel to enable us to choose the best version for you suited to your needs:

- **c, b size**
- **Load capacity**
- **Wheel connection**
- **Offset**



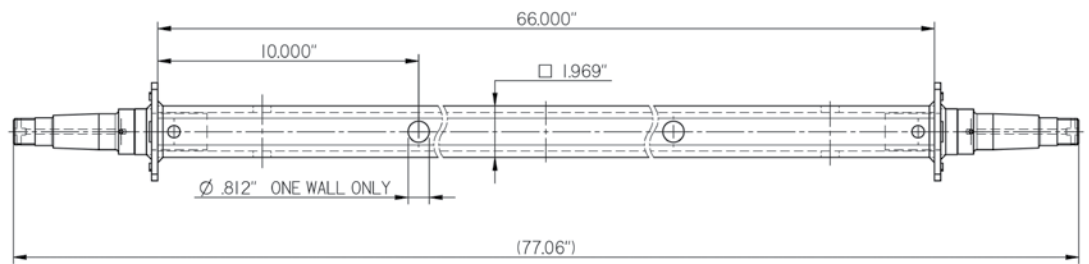
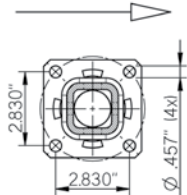
Spring axle 3750 lbs

Load capacity (lbs)

3750



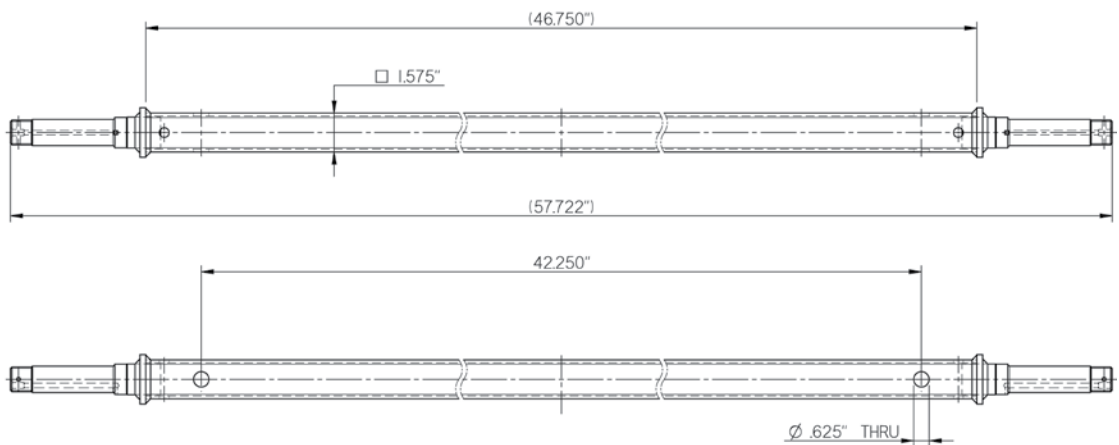
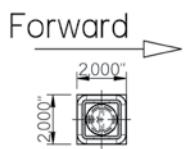
Forward



Spring axle 1500 lbs

Load capacity (lbs)

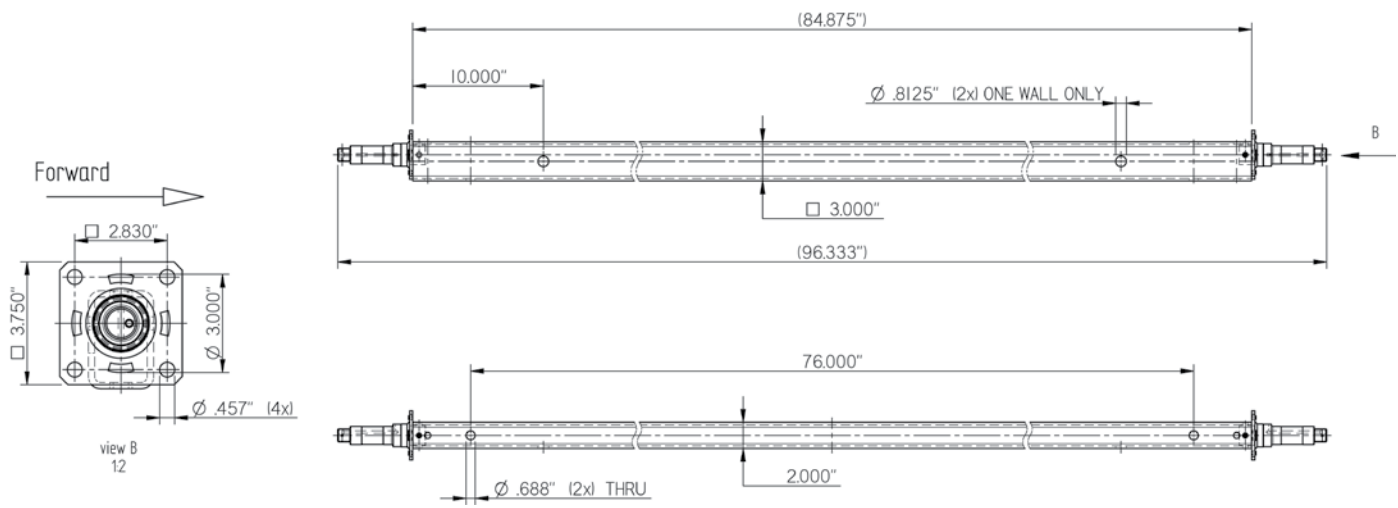
1500



Spring axle 4200 lbs

Load capacity (lbs)

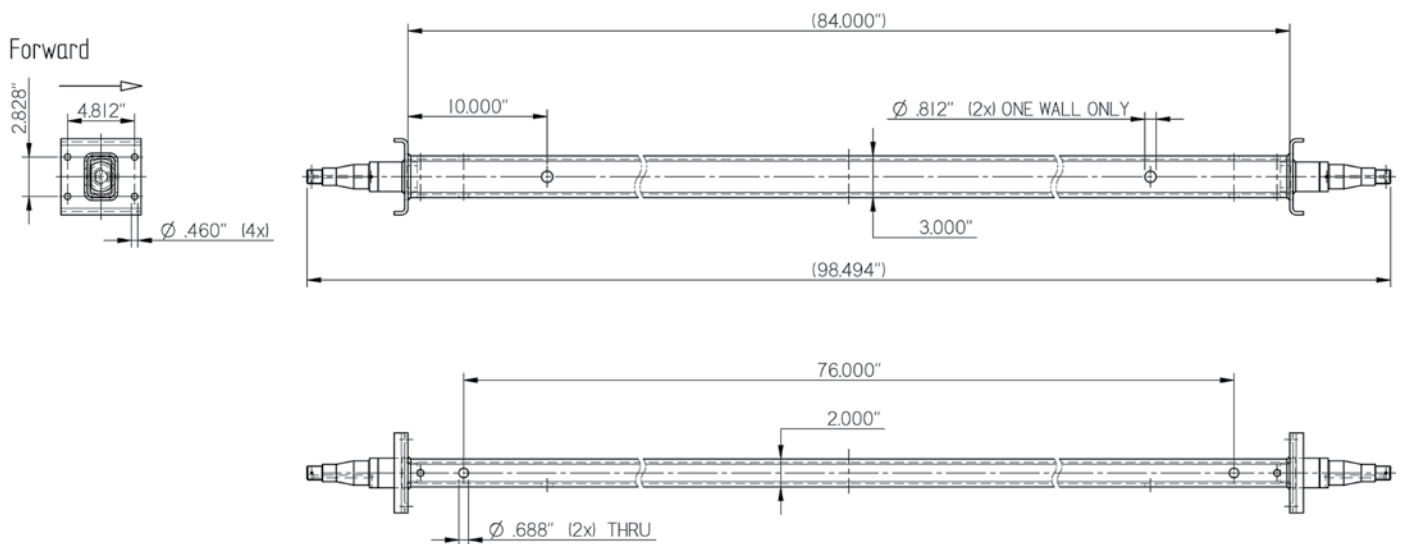
4200



Spring axle 6000 lbs

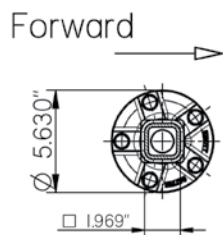
Load capacity (lbs)

6000



Spring axle 2000 lbs

Load capacity (lbs)
2000

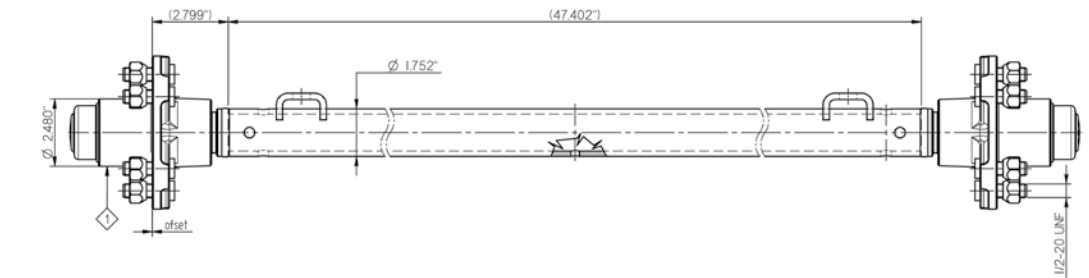
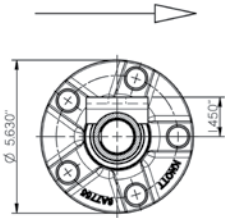


Spring axle 3500 lbs

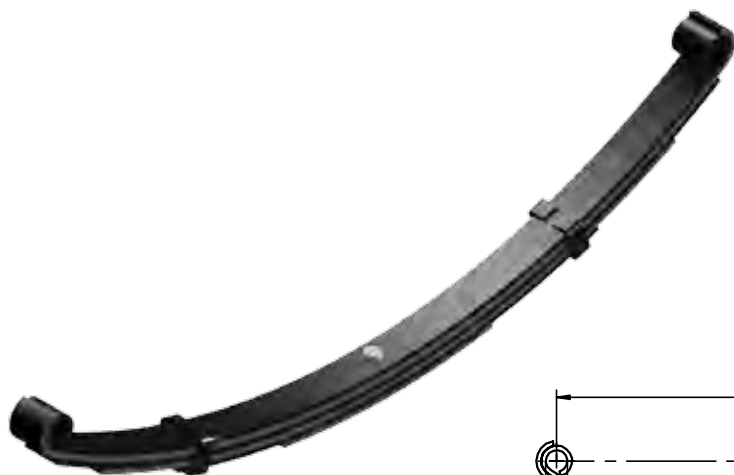


Load capacity (lbs)
3500

Forward

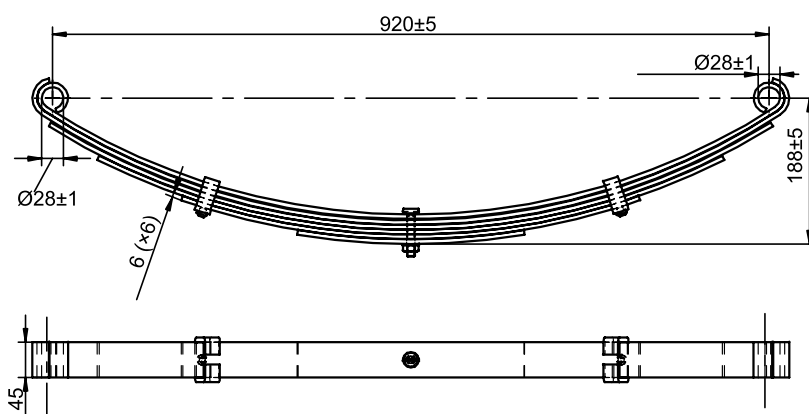


LEAF SPRINGS FOR AXLES



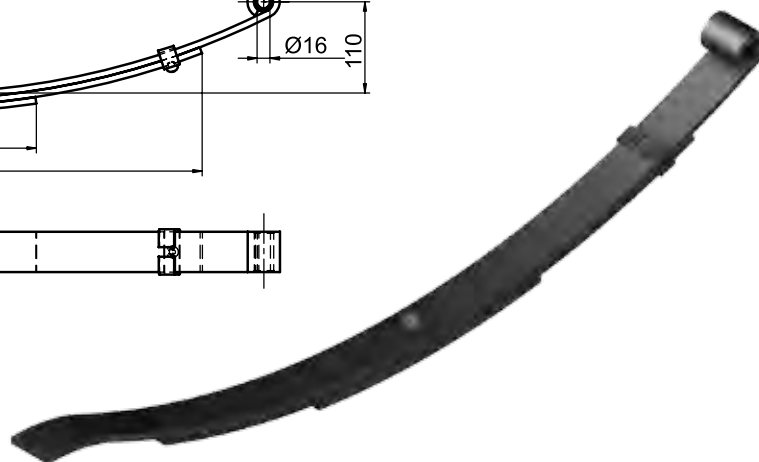
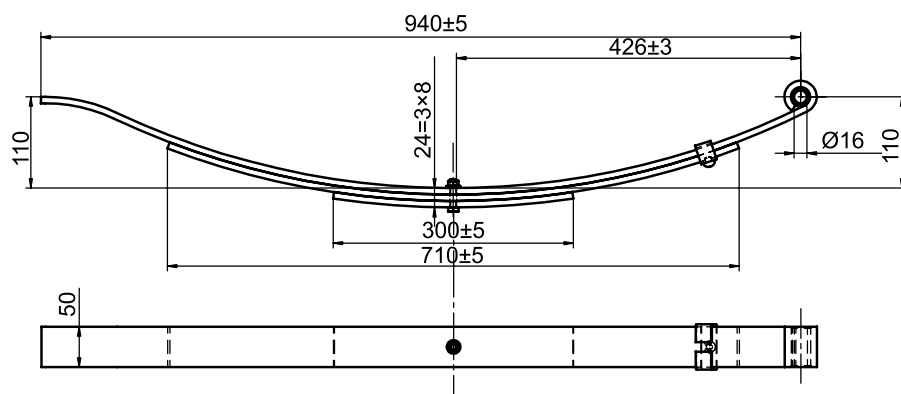
6X1356.001

■ Double-eye leaf-spring



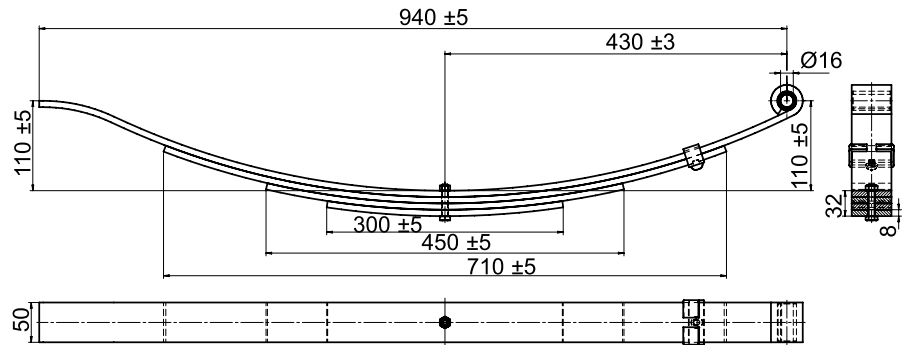
6X1356.004

■ Open-eye leaf-spring with flat end



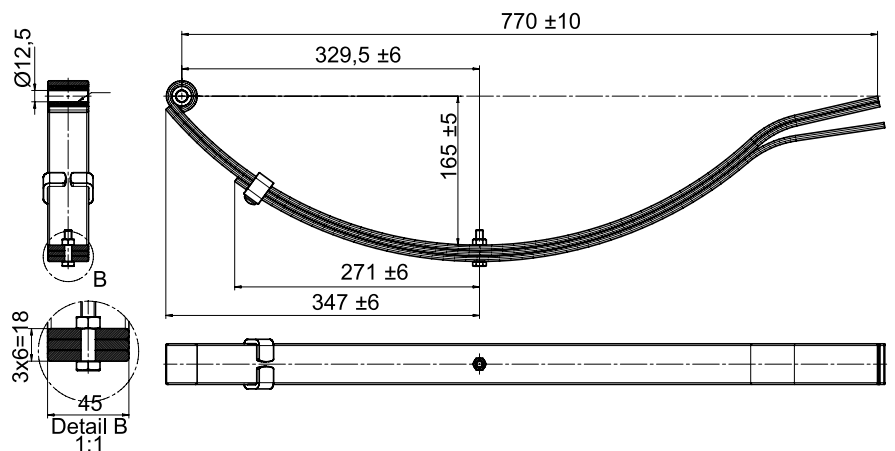
6X1356.009

- Open-eye leaf-spring with flat end



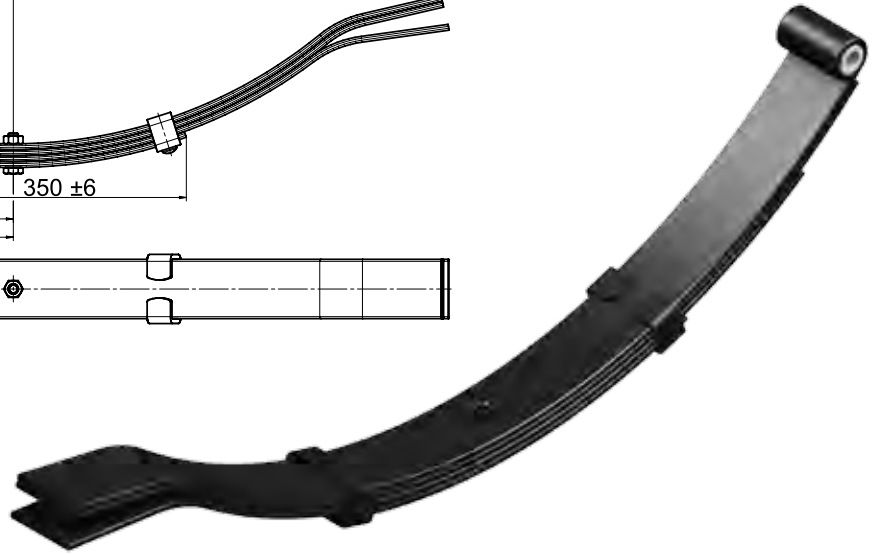
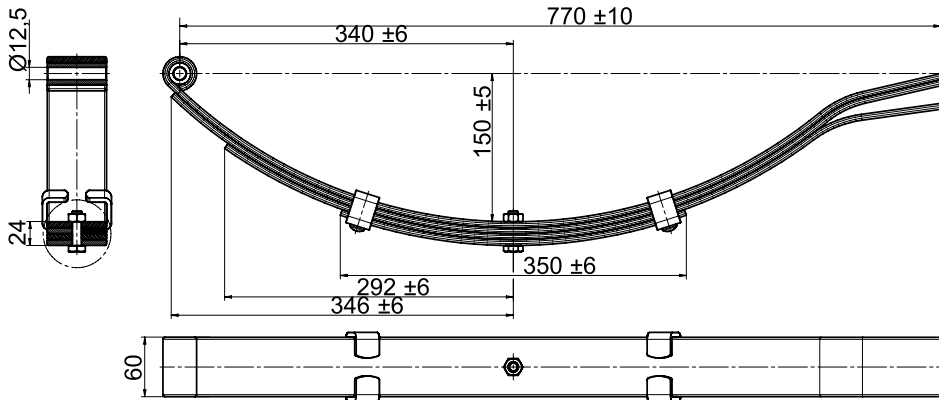
6X1356.010

- Open-eye leaf-spring with flat end



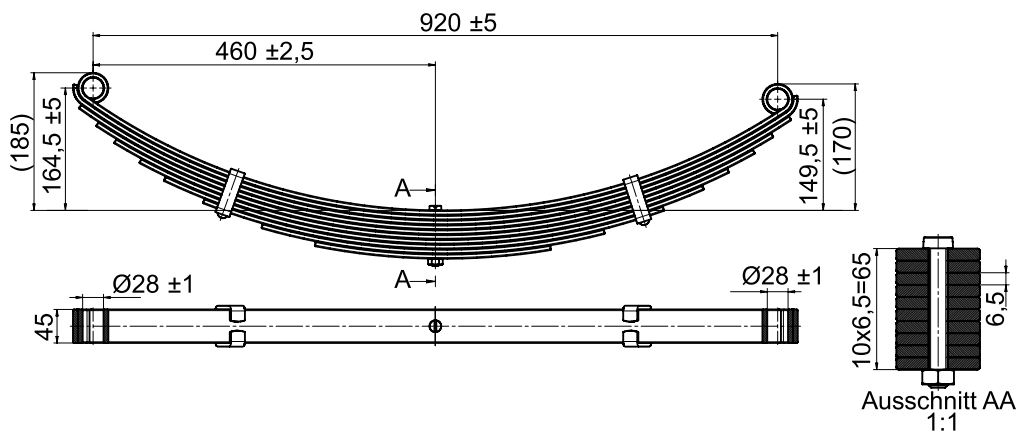
6X1356.011

■ Open-eye leaf-spring with flat end



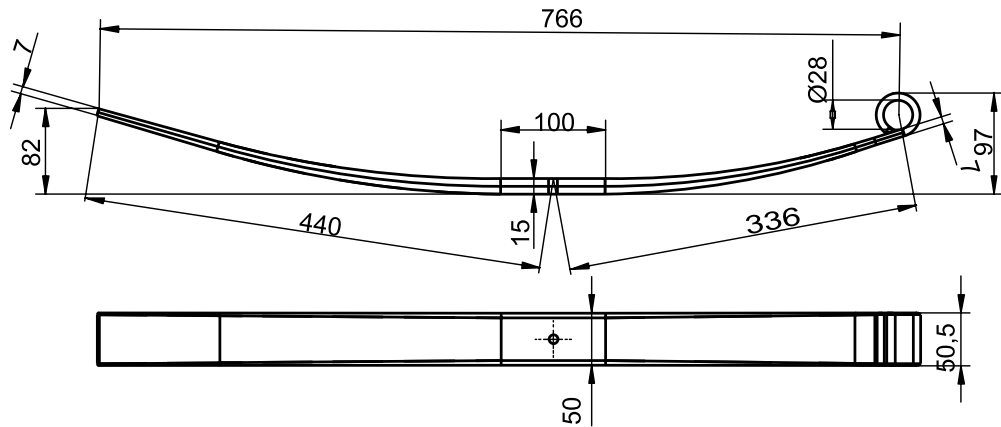
6X1356.006

■ Double-eye leaf-spring



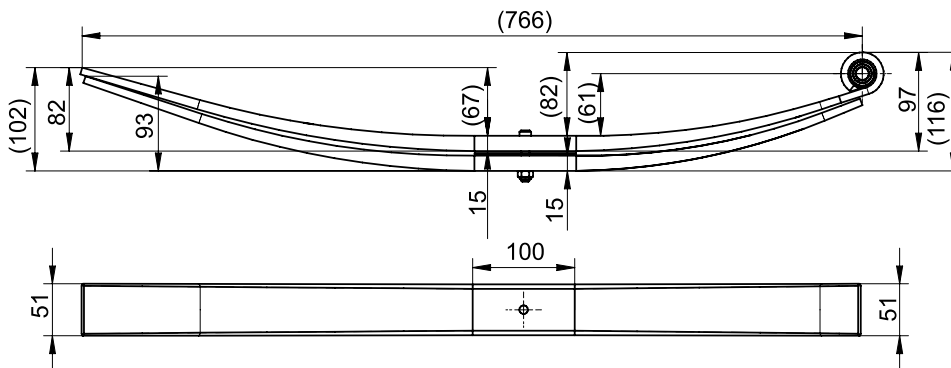
6B4699.001

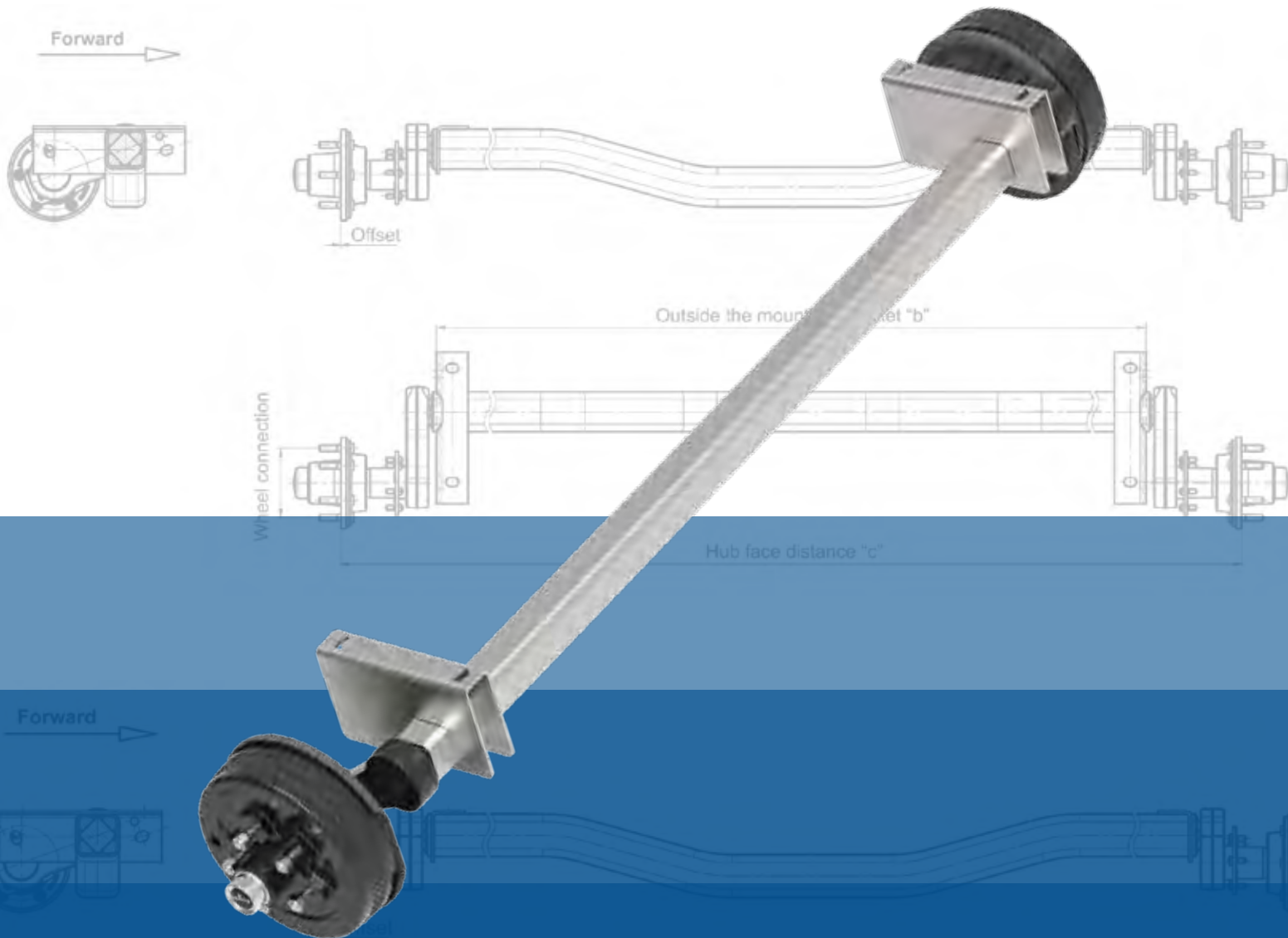
■ Open-eye parabolic leaf-spring with flat end



6B4590.001

■ Open-eye parabolic leaf-spring with flat end





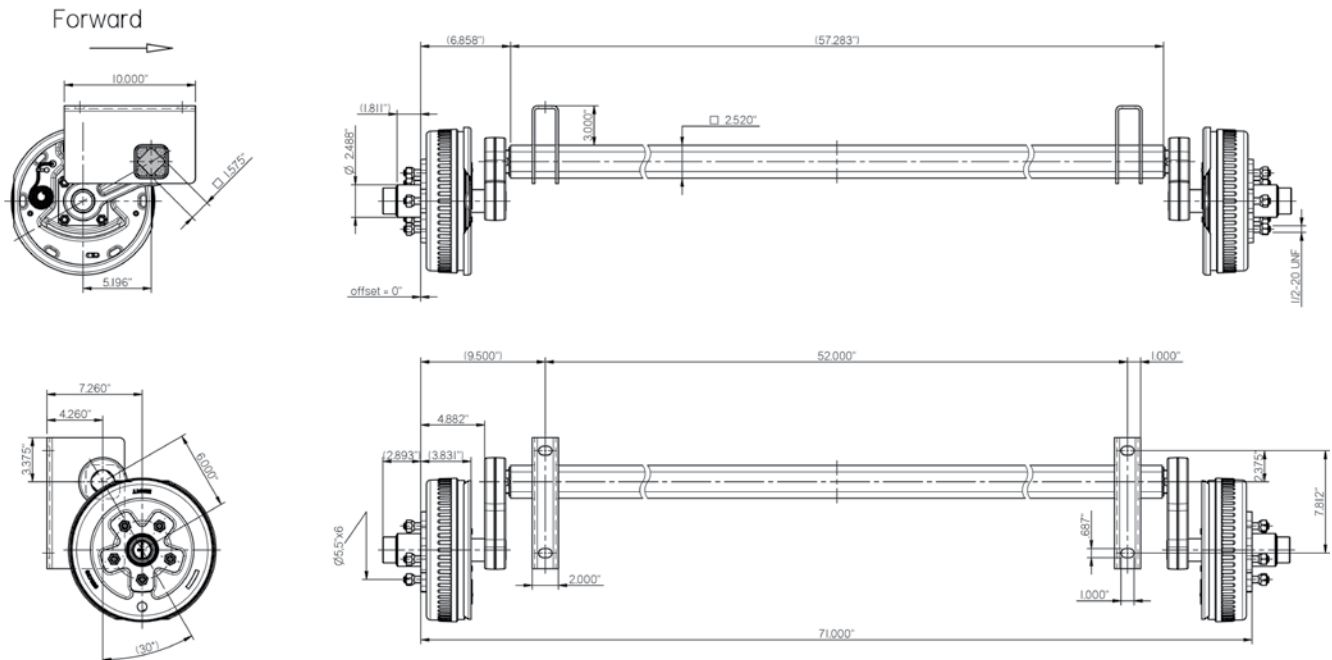
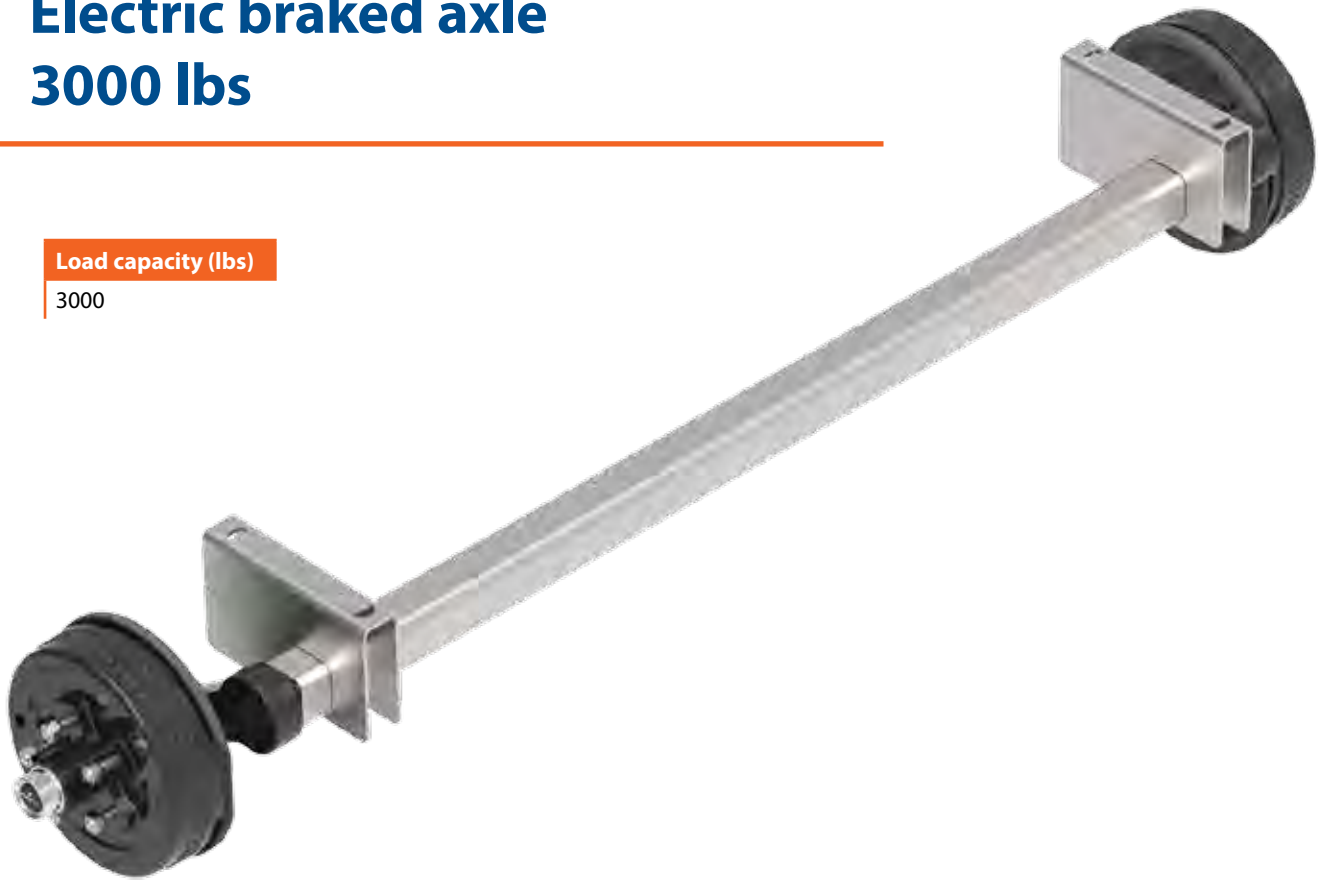
ELECTRIC BRAKED AXLES

Electric braked axle

3000 lbs

Load capacity (lbs)

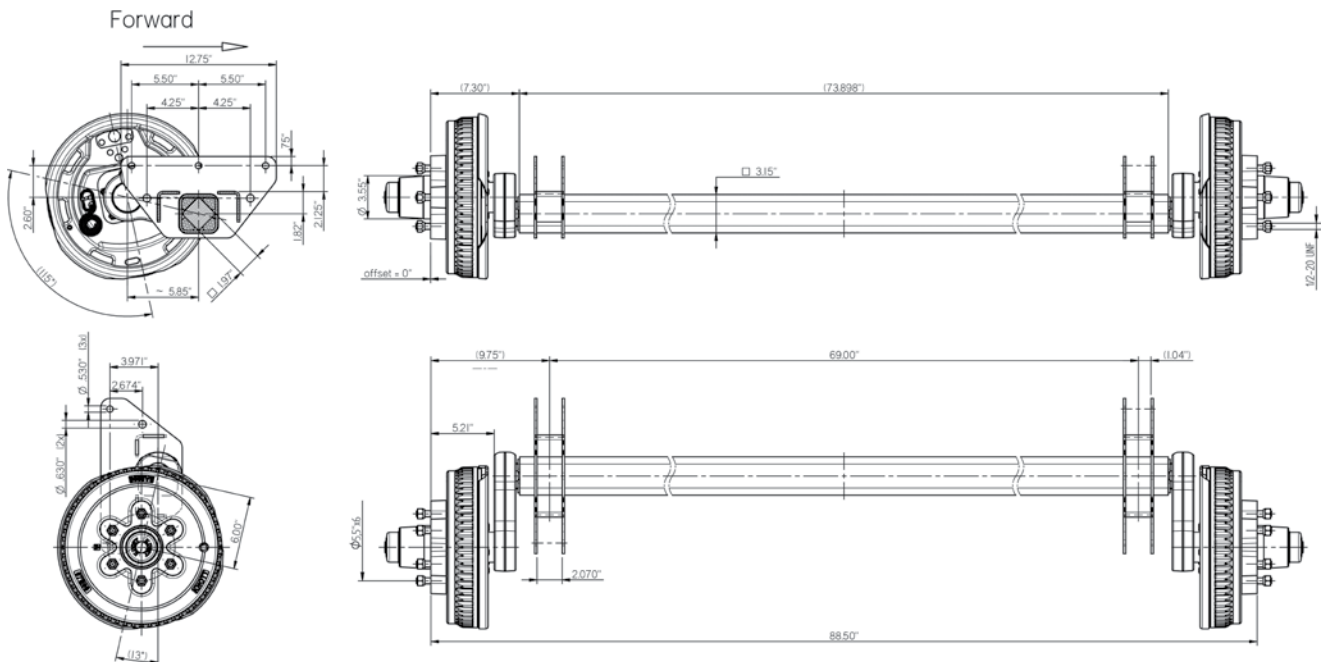
3000



Electric braked axle

Load capacity (lbs)

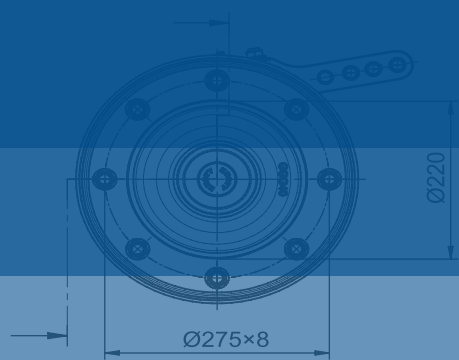
??????



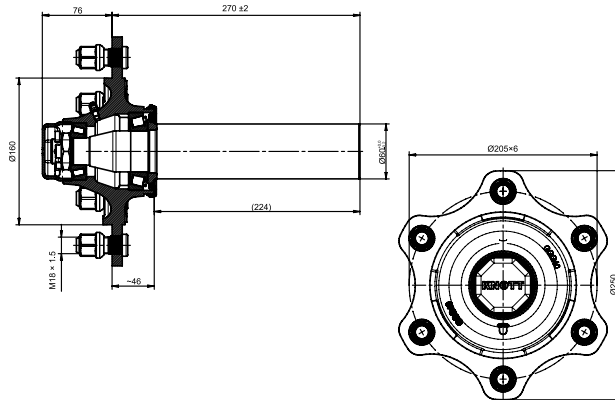




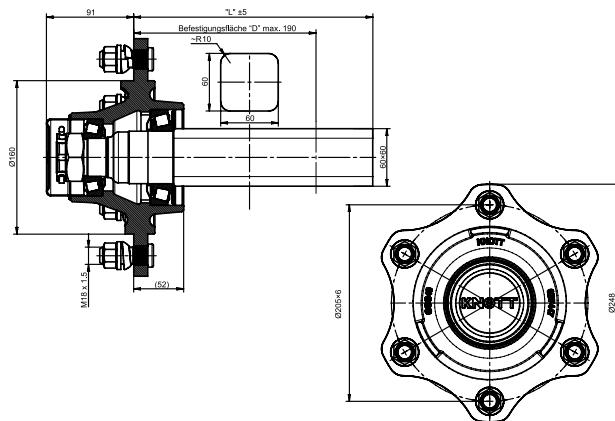
AGRICULTURAL AXLES



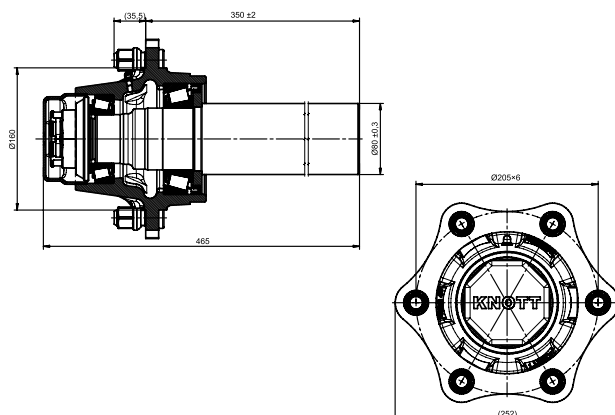
Unbraked hub and stub for agricultural axles



FNK45

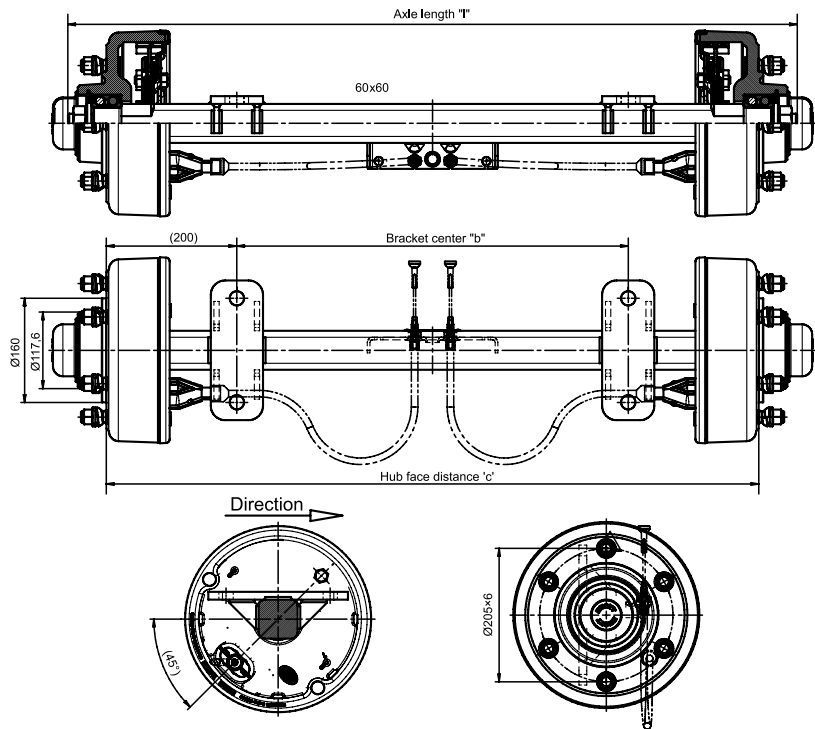
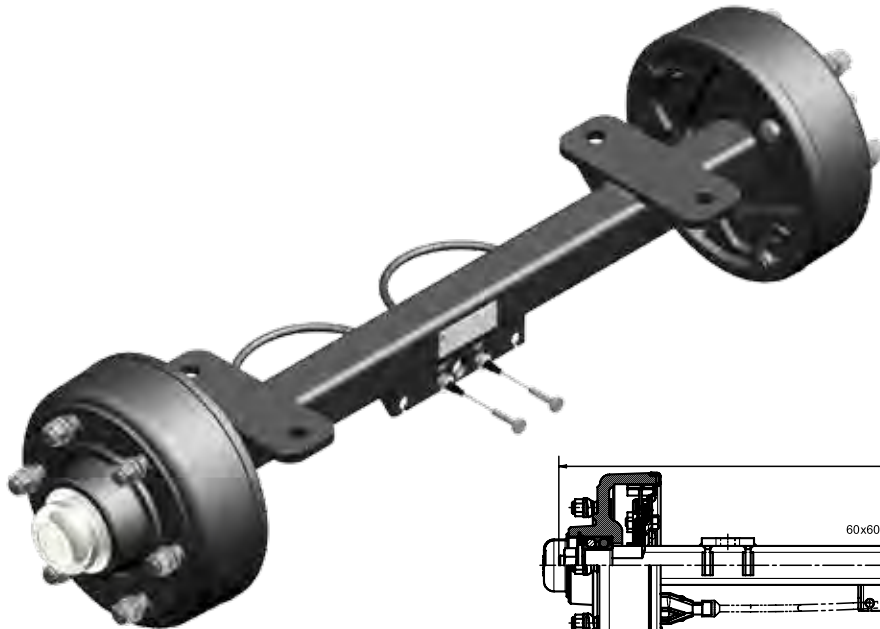


FNK47




FNK59

Braked axle for agricultural machinery

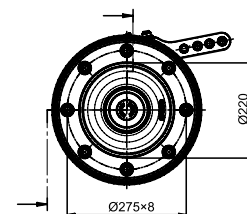
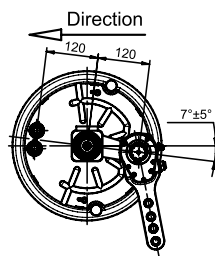
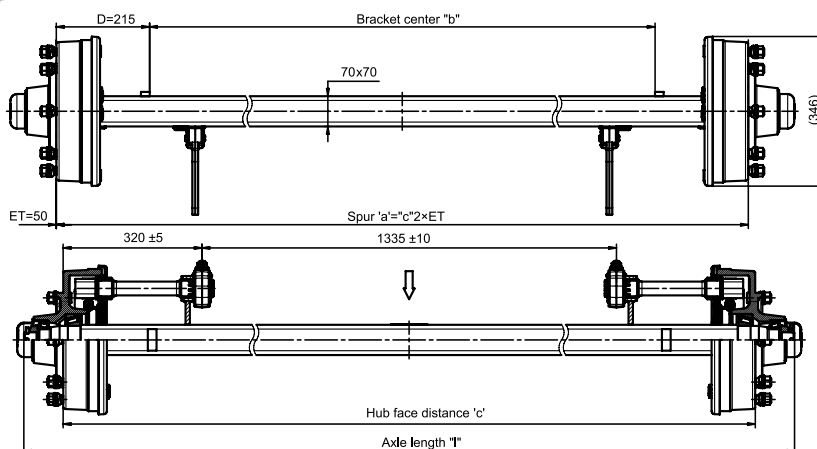
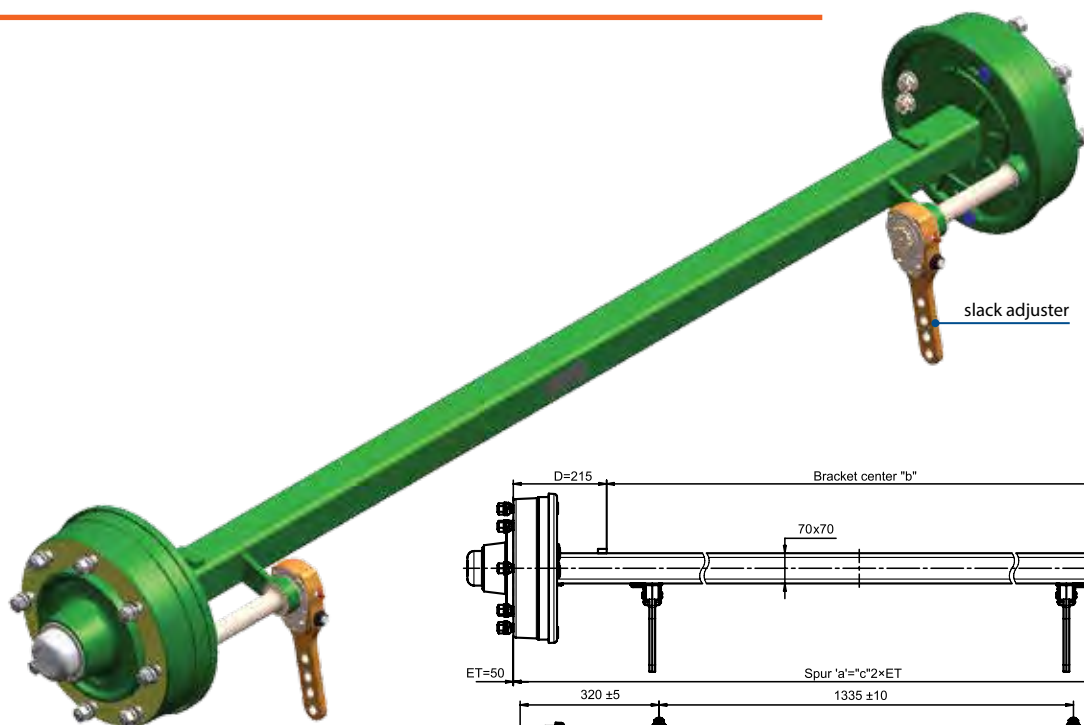


Axle	
Drawing Nº:	6AC342
Brake:	250x40
Brake type:	25-2025
Certification:	361-007-94
Automatic reverse control:	Backmat
Center hole:	Ø 6 17/32"
Type	
Type	VRB27 200
Article Nº:	6AC342.001
Brake control:	spread lever
Status:	-
Greasing nipple:	none
PCD:	205x6


VRB27	Speed	Load capacity
	40 Km/h	8000 lbs

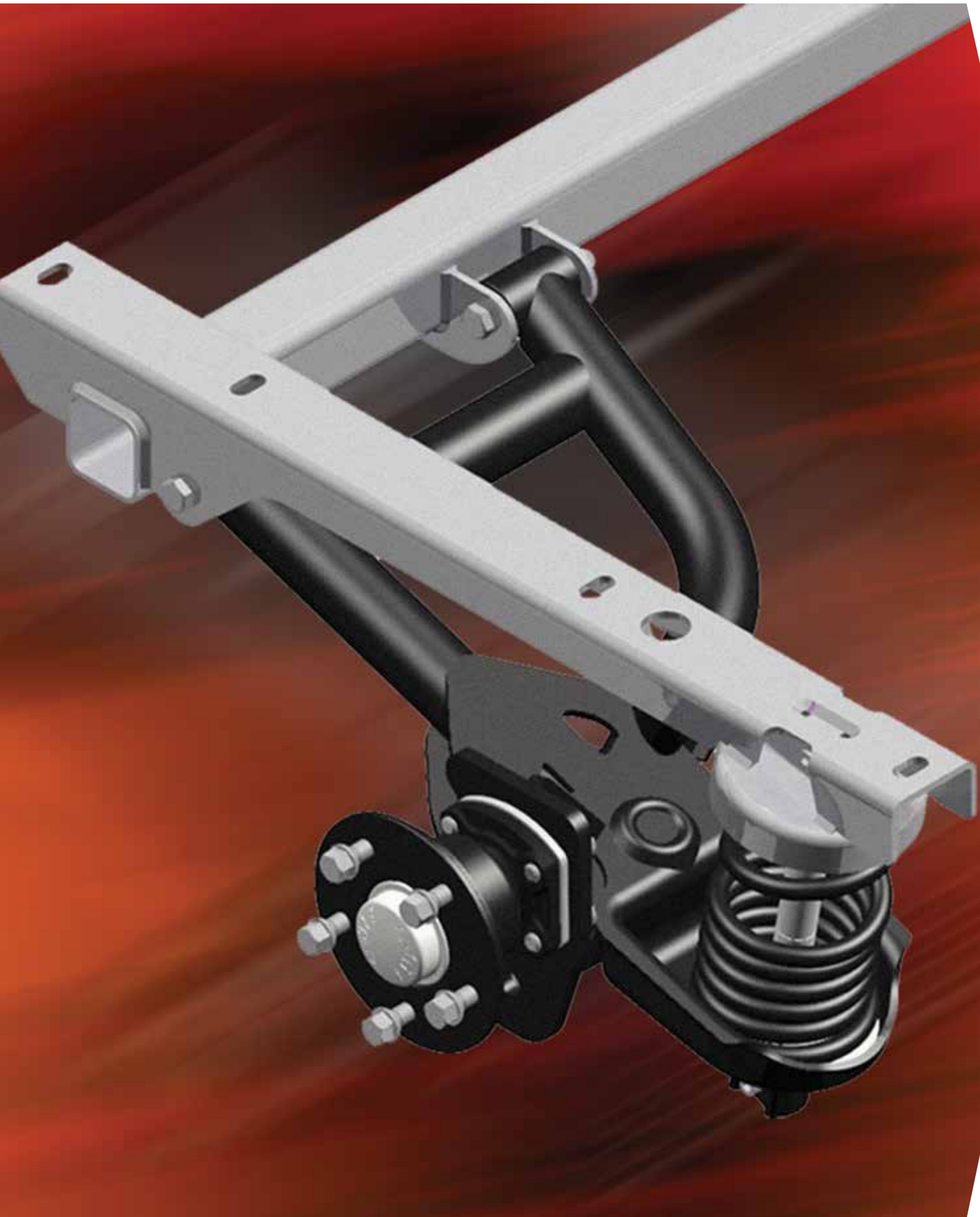


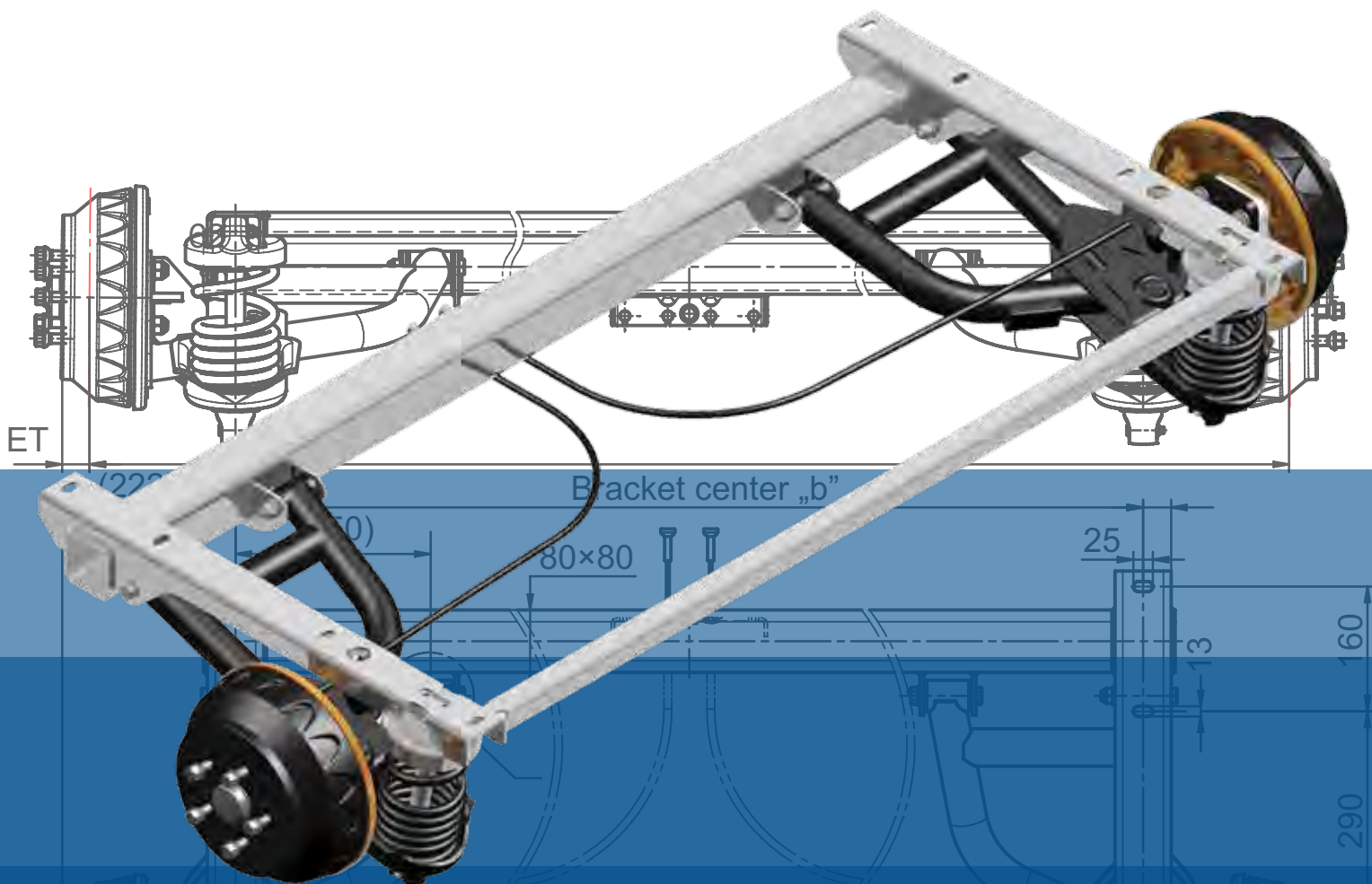
Braked axle for agricultural machinery



Axle	
Drawing Nº:	6AA949
Brake:	300×60
Brake type:	30-4305
Certification:	361-047-12
Automatic reverse control:	none
Center hole:	Ø 8 21/32"
Type	
	VRB37 215
Article Nº:	6AA949.001
Brake control:	CAM, N
Status:	-
Greasing nipple:	none
PCD:	275×8

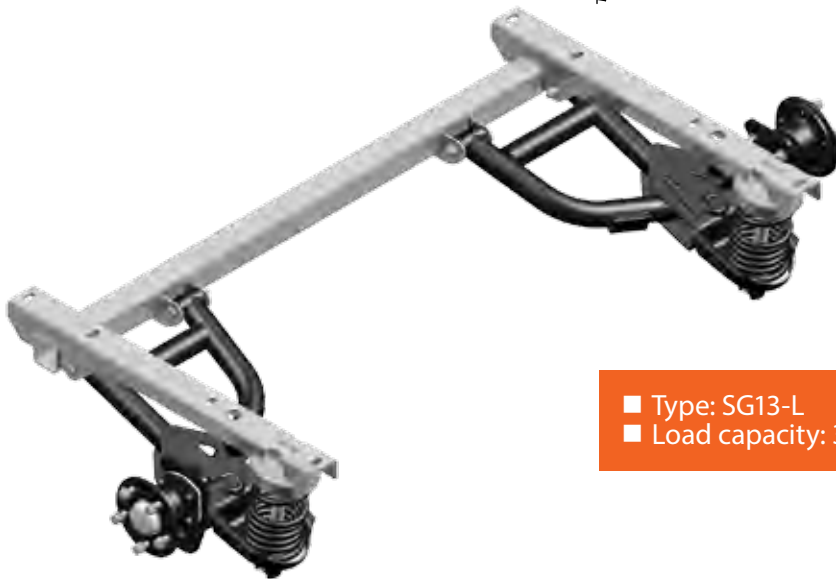
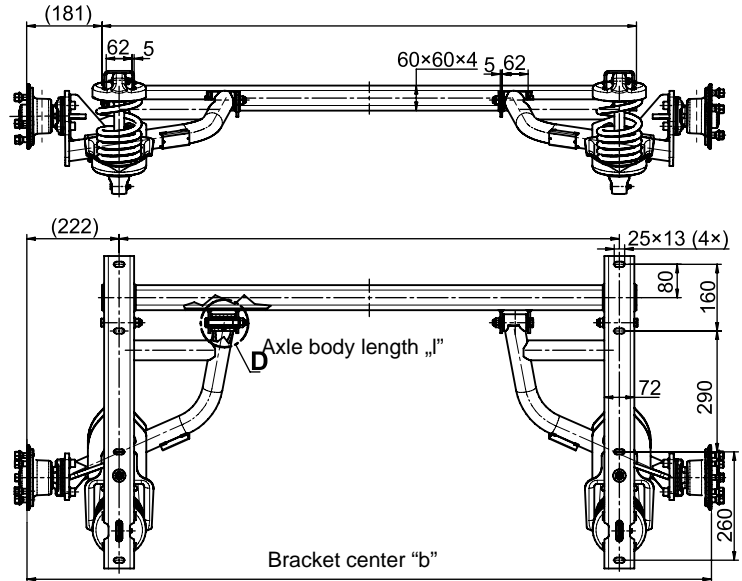
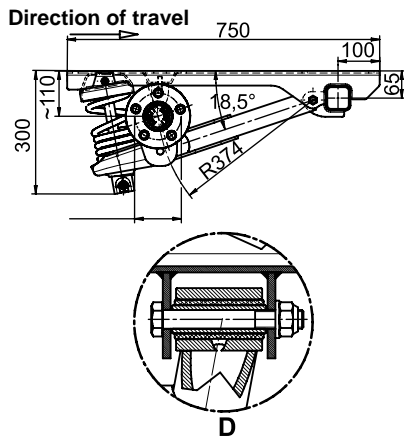
VRB37	Speed	Load capacity
	40 Km/h	8000 lbs





SPIRAL SPRING AXLES

Braked axle with spiral spring



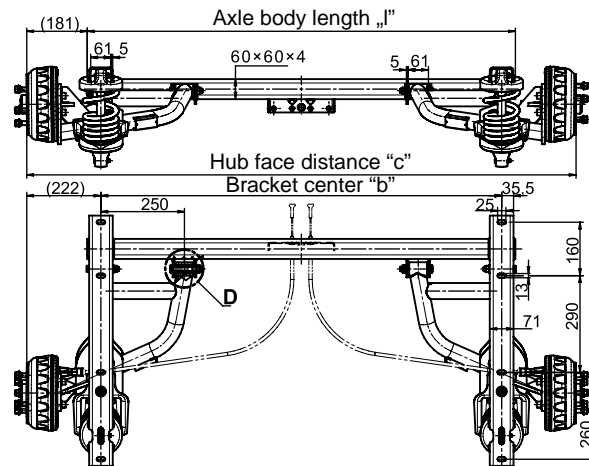
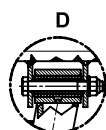
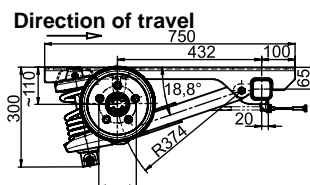
- Type: SG13-L
- Load capacity: 3000 lbs

For more information please contact our sales personnel!
These axles are available according to inquiry.
More variants are available. Please ask our sales personnel for actual drawings!

"C" (mm)	"b" (mm)	"l" (mm)	Offset (mm)
1644	1200	1282	Ø112×5
1544	1100	1182	Ø112×5
1444	1000	1082	Ø139,7×6
1544	1100	11820	Ø139,7×6



Braked axle with spiral spring



SGB13



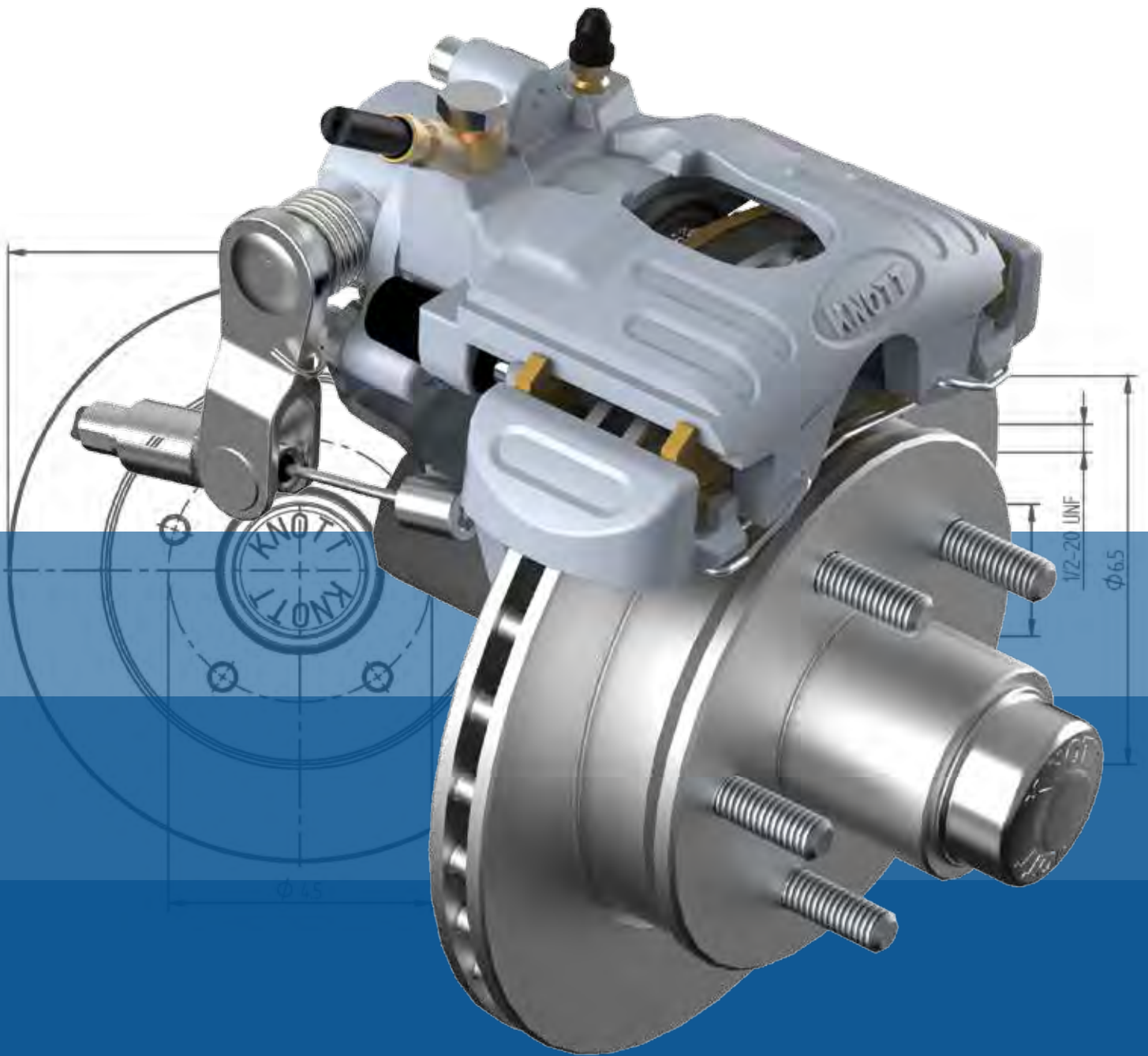
SGB15

SGB18



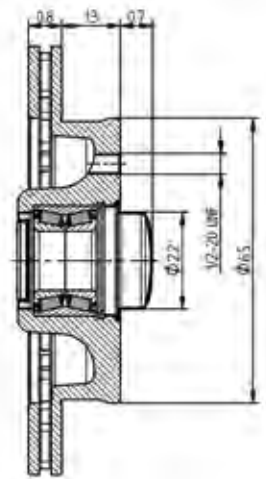
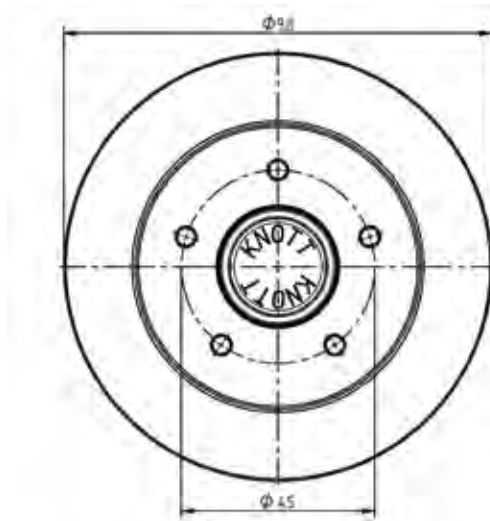
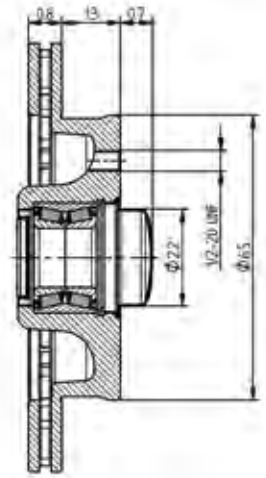
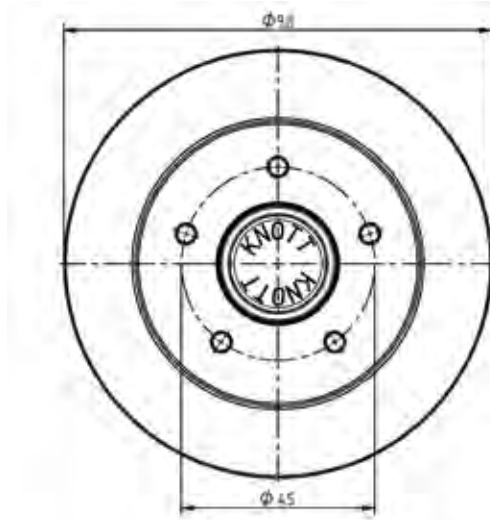
Type	Load capacity (lbs)	"c" (mm)	"b" (mm)	"l" (mm)	"x" (mm)	Offset (mm)	ET (mm)
SGB13-L	3000	1644	1200	1282		Ø112x5	26 - 35
SGB15-MV	3300	2146	1670	1752	1598	Ø112x5	0 - 45
SGB18-MV	4000	1844	1400	1482	1331	Ø112x5	26 - 35





BRAKES

Hydraulic disc brake 10" Rotor



Hydraulic caliper with parking brake

6B7616 F10

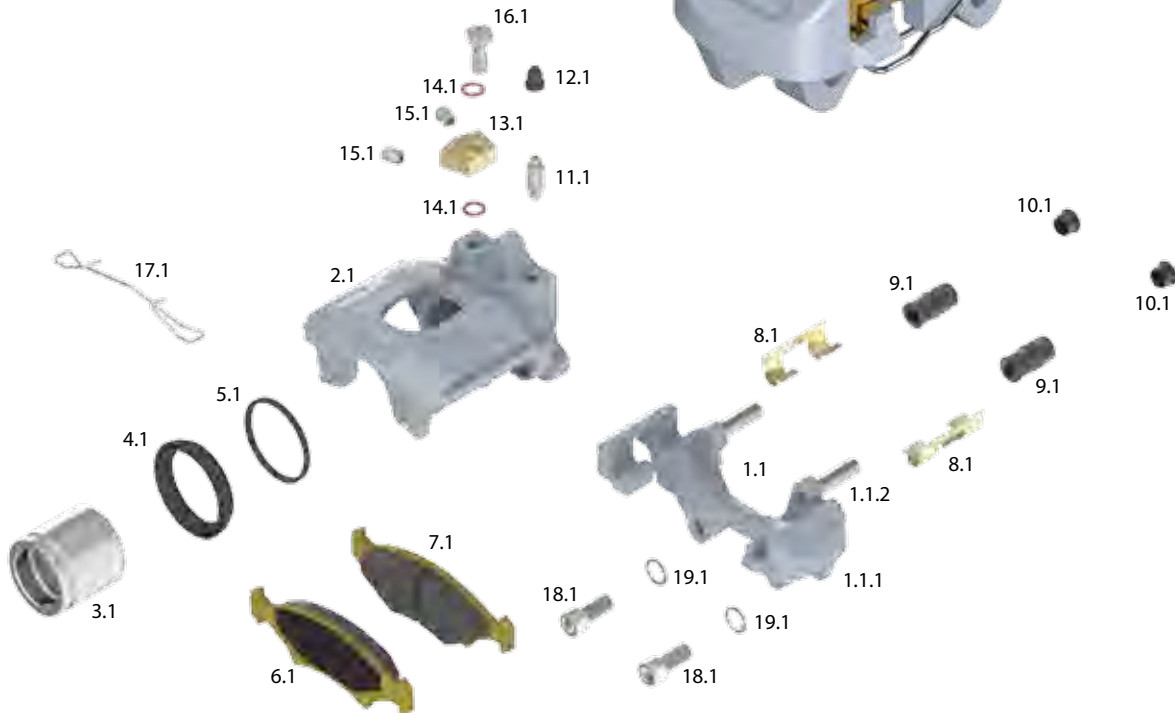
Item	Description	Pcs.	Art. Nr.
1.1	Brake anchor plate	1	6A9485.001
1.1.1	- House	1	6B4419.001
1.1.2	- Guide bolt	2	6B5954.001
2.1	Caliper	1	6A9487.001
3.1	Piston (plastic)	1	6A9488.001
4.1	Dust seal (silicon)	1	6B5956.001
5.1	Sealing ring	1	6B5955.001
6.1	Brake shoe	1	6A9492.001
7.1	Brake shoe	1	6A9490.001
8.1	Lining spring	2	6B5961.001
9.1	Rubber socket	2	6B5957.001
10.1	Cap	2	6B5962.001
11.1	Air bleeder screw	1	6B5964.001
12.1	Protective cap	1	6B5965.001
13.1	Adapter for 6B6283	1	6B6280.001
13.1	Adapter for 6B6284	1	6B6281.001
14.1	DIN 7603 A disc	2	6X7603A001
15.1	Bolt	2	6B6282.001
16.1	Press bolt	1	6B5966.002
17.1	Retaining spring	1	6B5963.001
18.1	Lock washer	1	6X1676.001
19.1	Hexagon socket head screw	1	6X0912.845



Hydraulic caliper

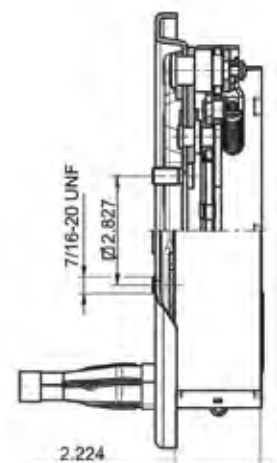
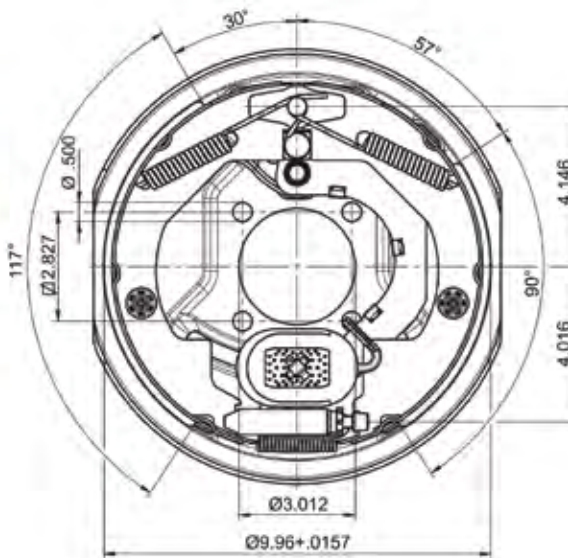
6B4615 F10

Item	Description	Pcs.	Art. Nr.
1.1	Brake anchor plate	1	6A9485.001
1.1.1	- House	1	6B4419.001
1.1.2	- Guide bolt	2	6B5954.001
2.1	Caliper	1	6A9487.001
3.1	Piston (plastic)	1	6A9488.001
4.1	Dust seal (silicon)	1	6B5956.001
5.1	Sealing ring	1	6B5955.001
6.1	Brake shoe	1	6A9492.001
7.1	Brake shoe	1	6A9490.001
8.1	Lining spring	2	6B5961.001
9.1	Rubber socket	2	6B5957.001
10.1	Cap	2	6B5962.001
11.1	Air bleeder screw	1	6B5964.001
12.1	Protective cap	1	6B5965.001
13.1	Adapter for 6B6283	1	6B6280.001
13.1	Adapter for 6B6284	1	6B6281.001
14.1	DIN 7603 A disc	2	6X7603A001
15.1	Bolt	2	6B6282.001
16.1	Press bolt	1	6B5966.002
17.1	Retaining spring	1	6B5963.001
18.1	Lock washer	1	6X1676.001
19.1	Hexagon socket head screw	1	6X0912.845

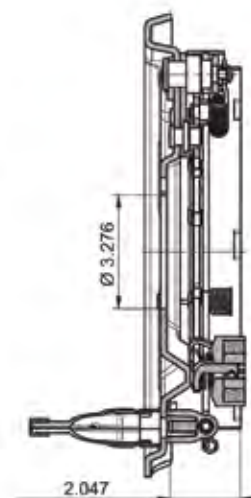
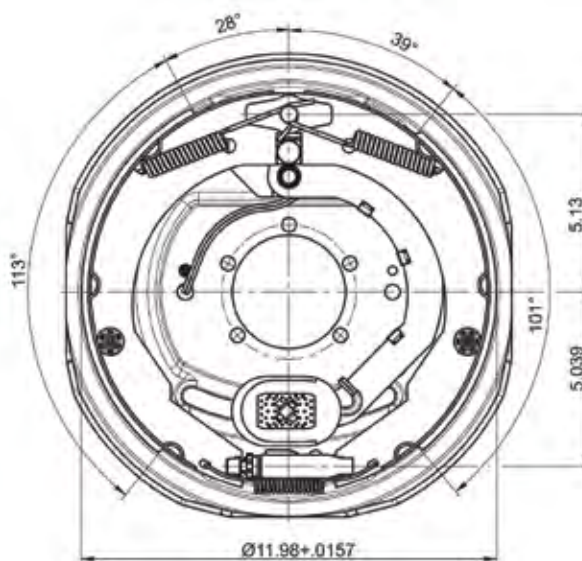


ELECTRIC DRUMBRAKES WITH PARKING BRAKE

6B2781 - 10"

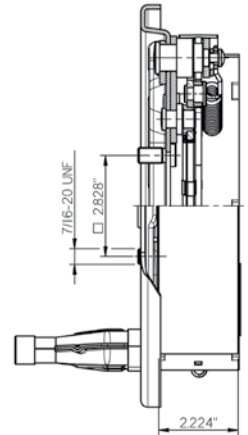
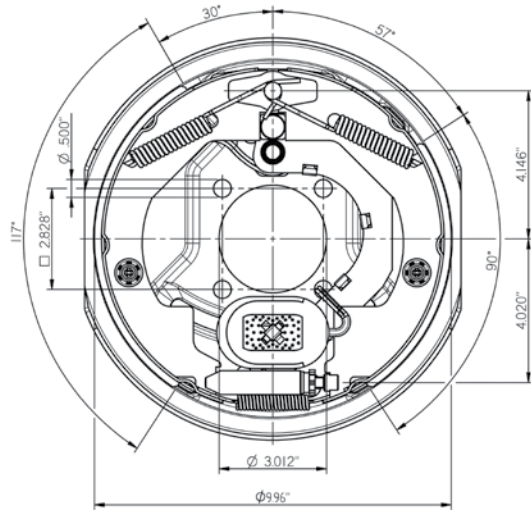


6B8257 - 12"

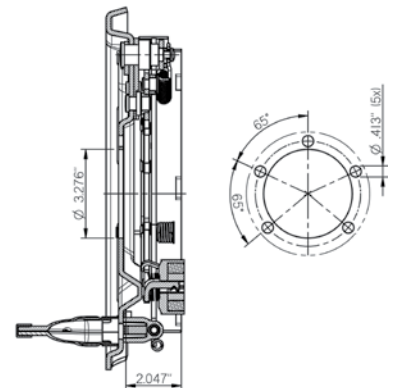
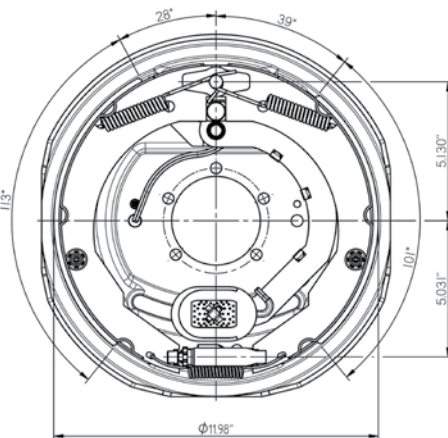


ELECTRIC DRUMBRAKES WITH PARKING BRAKE

6B2781 - 10"



6B8257 - 12"



ELECTRIC DRUMBRAKES

6X1249 - 10"



6B8256 - 12"



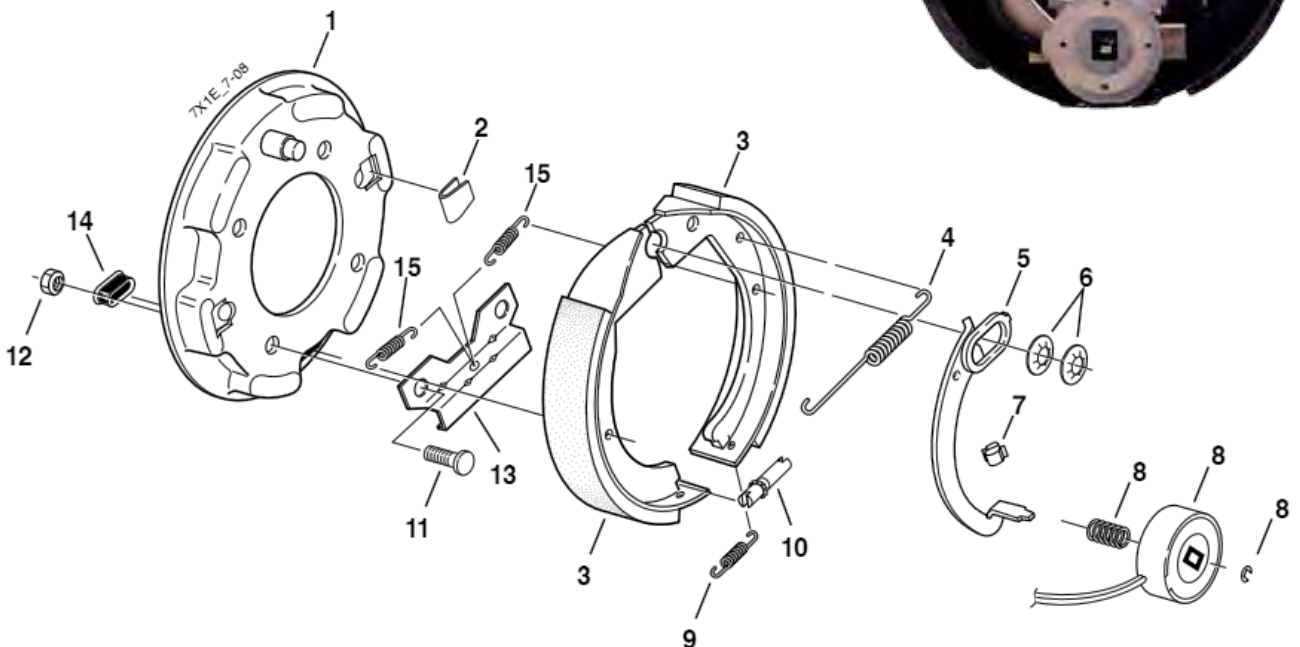
6B8256 - 12"



6X1249 - 10"

Electric drumbrake - 7"

Item	Description	QTY/BRK	Part. Nr.
0	LH Complete Brake Assebmly (shown)	1	AZ00800000L
0	RH Complete Brake Assebmly	1	AZ00800000R
1	Backing Plate Assebmly (include item 11, 13)	1	AZ00800100
2	Shoe Hold Down Clip	2	AZ00800401
3	Primary Shoe & Lining	1	AZ00801001
	Secondary Shoe & Lining	1	AZ00801002
4	Retractor Spring	1	AZ00800503
5	LH Actuating Lever Arm	1	AZ00800200L
	RH Actuating Lever Arm	1	AZ00800200R
6	Anchor Post Clip	2	AZ00800203
7	Wire Clip	1	AZ00300801B
8	Magnet Kit (include magnet clip, magnet spring)	1	AZ00800900
9	Adjusting Screw Spring	1	AZ00800501
10	Adjusting Screw	1	AZ00800300
11	Brake Mounting Bolt (Press-in)	4	AZ00800801B
*12	Brake Mounting Nut	4	N/A
13	Stablizer Bracket	1	AZ00800401
14	Adjusting Slot Plug	1	AZ00300903
15	Shoe Centering Spring	2	AZ00800503



BRAKEDRUMS

10"



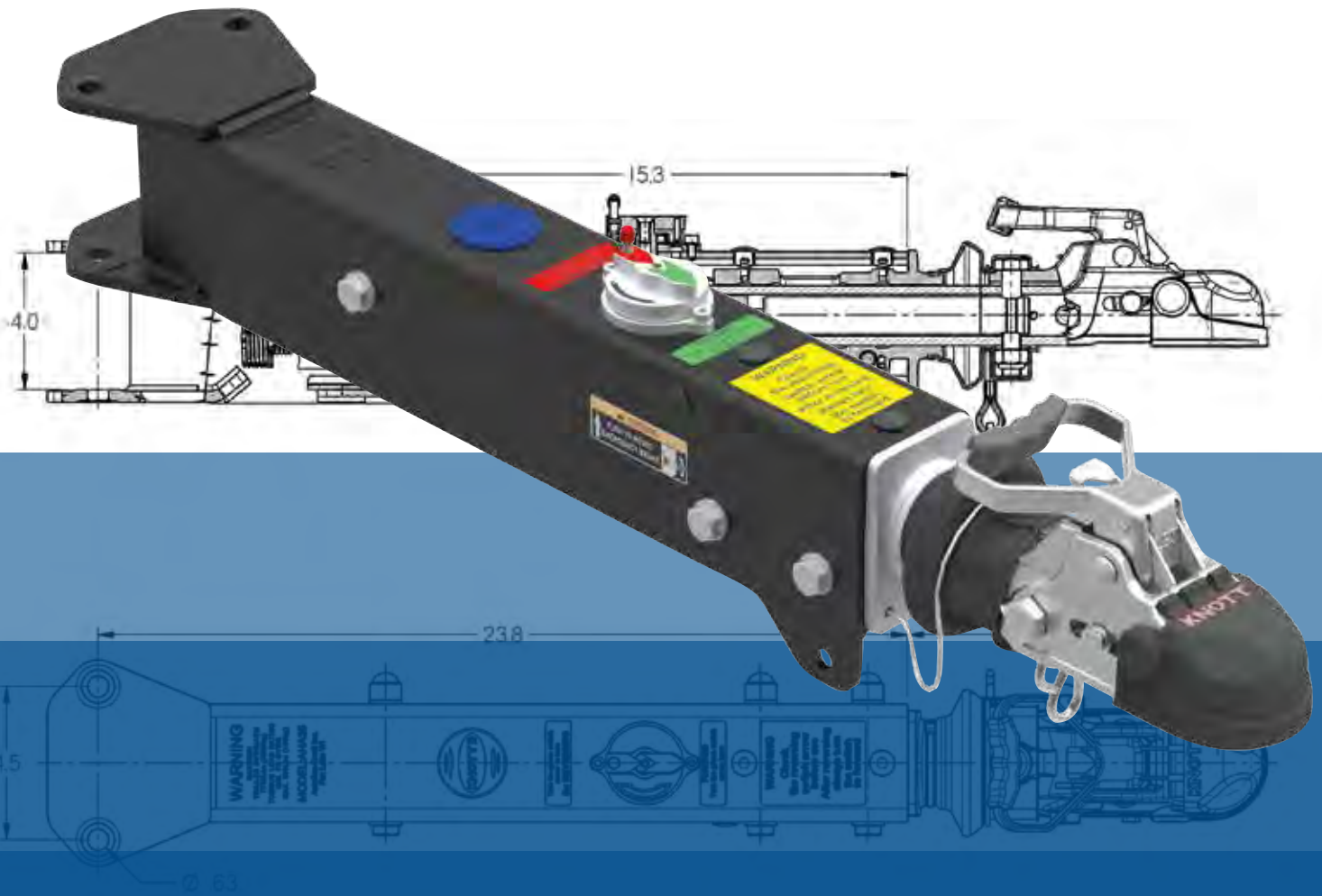
7"



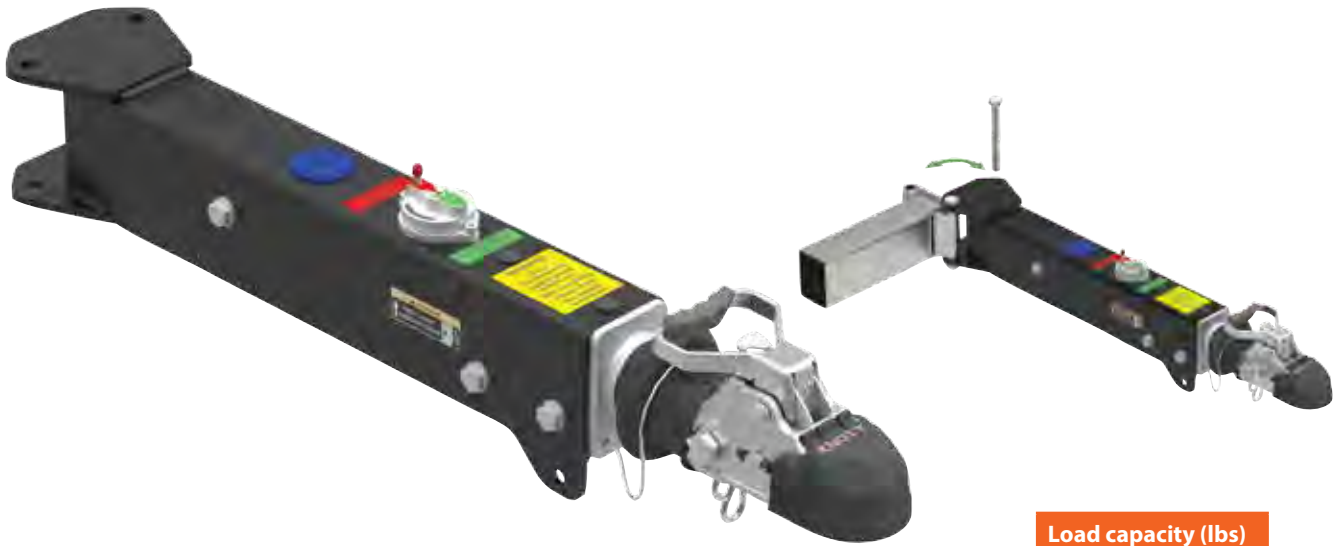
12"



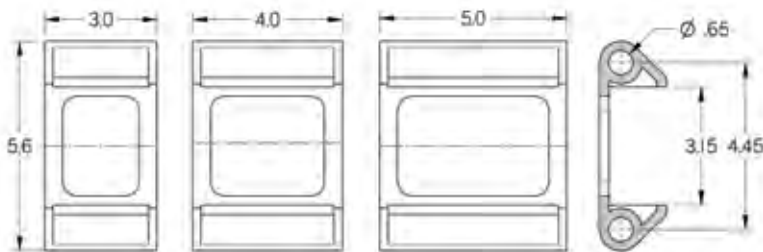
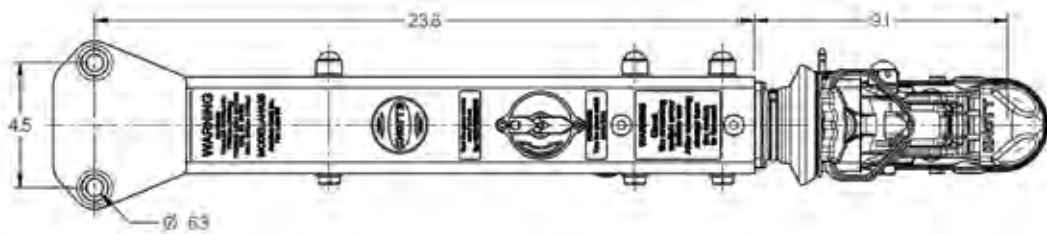
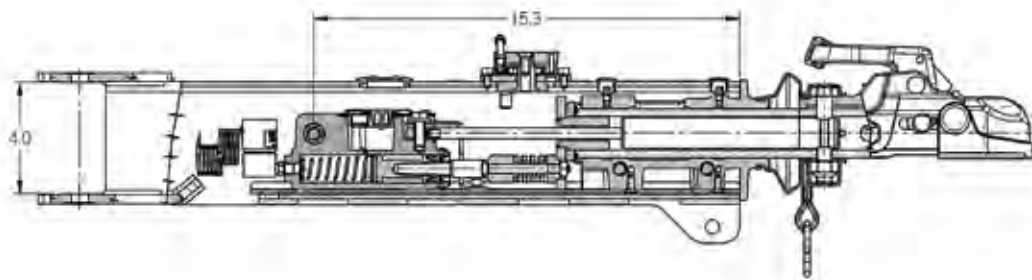


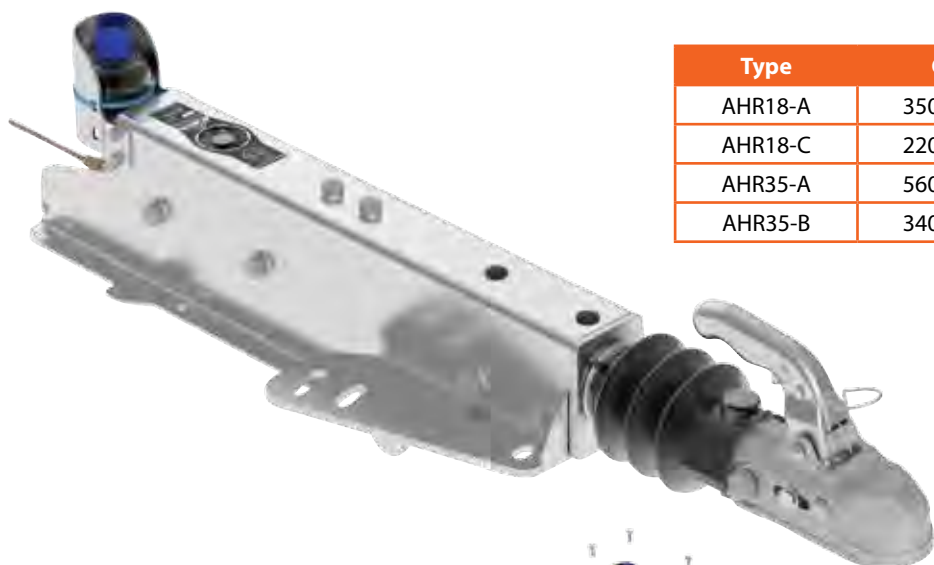


ACTUATORS

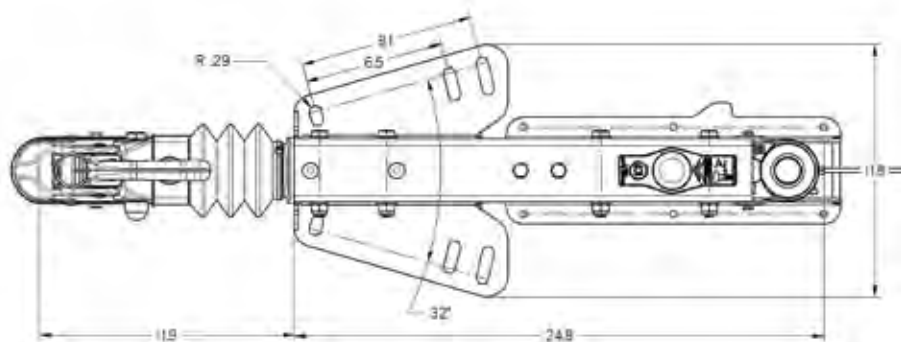
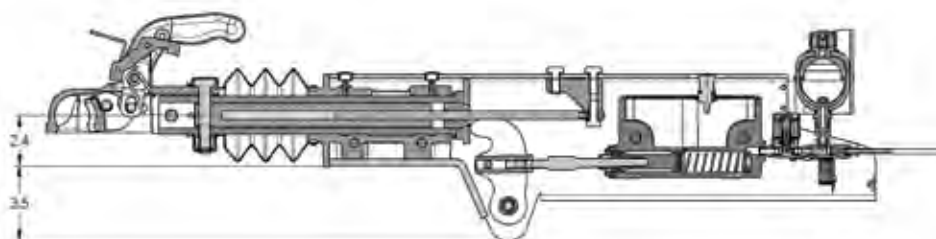
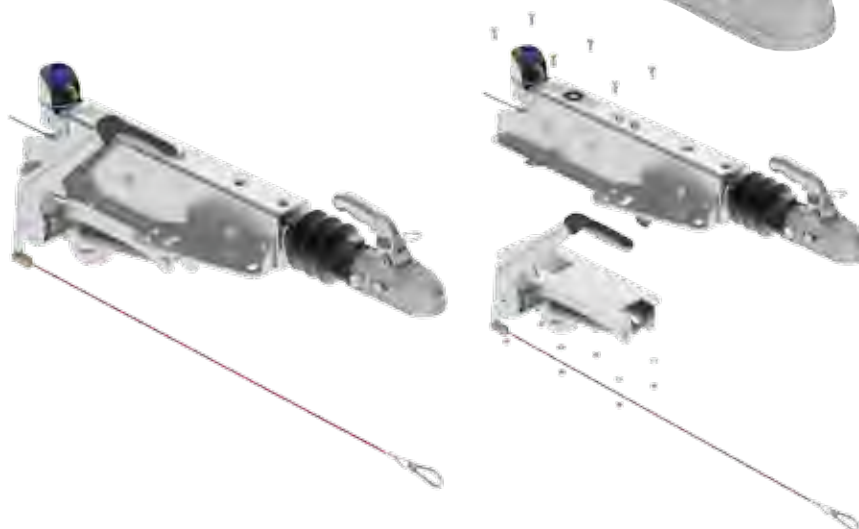


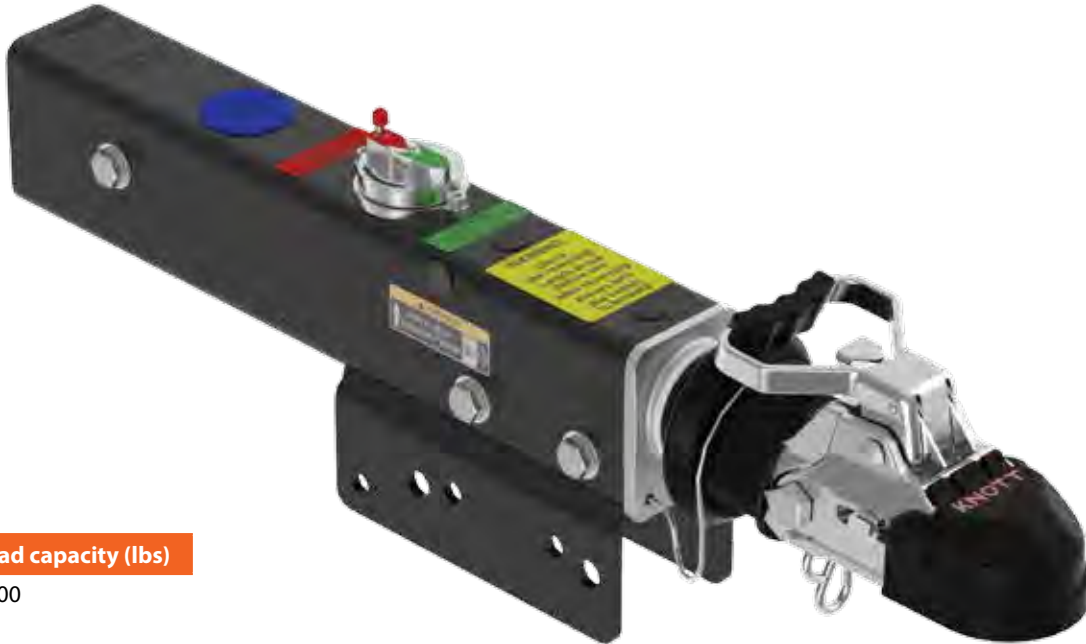
Load capacity (lbs)
7500





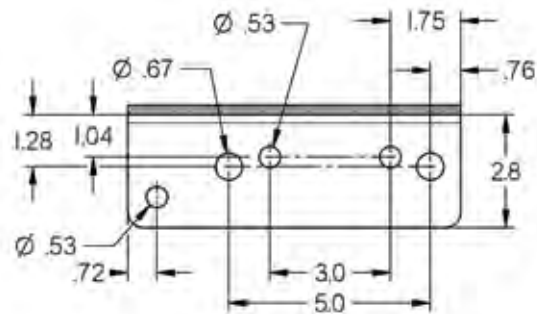
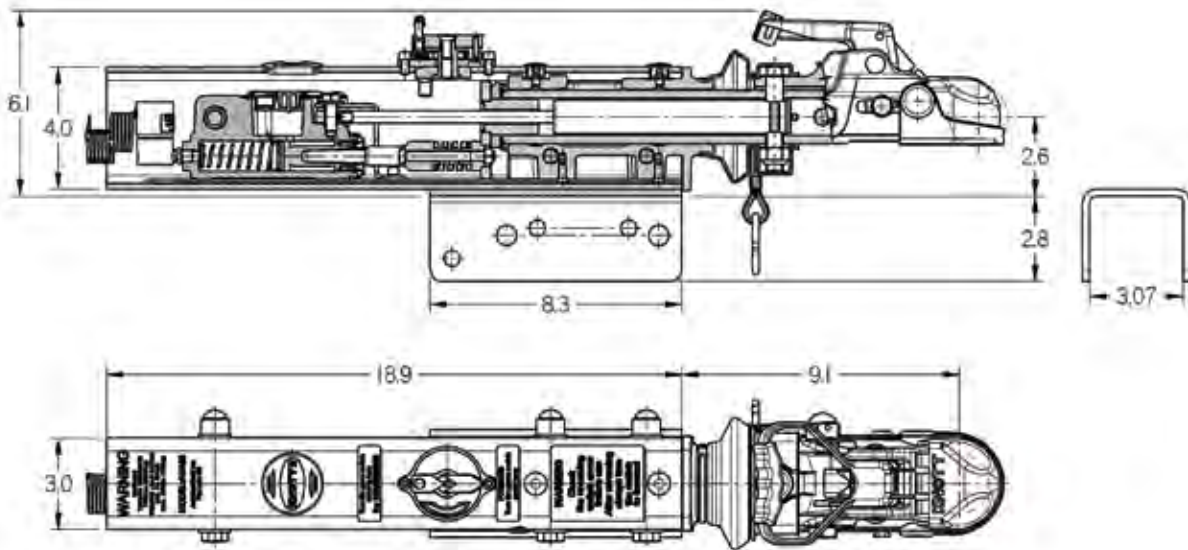
Type	Capacity
AHR18-A	3500 - 4000 lbs
AHR18-C	2200 - 3800 lbs
AHR35-A	5600 - 7700 lbs
AHR35-B	3400 - 5600 lbs

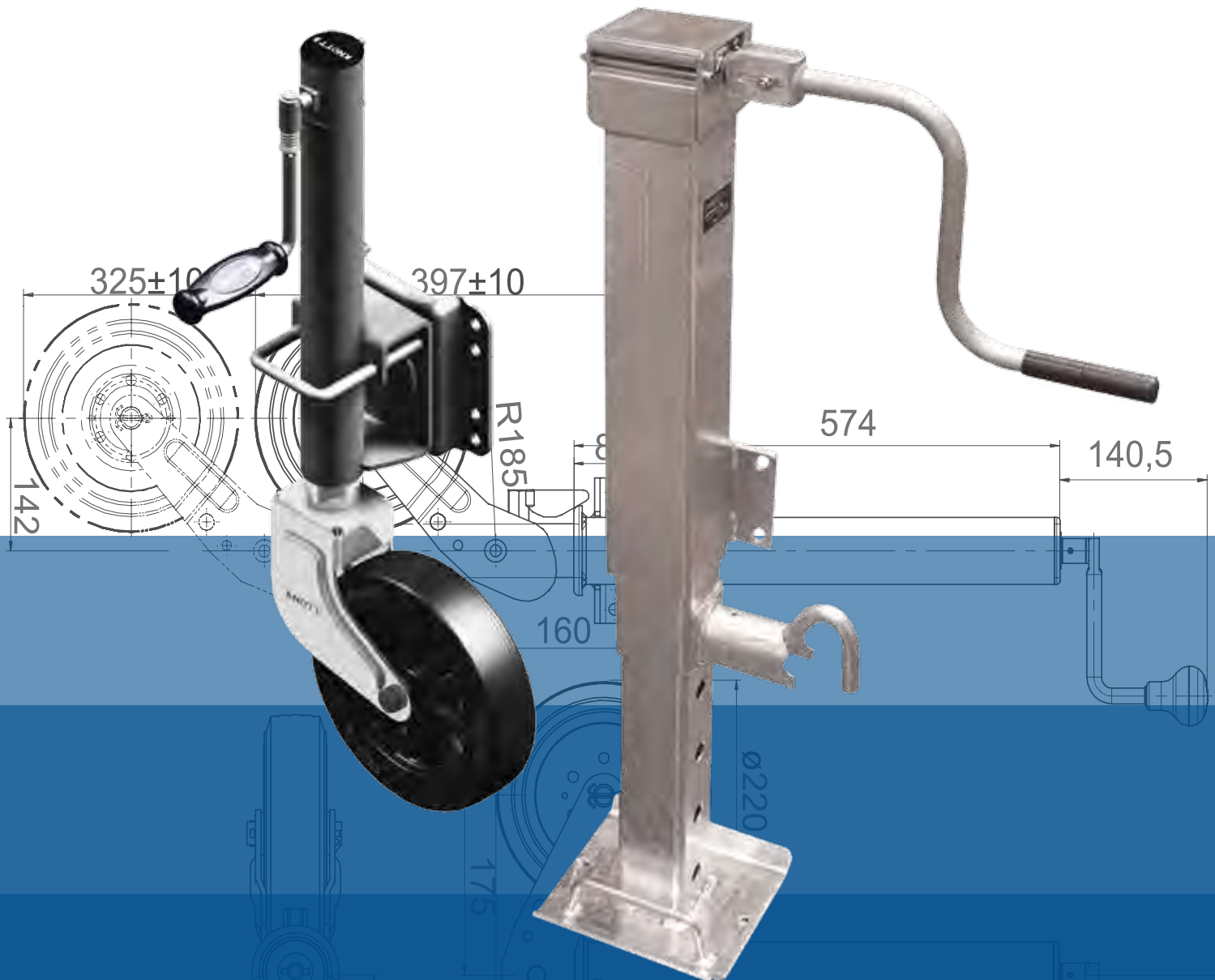




Load capacity (lbs)

7500





TONGUE JACKS, STANDS

JOCKEY WHEELS AND STANDS

The product can be used:

- for stabilizing the trailer nose
- as a stay-bar for trailers
- with jockey wheel to move the trailer easily

Surface treatment:

- hot-dip galvanization
- galvanization

Advantages:

- low maintenance cost
- swing-away option for comfortable and safe use
- the wheel is provided with needle roller or sliding bearing
- steel plate driving level with bearing and a d=5 mm pin
- automatic or fixed jockey wheel
- rotatable up to 90°
- universal crank

Operating the swing-away swivel jack

Thanks to the swing-away swivel, the jockey wheel and prop stand makes travelling safer. Before starting to travel with your trailer, put the jack into horizontal position. This way the wheel is not able to touch the ground which prevents fraying. When the vehicle is stopped put the jack into vertical position.

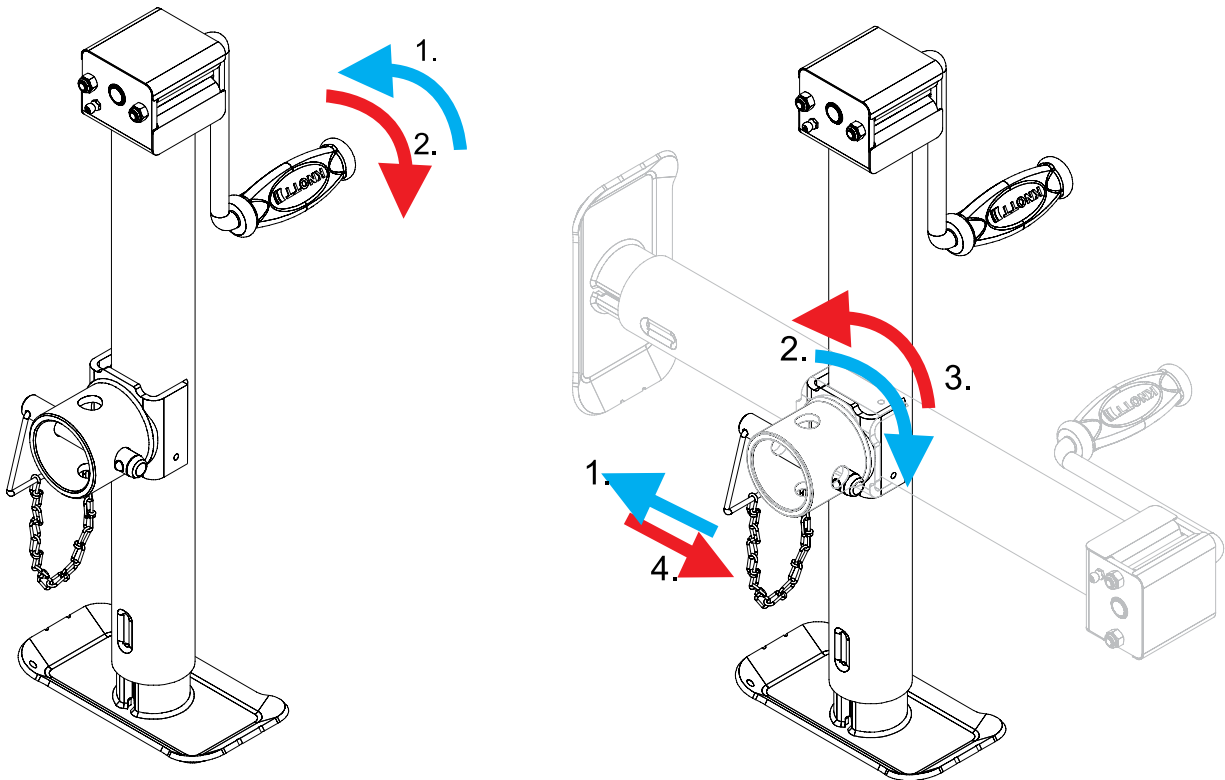
In both vertical and horizontal positions the plunger must be secured into the mating hole of the mounting bracket.

Operating instructions of the swing-away swivel:

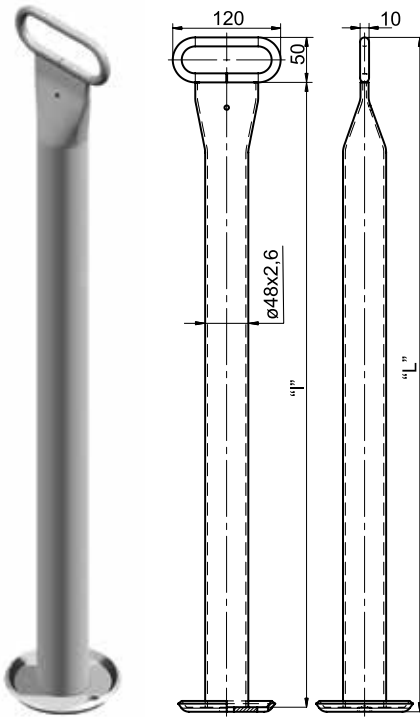
1. Secure the trailer
2. Pull the plunger pin (U-bolt) out of the opening
3. Swivel the jack
4. Rotate either left or right until the plunger pin snaps properly into the hole of the mounting bracket

Please ask for further information from our contact about the assembly and operating of the Autoflex jockey wheel.

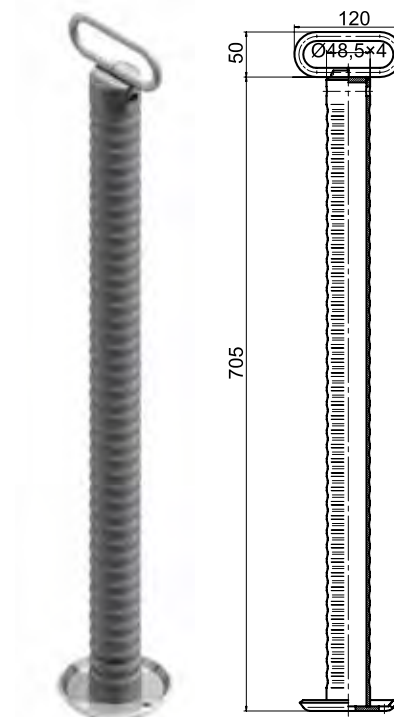
Operating instructions of the swing-away swivel



TL 48



TL 48H



TL 48

L (mm)	l (mm)	Surface treatment	Art. number
590	535	FeZn12	6D5749.001
590	535	hot-dip galvanized	6D5749.002
710	655	FeZn12	6D5749.003
710	655	hot-dip galvanized	6D5749.004
900	845	FeZn12	6D5749.005
900	845	hot-dip galvanized	6D5749.006
550	495	FeZn12	6D5749.007
550	495	hot-dip galvanized	6D5749.008
650	595	FeZn12	6D5749.009
650	595	hot-dip galvanized	6D5749.010
750	695	FeZn12	6D5749.011
750	695	hot-dip galvanized	6D5749.012
850	795	FeZn12	6D5749.013
850	795	hot-dip galvanized	6D5749.014

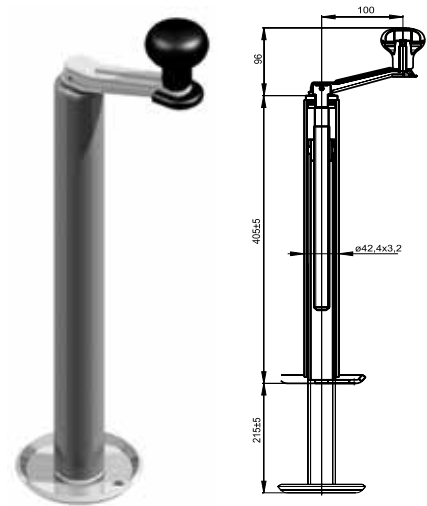
TL 48H

Model	Vertical load (max.)	Note	Art. number
TL 48H	600 lbs	locking with clamp	6D6585.001



Telescopic stand TTL 42

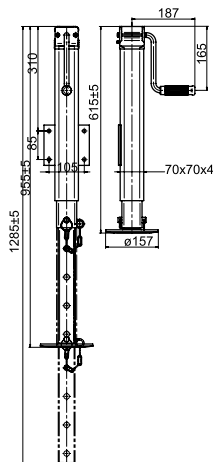
Model	Vertical load (max.)	Note	Art. number
TTL 42	550 lbs	locking with clamp	6D5981.001



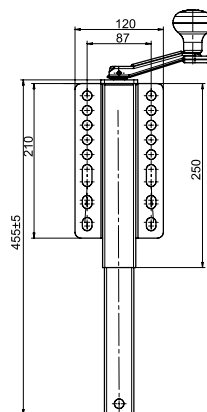
Heavy duty telescopic stand

Model	Vertical load (max.)	Note	Art. number
TTLS 70	3300 lbs	locking with bolt	6D6334.001
TTL 80	3300 lbs	locking with bolt	6D6888.001
TTL 205×120	3300 lbs	locking with bolt	6D7877.001

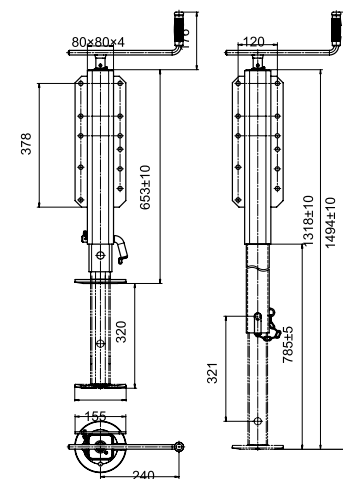
TTLS 70



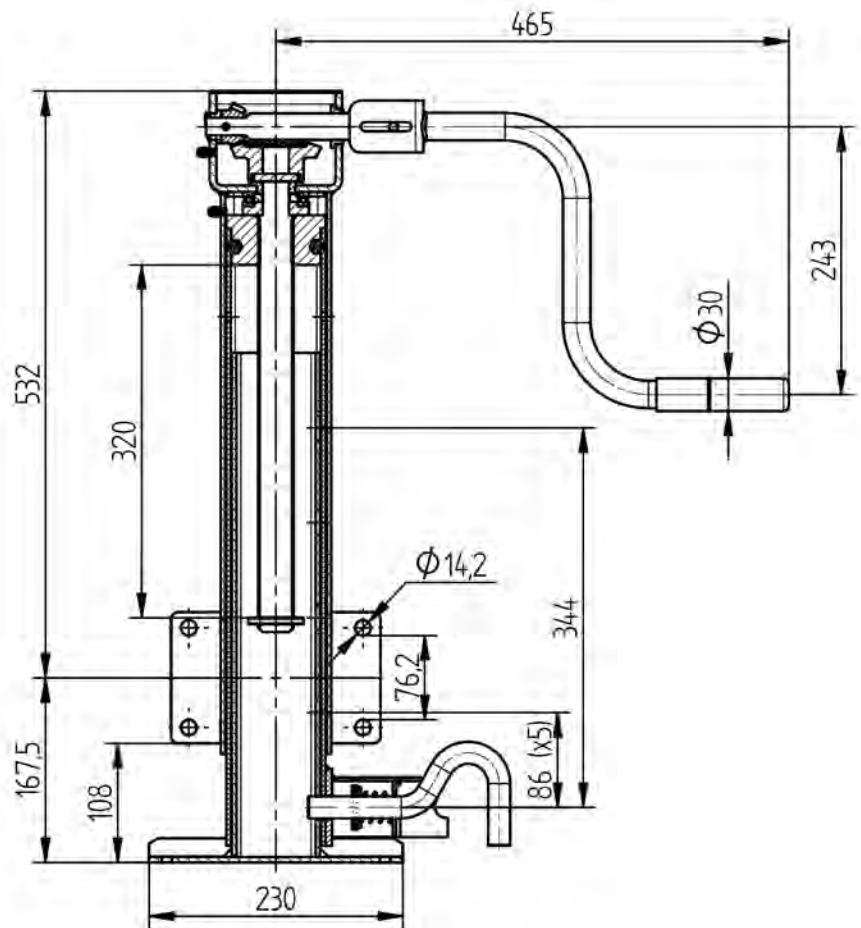
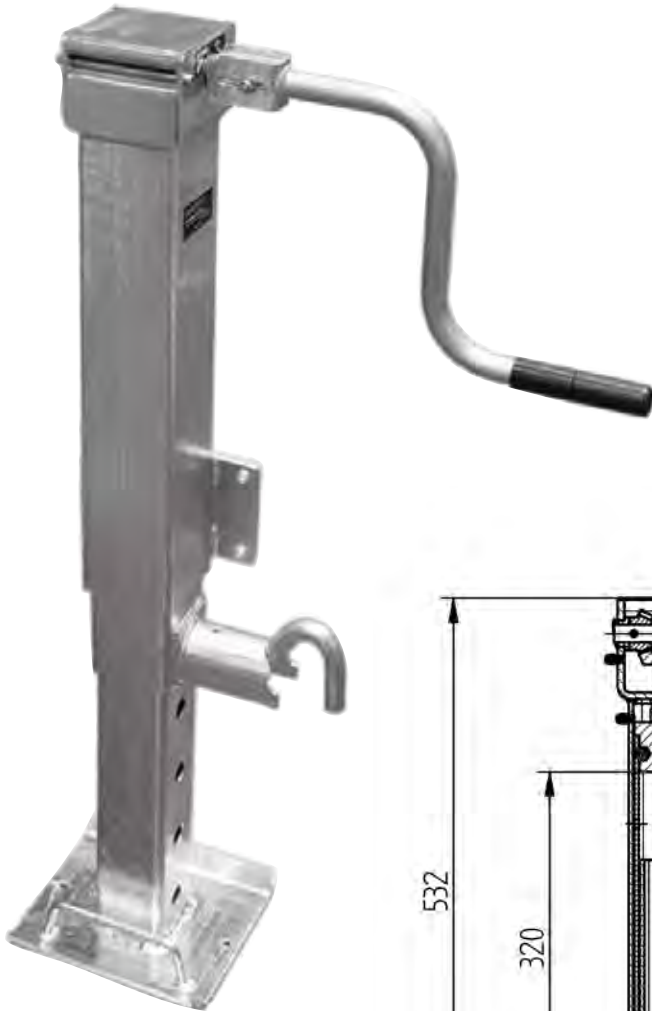
TTL 205×120



TTL 80

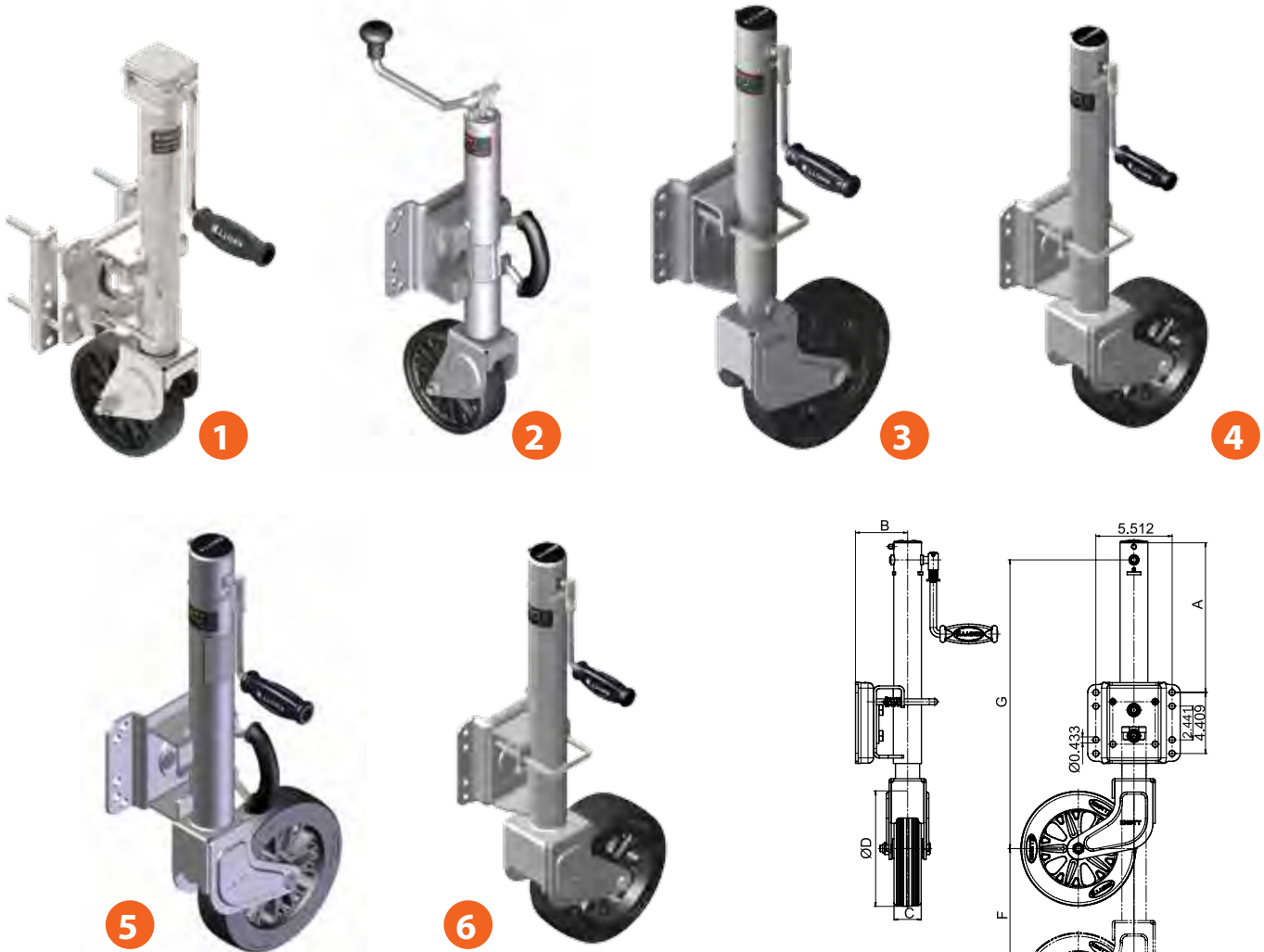


Heavy duty telescopic stand 10 000 lbs





SWING-AWAY SWIVEL JACK



Nº	Model	Load capacity	Lifting height	Handle	Art. number
1.	TK48-150/47M	1200 lbs	215 mm	sidewind	6D8374.001
2.	TK48-150/47M	1200 lbs	211 mm	top	6D8224.001
3.	TK51-210/50M	1200 lbs	254 mm	sidewind	6D7983.001
4.	TK57-210/50M	1200 lbs	200 mm	sidewind	6D8116.001
5.	TK57-210/50M	1200 lbs	255 mm	sidewind	6D8168.001
6.	TK57-210/75M	1200 lbs	300 mm	sidewind	6D7706.001

Size (mm)	6D8374	6D8224	6D7983	6D8116	6D8168	6D7706
A	274	166,5	275	200	277,5	322
B	122,5	86	95	91	90	99
C	47	47	50	50	50	75
ØD	153	153	210	212	212	210
E	52	52	102	102	102	102
F	216	211	254	200	255	300
G	467	447	530	443	506	570

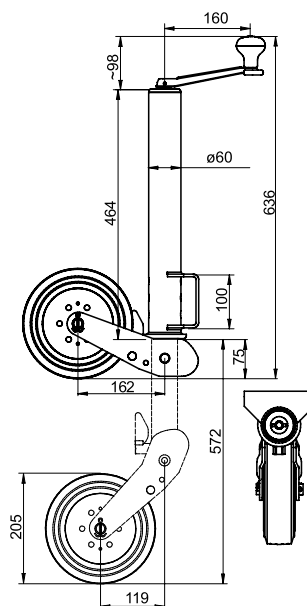


RETRACTABLE JOCKEY WHEEL FOR TRAILERS AND CARAVANS

ATK 60-205/50 AC



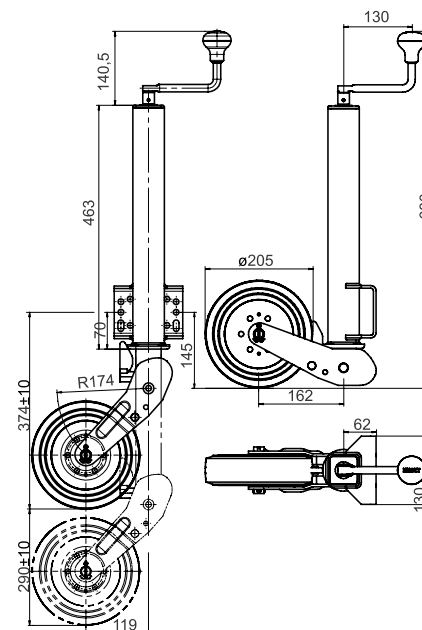
Round



ATKS 60-205/50 AC

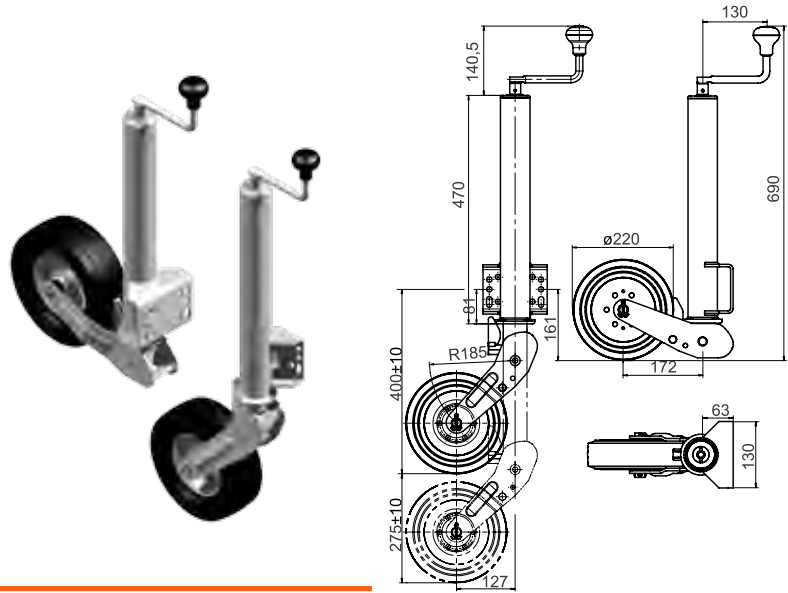


Square



Type	Vertical load (max.)	Wheel material	Wheel size	Art. number
ATK 60-205/50 AC	330 lbs	solid rubber + sheet metal rim + slide bearing	205×50	6D5093.001
ATKS 60-205/50 AC	330 lbs	solid rubber + sheet metal rim + slide bearing	205×50	6D5538.001

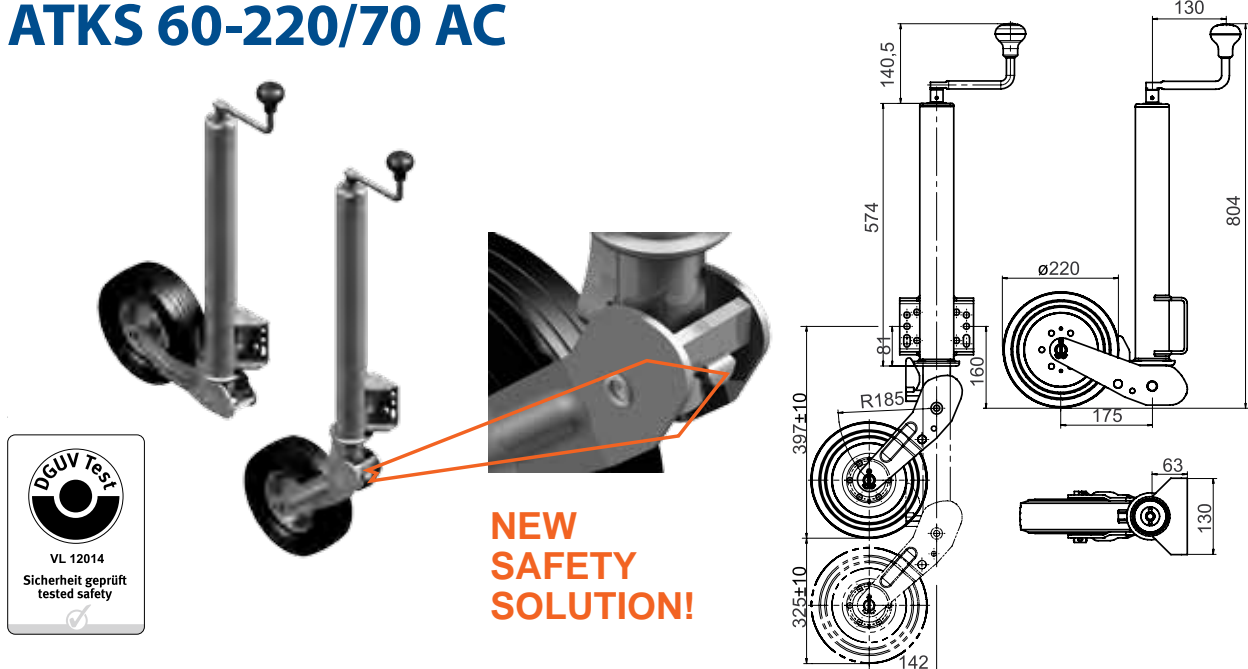
ATK 60-220/70 AC



Automatic jockey wheel with safety function

- ATK60S jockey wheel supports any type of drawbar for mono or tandem trailer with max. of 3500 kg load capacity.
- Through an innovative design this jockey wheel prevents accidental collapse of the swing arm thus avoiding risk of injury.
- The swing arm can be folded only in unloaded state.

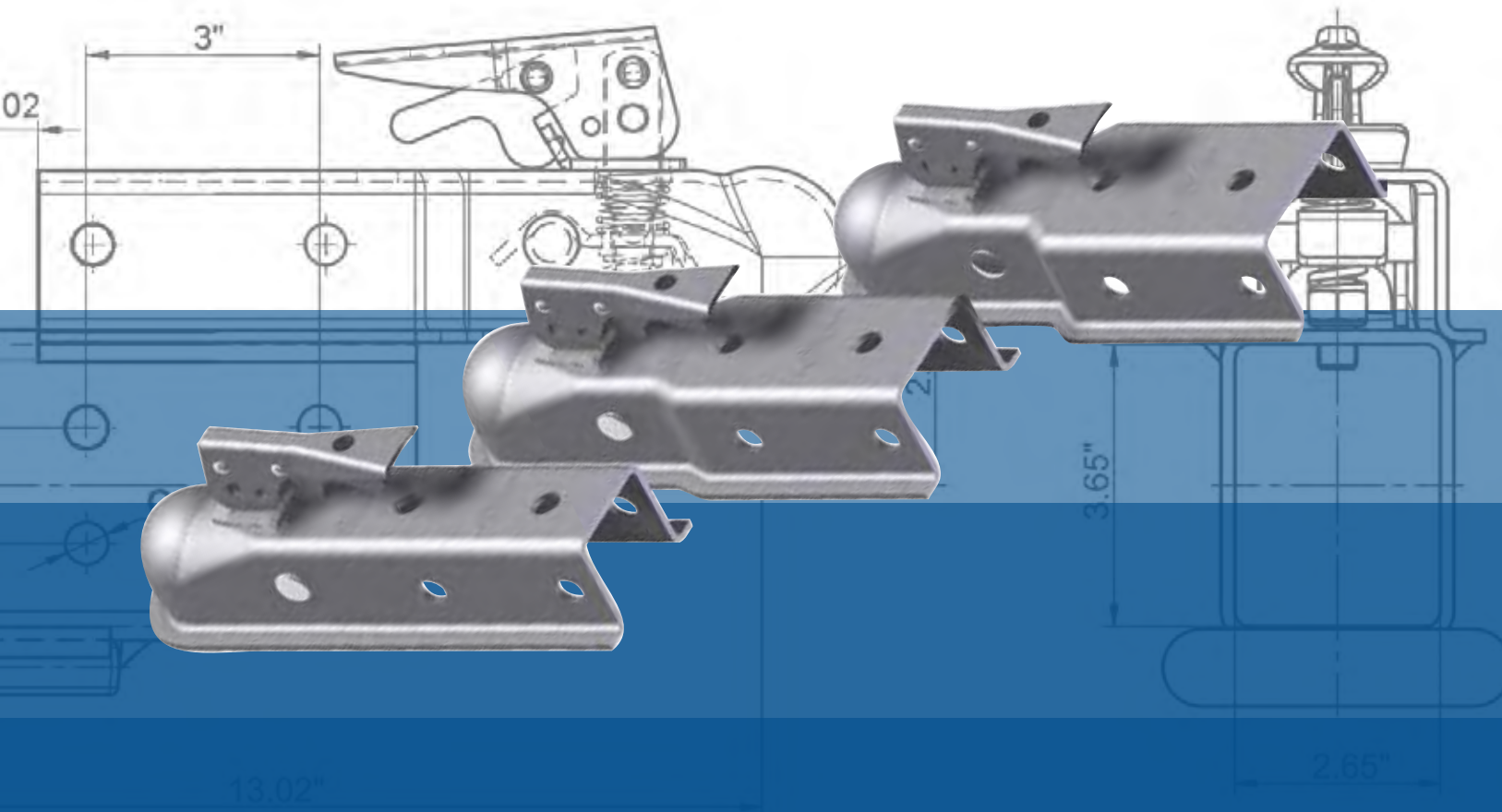
ATKS 60-220/70 AC



**NEW
SAFETY
SOLUTION!**

Type	Vertical load (max.)	Wheel material	Wheel size	Art. number
ATK60-220/70 AC	330 lbs	solid rubber + sheet metal rim + needle bearing	220x70	6D5345.001
ATK60S-220/70 AC	550 lbs	solid rubber + sheet metal rim + needle bearing	220x70	6D8539.001
ATK60S-210/75 AC	1100 lbs	solid rubber + sheet metal rim + needle bearing	210x75	6D8499.001
ATK60S-210/75 M	1100 lbs	solid rubber + sheet metal rim + needle bearing	210x75	6D7933.001

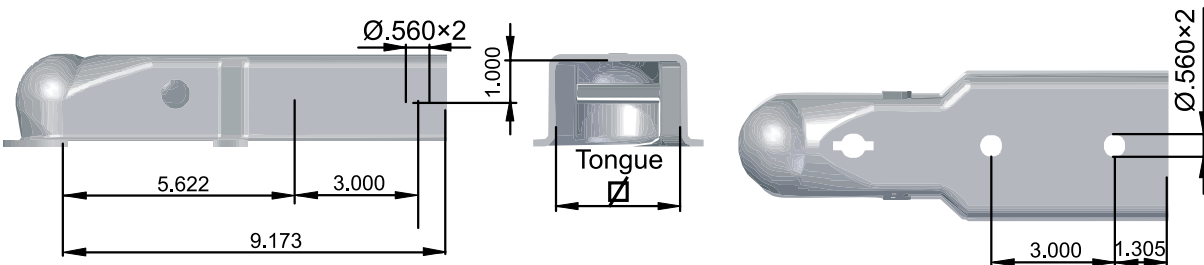
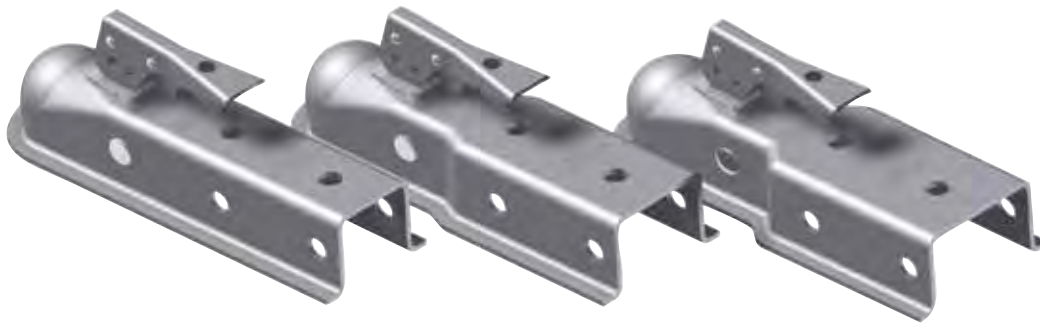




COUPLERS

Coupling head 2"

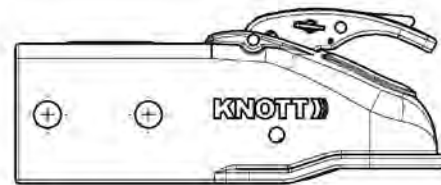
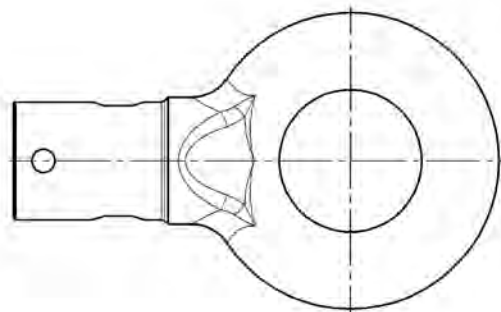
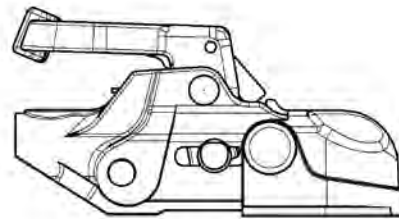
- SAE Class: II
- Construction: stamped steel
- These type of couplers are sold on the USA market



Trailer GVW (Lbs)	Ball size (in)	Tongue (in)
3500	2"	2"
3500	2"	2 1/2"
3500	2"	3"
5000	2"	2"

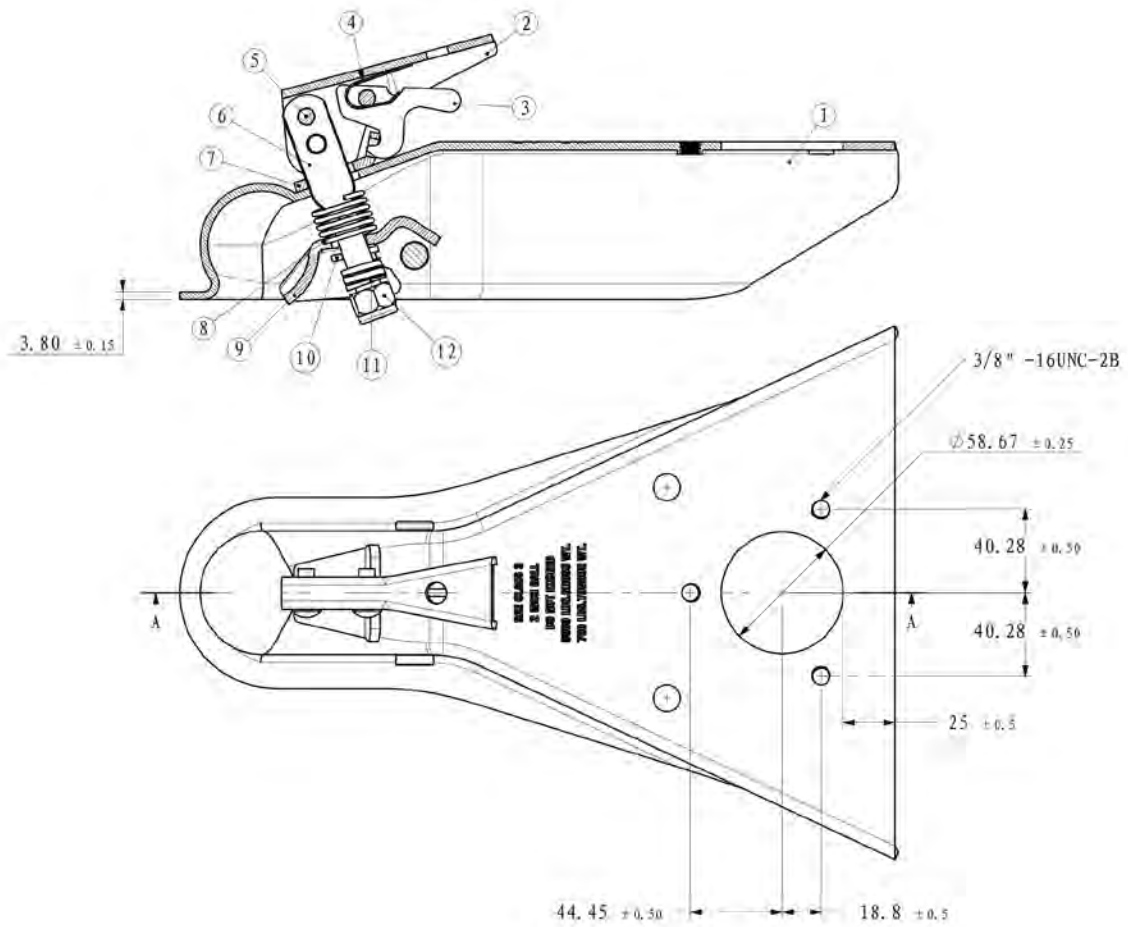


Coupling head



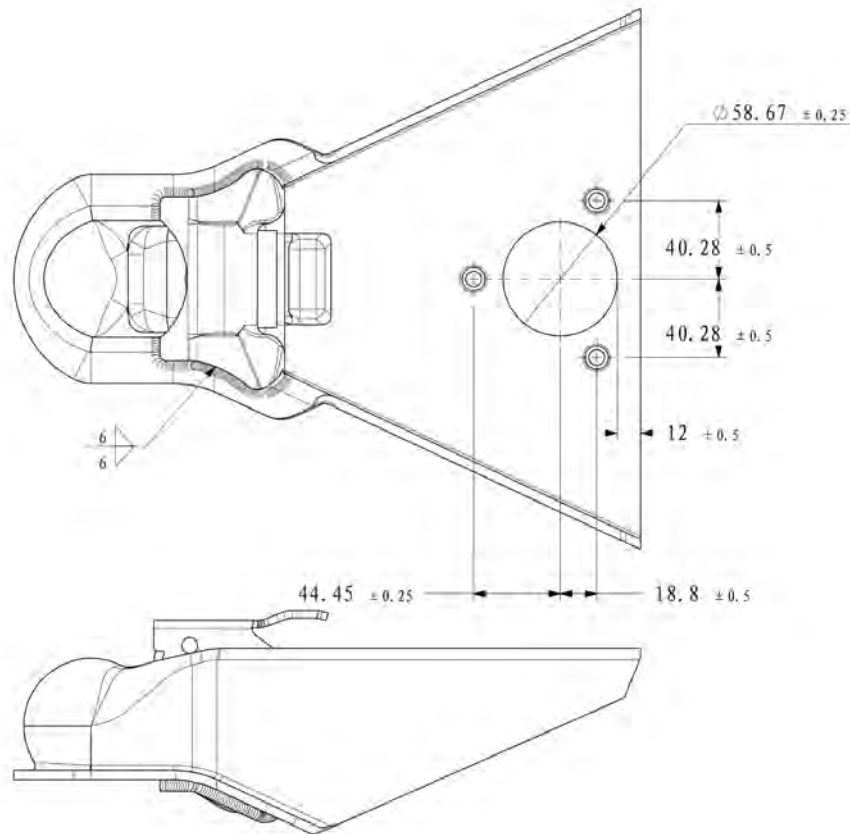
Coupling head

- Ø 2"
- 5000 lbs

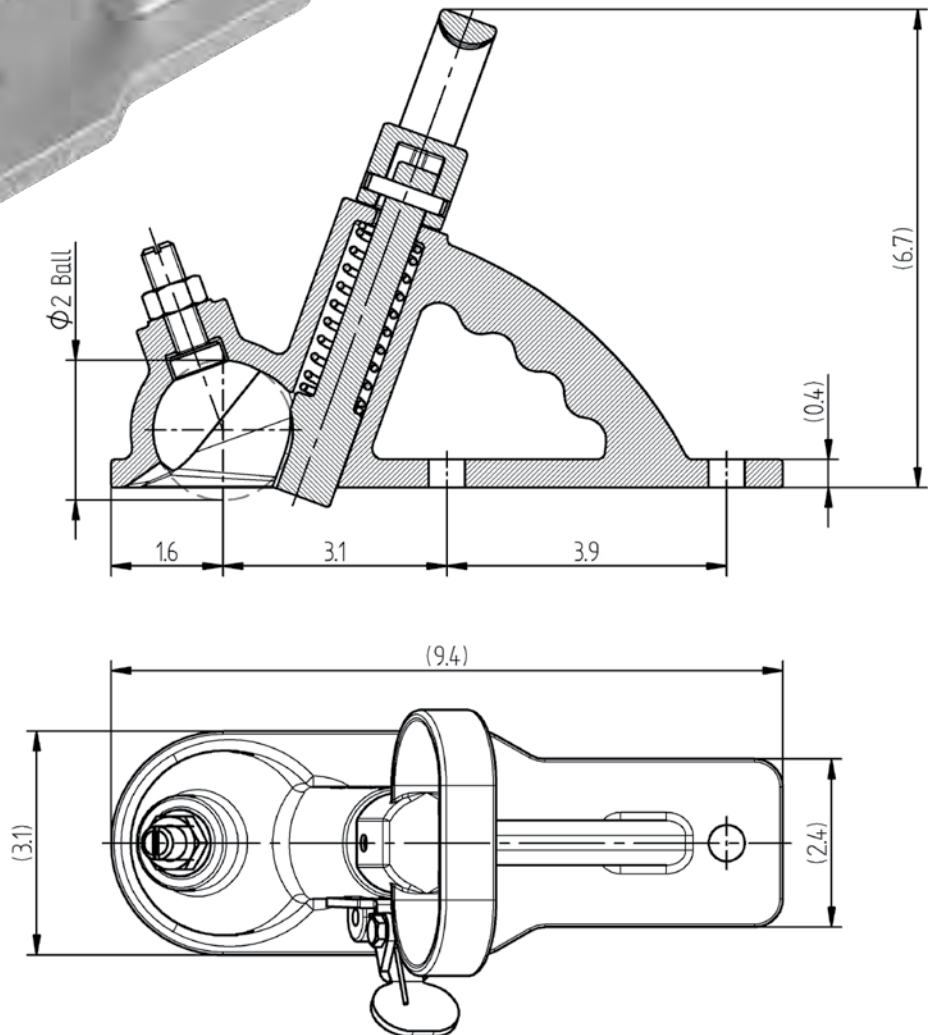


Coupling head

- $\varnothing 2\ 5/16''$
- 14 000 lbs



Australian coupler

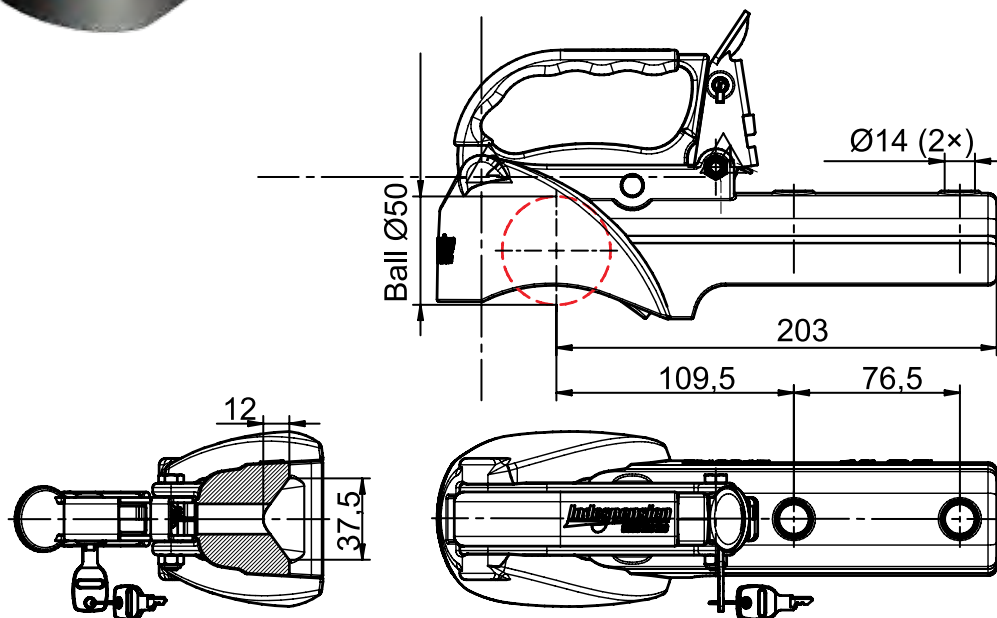


South Africa coupler

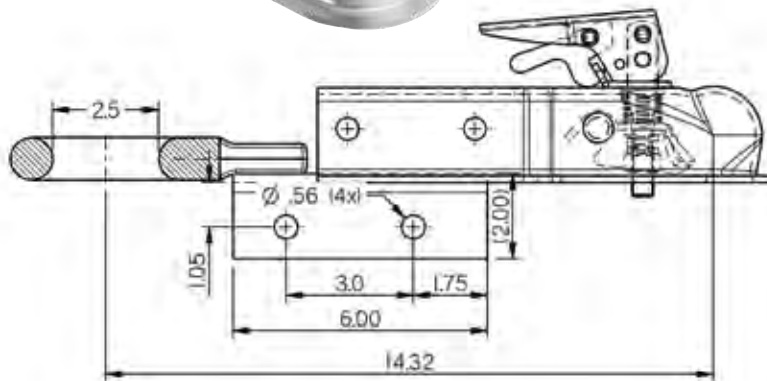
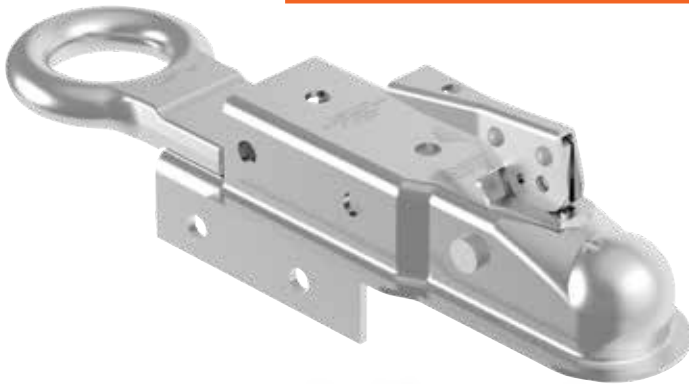
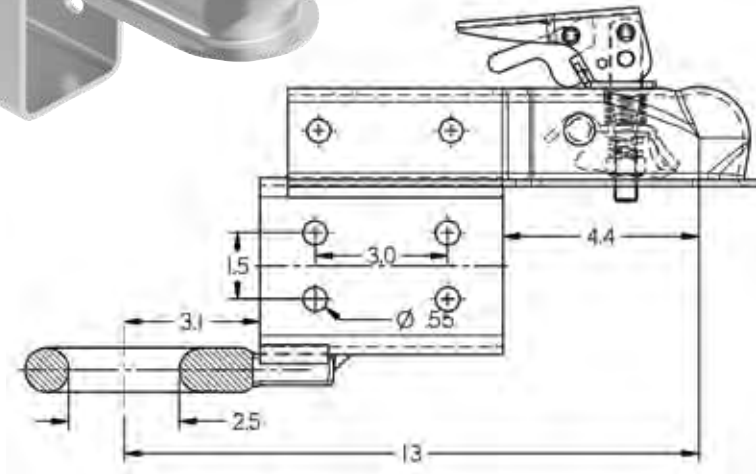
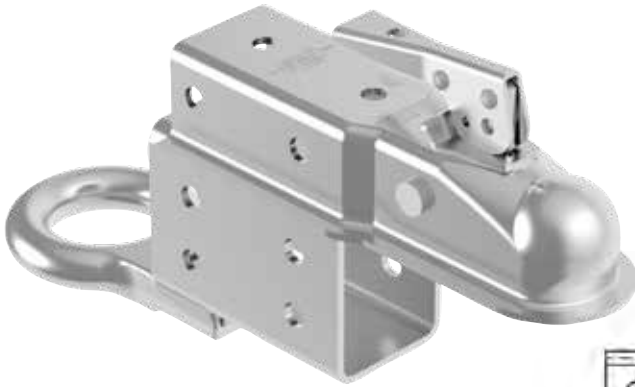
Type	Max. load capacity	D-Value	Vert. load capacity	Material	ECE number	Article number
BQ-27	6000 lbs	24,43 kN	330 lbs	casting	55R-011478	6E0286.001



- Lockable
- Soft dock and lock included

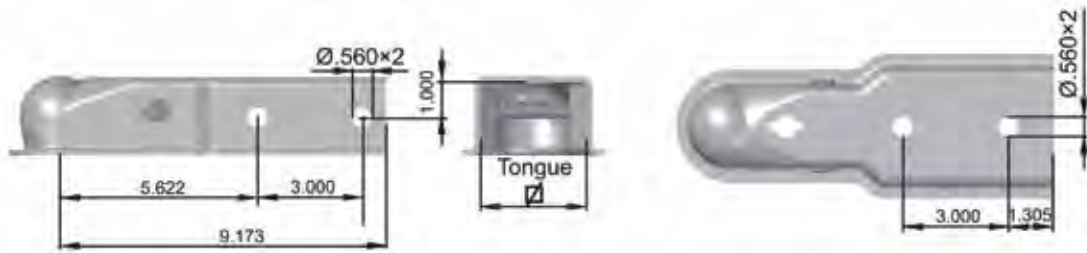


COMBO HITCH

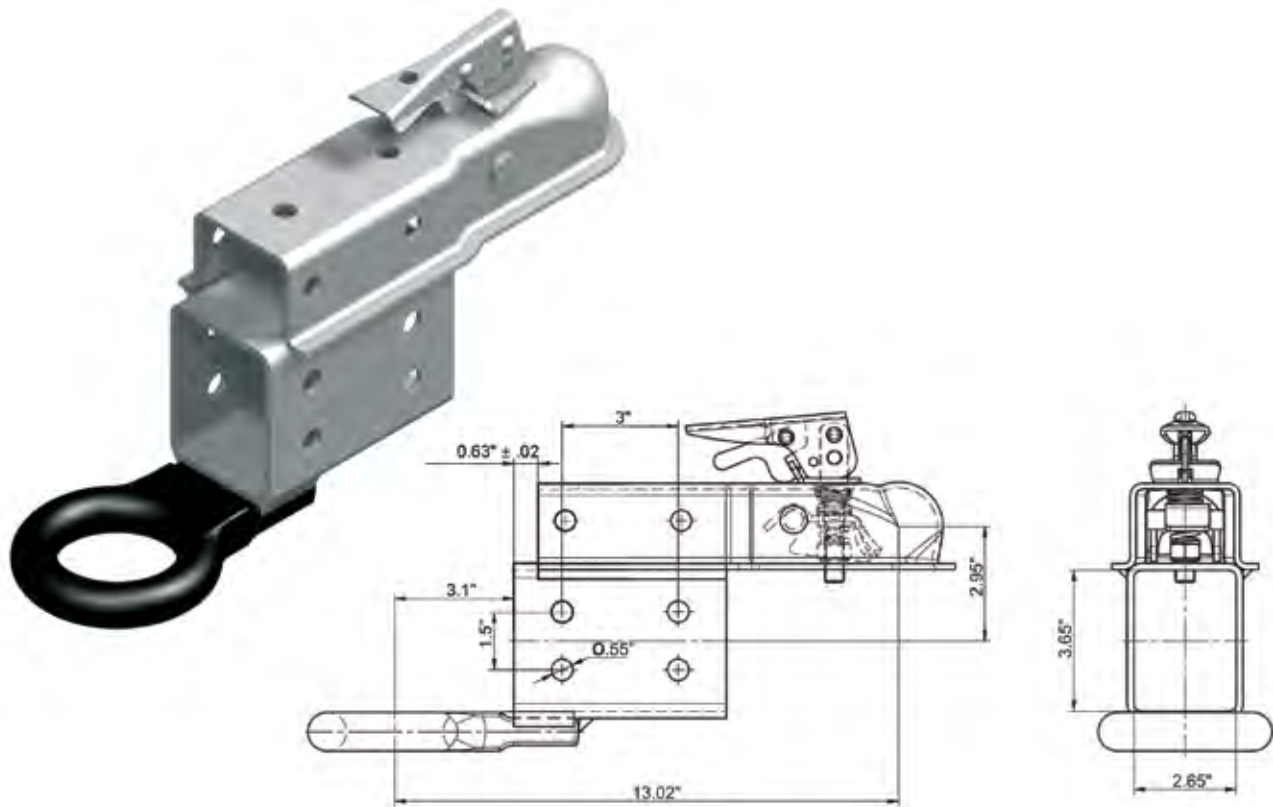


Combo Hitch

- 157" wall thickness
- reinforced design



Type	Trailer GVW (Lbs)	Ball size (in)	Tongue (in)	SAE Class	Construction	Art. Nr.
6E250	3500	2"	2"	II	Stamped Steel	6X1393.008
6E251	3500	2"	2 ½"	II	Stamped Steel	6X1393.009
6E252	3500	2"	3"	II	Stamped Steel	6X1393.010



OUR COUPLERS

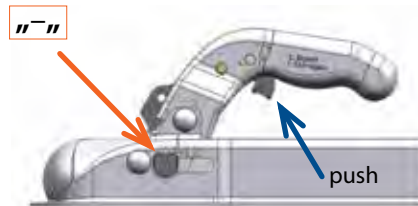
Autoflex-Knott couplers are safe and easy to use

All Knott ball couplers are equipped with safety check indicator. The red-green-red label shows the position of the computer.

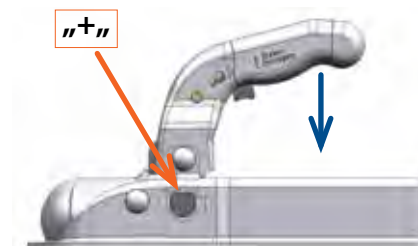
- - (red) uncoupled
- + (green) coupled
- x (red) open



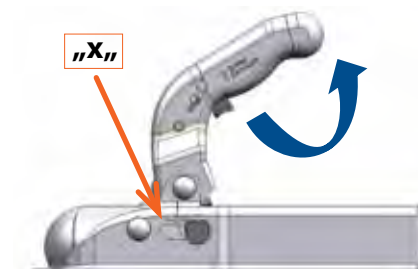
1. Uncoupled (empty)



2. Open



3. Coupled (pushed)



Coupling and uncoupling

Uncoupling: Push the trigger and pull the coupling handle upwards. The coupling is now released and will automatically remain open during which the indicator button stays in the red field with the large "X" in it.

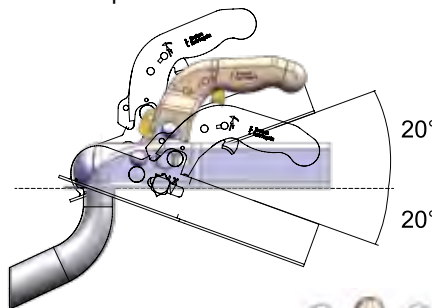
Do not drive the trailer in this position!

Coupling: Place the ball coupler (that should be in an open position marked with X) on the top of the hitch-ball of the tow vehicle, which, if applied correctly, produces a short clicking sound. When the ball coupler is adjusted properly, the indicator automatically jumps to the green zone marked with (+).

If the indicator is in the red zone marked with (-), the coupling is not applied properly on the tow vehicle. If this is the case, it is prohibited to tow the trailer!

For more information, please read the service book.

The ball coupler's pivot range is max $\pm 25^\circ$ around the vehicle's longitudinal axis. It can swing within a range of $\pm 20^\circ$ on the horizontal plane.

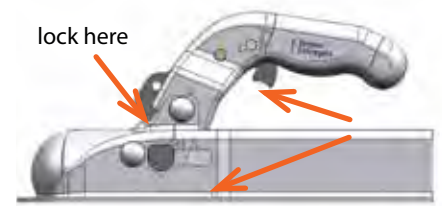


Advantages:

- material steel plate or casting
- surface treatment galvanization
- the product went through a 500 hours salt spray test
- comfortable to handle (different types are available)
- easy to use with the trigger
- lockable in both disconnected and connected state
- has a safe construction

Additional parts:

- plug holder
- coupler lock
- protector
- safety ball

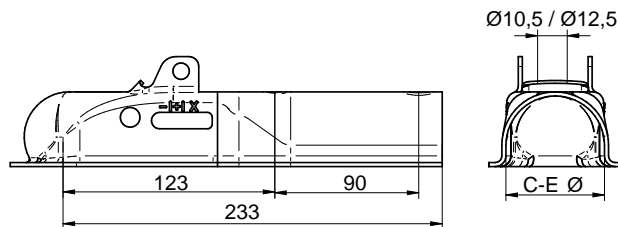


The coupler can be blocked in both disconnected and connected state.

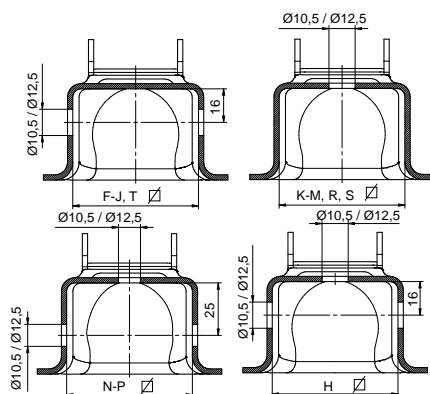
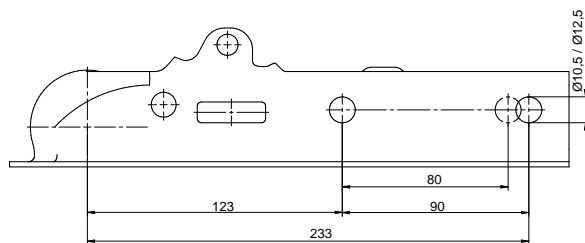


Coupling head for ISO/50 (K 7,5)

Type	Joint size (mm)	ECE number	Art. number
K7.5CN3	Ø 50 vertical	-	6E0083.023
K7.5DN3	Ø 60 vertical	-	6E0083.029
K7.5EN3	Ø 70 vertical	-	6E0083.033
K7.5FN3	Ø 40 horizontal	55R-011040	6E0081.005
K7.5GN3	Ø 45 horizontal	55R-011040	6E0081.013
K7.5HN3	Ø 50 horizontal	55R-011040	6E0081.021
K7.5IN3	Ø 60 horizontal	55R-011040	6E0081.031
K7.5JN3	Ø 70 horizontal	55R-011040	6E0081.037
K7.5KN3	Ø 50 függőleges	55R-011040	6E0081.045
K7.5LN3	Ø 60 vertical	55R-011040	6E0081.053
K7.5MN3	Ø 70 vertical	55R-011040	6E0081.061
K7.5NN3	Ø 50 horizontal / vertical	55R-011040	6E0081.072
K7.5ON3	Ø 60 horizontal / vertical	55R-011040	6E0081.080
K7.5PN3	Ø 70 horizontal / vertical	55R-011040	6E0081.088
K7.5RN3	Ø 45 vertical	55R-011040	6E0081.090
K7.5SN3	Ø 40 vertical	55R-011040	6E0081.091



- Max. load: 1500 lbs
- D-value: 7,2 kN
- Vertical load capacity: 170 lbs
- Material: steel



COUPLER SAFETY ACCESSORIES



Soft dock



Safety ball



Coupler hitch lock

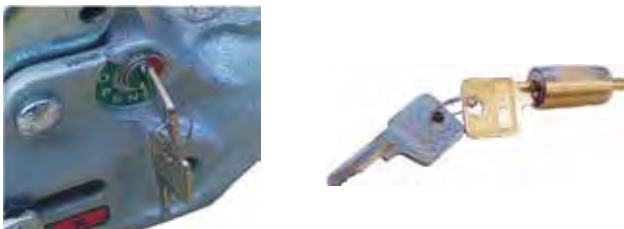


Coupler insert lock

- This lock is designed to fit into all pressed steel couplers with a keyhole shape slot in the handle, which will prevent the handle from being lifted to release the coupling.



Coupler latch lock



Built-in lock & coupler insert lock

- This simple security device prevents the coupling mechanism from operating.



WINCHES

WINCHES

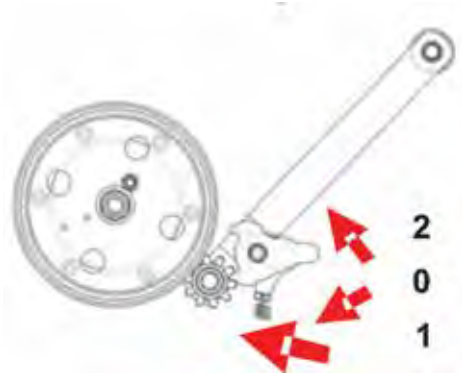
We keep three different types based on their operational functions:

- one-speed winch
- two-speed winch
- automatic hand winch

We distribute all types with three equipment variants:

- Without hauling apparatus
- Equipped with engaging hook and wire rope
- Equipped with engaging hook and strip

As for the one and two-speed winches, before moving the load, we must check the position of the three-way ratchet gear. To ensure our safety during the process of moving the load in one way or another, the position of the ratchet gear must be only in position 1 or 2.



How to use the automatic brake winch

- For lifting, pulling: turn the handle clockwise.
- Stopping abruptly: the load can be stopped in any position simply by letting go off the handle.
- Lowering, cable releasing: turn the handle counterclockwise.
- The automatic brake can prevent the handle from kicking back.

The brake function will only be activated by a minimum load of 25 kgs (55 lbs).

Adjustable height winch stand

Includes 900 kg or 1150 kg load capacity winch.

Advantages:

- adjustable height (from 15° to 41°)
- easy to mount on the boat trailer
- strong construction
- new design

Please ask for further information about the assembly and operating instruction of winches from our contact person.



WINCHES - WITHOUT BRAKE



Capacity	Speed	Gear ratio	Cover	Towing element with hook	Colour	Remark	Article number
900 lbs	1-speed	3,1:1	E-coating + powder painting	strap	silver	handle can be fitted both side, delivered with 4,6 m strap	6S6169.002
900 lbs	1-speed	3,1:1	E-coating + powder painting	strap	black	handle can be fitted both side, delivered with 7,6 m strap	6S6244.002
2000 lbs	1-speed	4,5:1	E-coating + powder painting	strap	black	handle can be fitted both side, delivered with 7,6 m strap, double gear	6S6408.002



WINCHES WITH PLASTIC COVER - WITHOUT BRAKE



Type	Capacity (lbs)	Reversible ratchet	Speed	Gear ratio	Cover	Towing element with hook	Colour	Article number
702002	900	yes	1-speed	4,1:1	plastic plastic plastic	none none none	blue black red	6X0017.204 6X0017.304 6X0017.504
702007	2000	yes	2-speed	4:1, 8:1	plastic plastic plastic	none none none	blue black red	6X0017.205 6X0017.305 6X0017.505
702008	2500	yes	2-speed	4:1, 8:1	plastic plastic plastic	none none none	blue black red	6X0017.206 6X0017.306 6X0017.506
702011	900	yes	1-speed	4,1:1	plastic plastic plastic	wire-cable wire-cable wire-cable	blue black red	6X0017.207 6X0017.307 6X0017.507
702016	2000	yes	2-speed	4:1,8:1	plastic plastic plastic	wire-cable wire-cable wire-cable	blue black red	6X0017.208 6X0017.308 6X0017.508
702017	2500	yes	2-speed	4:1,8:1	plastic plastic plastic	wire-cable wire-cable wire-cable wire-cable	blue black yellow red	6X0017.209 6X0017.309 6X0017.409 6X0017.209
702040	900	yes	1-speed	4,1:1	plastic plastic plastic plastic	strap strap strap strap	blue black yellow red	6X0017.210 6X0017.310 6X0017.410 6X0017.510
702041	2000	yes	2-speed	4:1,8:1	plastic plastic plastic plastic	strap strap strap strap	blue black yellow red	6X0017.211 6X0017.311 6X0017.411 6X0017.511
702042	2500	yes	2-speed	4:1,8:1	plastic plastic plastic	strap strap strap	blue black red	6X0017.212 6X0017.312 6X0017.512



WINCHES - WITH BRAKE



Capacity (lbs)	Speed	Gear ratio	Cover	Towing element	Colour	Remark	Article number
1500	1-speed	4,5:1	E-coating + powder painting	none	black	- automatic brake suitable for strap - 2 handles	6S6316.001
1500	1-speed	4,5:1	E-coating + powder painting	none	black	- automatic brake - suitable for strap	6S6426.002
1500	1-speed	4,5:1	E-coating + powder painting	none	black	- automatic brake - suitable for wire-cable	6S6431.002
4000	1-speed	19:01	E-coating + powder painting	none	black	- automatic brake - suitable both for strap & wire-cable	6S6521.001

Strap and wire-cable for winches

Strap with hook

Capacity (lbs)	Article number
900	6X1407.001
2000	6X1407.002
2500	6X1407.003
1500	6X1407.004
2500	6X1407.005
3500	6X1407.006



Wire-cable with safety hook

Capacity (lbs)	Article number
900	6X1522.001
2000	6X1522.002
2500	6X1522.003
1500	6X1522.004
2500	6X1522.005
3500	6X1522.006



WINCH STAND - WITHOUT BRAKE



- Available roller colours: yellow, blue, black
- Please ask for article numbers!

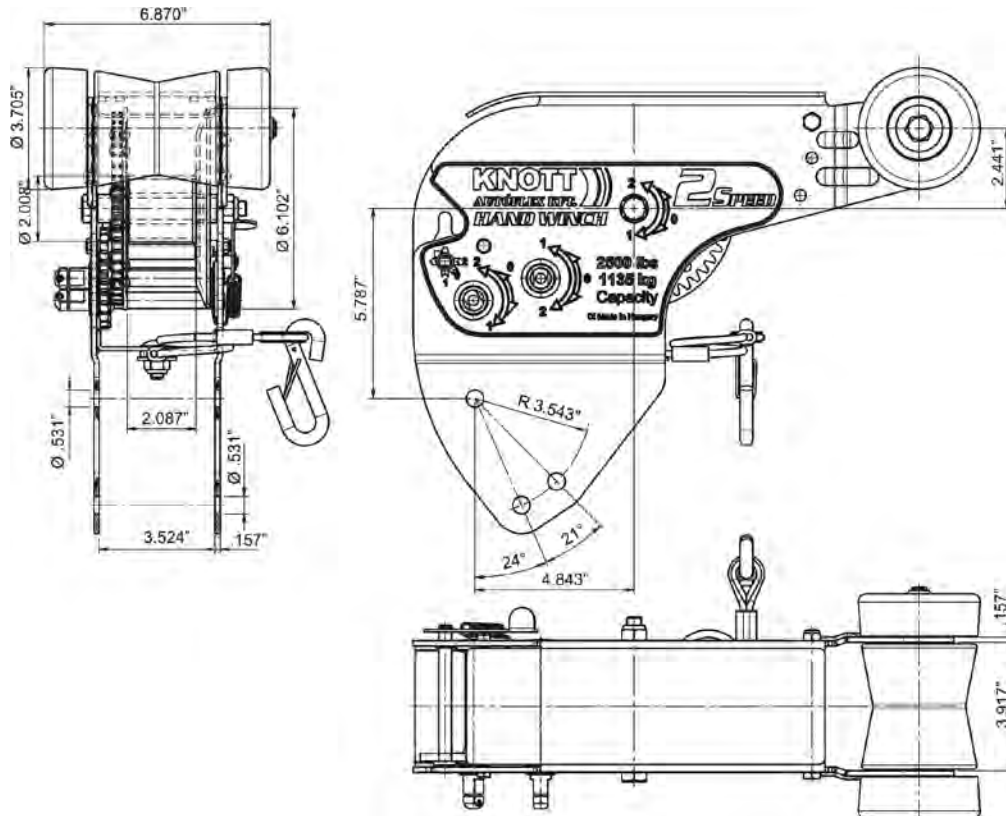


Capacity (lbs)	Speed	Gear ratio	Cover	Towing element	Colour	Remark	Article number
2000	1-speed	5:1	E-coating + powder painting	none	cover - black roller - blue	- suitable for strap, - suitable for 70x70 sq.tube,	6S6367.001
2000	1-speed	5:1	hot-dip galvanized	none	roller - blue	- suitable for strap, - suitable for 70x70 sq.tube	6S6367.002
2500	2-speed	4:1 / 8:1	E-coating + powder painting	none	cover -black roller -blue	- suitable for strap, - suitable for 80x80 sq.tube,	6S5810.001
2500	2-speed	4:1 / 8:1	hot-dip galvanized	none	roller - yellow	- suitable for strap, - suitable for 80x80 sq.tube,	6S5810.005



Adjustable height winch stand

- Removable winch arm



Bow stand with built-in winch and safety chain

- Roller assemblies
- Powder coated surface
- Black bow roller and end bells
- 1 speed or 2 speed winch version
- Adjustable high bow stand,
- Easy wind winch with strap and hook



ACCESSORIES

Hook with eye

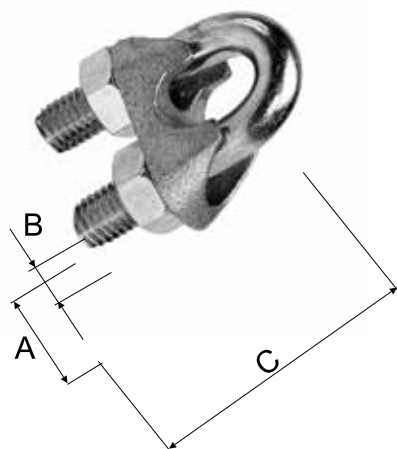
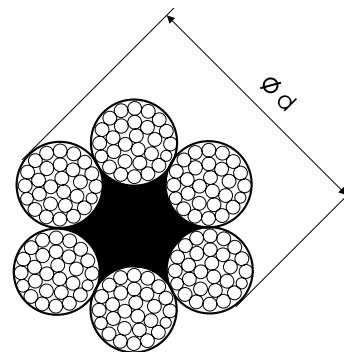
Load capacity (lbs)	Article number
500	6X0018.001
1000	6X0018.002
2000	6X0018.003
3500	6X0018.004



Thimble for wire (galvanized)

Wire-cable

Breaking load (lbs)	Articlen number
2000	6X0549.006
3000	6X0549.002
4500	6X0549.004
8000	6X0549.005



Wire-cable clip

AxBxC mm	Article number
11xM5x24	6X0741.002
13xM5x28	6X0741.003
15xM6x34	6X0741.004
20xM8x42	6X0741.005

PLASTIC PARTS AND ROLLERS

Advantages of soft PVC 83 +/-3 Shore A material include:

- corrosion resistant rollers with good physical properties
- indissoluble in water, alcohol, and saturated hydrocarbons
- it is difficult to combust, wear resistant, and keeps its shape at high temperature
- it is resilient to surface cracking
- resistant to UV radiation

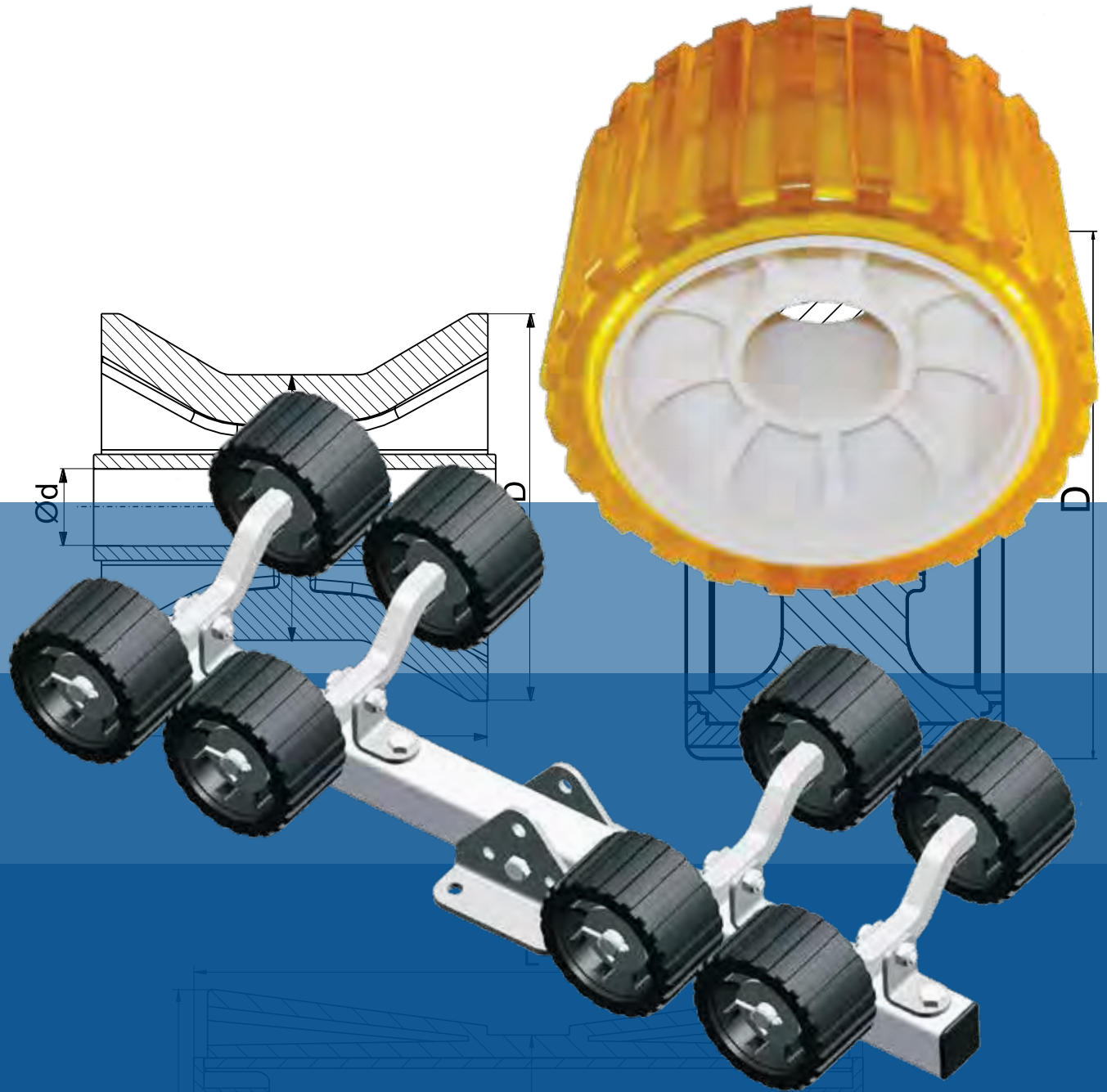


This material provides a clear, transparent product that has a more superior design than the similar rollers. It is available in three different colors (yellow, blue and black).

Roller holders

We provide roller holders for our rollers if needed.

To enquiry about the different sizes available, please contact our sales personnel.



ROLLERS

ROLLER ASSEMBLY

Winch post



Bow roller assembly



Wobble roller assembly with bracket

Nº	Model	Roll material	Article number
1.	Winch post	PVC	6B7840.001
2.	Winch post	PVC	6B4946.001
3.	Bow roller assembly (blue, 8")	PVC	6B4950.002
4.	Bow roller assembly (black, 8")	PVC	6B4776.004
5.	Bow roller assembly (blue, 8")	PVC	6B4783.002
6.	Wobble roller assembly	PVC	6B9685
7.	Wobble roller assembly	PVC	6B9682



Adjustable roll system

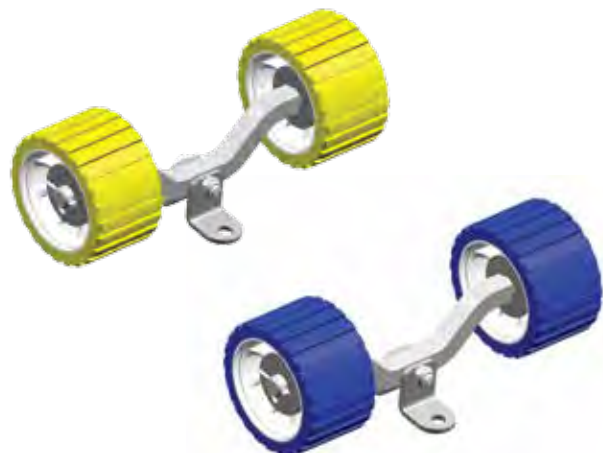
- Optional roll colours: yellow, blue, black
- Different models: 4, 6 or 8 rollers
- Roll material: PVC

Colour	Axle (pcs)	Article number
yellow	2	6B3510.003
blue	2	6B3510.103
black	2	6B3510.203
yellow	3	6B3510.002
blue	3	6B3510.102
black	3	6B3510.202
yellow	4	6B3510.001
blue	4	6B3510.101
black	4	6B3510.201



Bended axle with rollers

Colour	Axle (pcs)	Article number
yellow	1	6B3508.001
blue	1	6B3508.101
black	1	6B3508.201



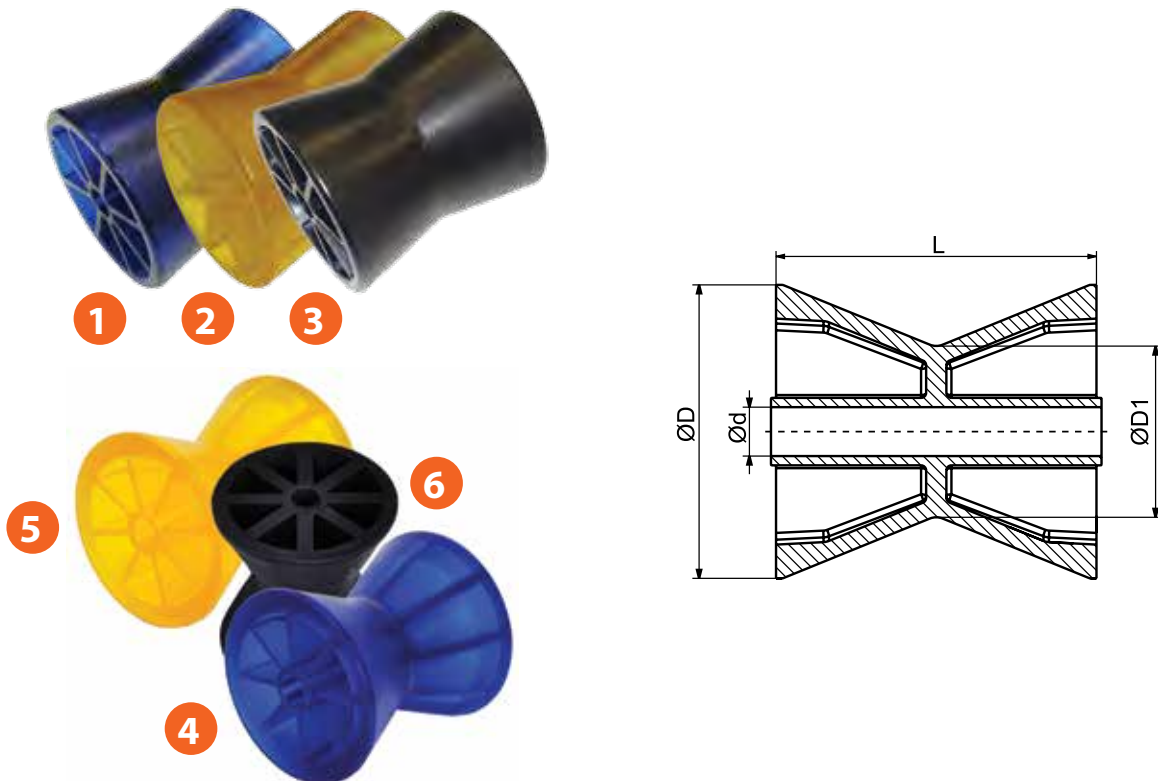
Bow rollers 3"

Nº	Model	Size (mm)	Colour	Material	Article number
1.	Bow roller 3"	D=73, D1=49, d=14,5, L=72	blue	PVC ShA93	6X1064.013
2.	Bow roller 3"	D=73, D1=49, d=14,5, L=72	yellow	PVC ShA93	6X1064.012
3.	Bow roller 3"	D=73, D1=49, d=14,5, L=72	black	PVC ShA93	6X1064.029



Bow rollers 3,5 - 4"

Nº	Model	Size (mm)	Colour	Material	Article number
1.	Bow roller 3,5"	D=89, D1=71,5, d=14,3, L=97	blue	PVC ShA93	6X1643.001
2.	Bow roller 3,5"	D=89, D1=71,5, d=14,3, L=97	yellow	PVC ShA93	6X1643.002
3.	Bow roller 3,5"	D=89, D1=71,5, d=14,3, L=97	black	PVC ShA93	6X1643.003
4.	Bow roller 4"	D=87, D1=50, d=14,5, L=95	blue	PVC ShA93	6X1064.014
5.	Bow roller 4"	D=87, D1=50, d=14,5, L=95	yellow	PVC ShA93	6X1065.002
6.	Bow roller 4"	D=87, D1=50, d=14,5, L=95	black	PVC ShA93	6X1064.030



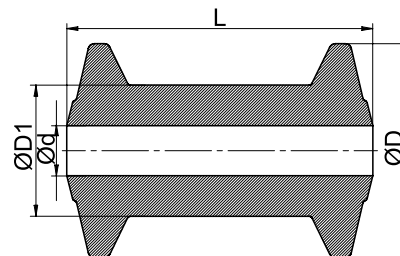
Keel rollers 8-12"

Nº	Model	Size (mm)	Colour	Material	Article number
1.	Keel roller 5"	D=79, D1=58,5, d=17, L=133	blue	PVC Sha 93	6X1064.036
2.	Keel roller 5"	D=79, D1=58,5, d=17, L=133	yellow	PVC Sha 93	6X1064.038
3.	Keel roller 5"	D=79, D1=58,5, d=17, L=133	black	PVC Sha 93	6X1064.039
4.	Keel roller 8"	D=90, D1=61, d=17, L=194	blue	PVC Sha 93	6X1064.018
5.	Keel roller 8"	D=90, D1=61, d=17, L=194	yellow	PVC Sha 93	6X1064.004
6.	Keel roller 8"	D=90, D1=61, d=17, L=194	black	PVC Sha 93	6X1064.031
7.	Keel roller 10"	D=93, D1=61, d=17, L=259	blue	PVC Sha 93	6X1064.019
8.	Keel roller 10"	D=93, D1=61, d=17, L=259	yellow	PVC Sha 93	6X1064.005
9.	Keel roller 10"	D=93, D1=61, d=17, L=259	black	PVC Sha 93	6X1064.032
10.	Keel roller 12"	D=96, D1=62, d=17, L=305	blue	PVC Sha 93	6X1064.020
11.	Keel roller 12"	D=96, D1=62, d=17, L=305	yellow	PVC Sha 93	6X1064.006
12.	Keel roller 12"	D=96, D1=62, d=17, L=305	black	PVC Sha 93	6X1064.033



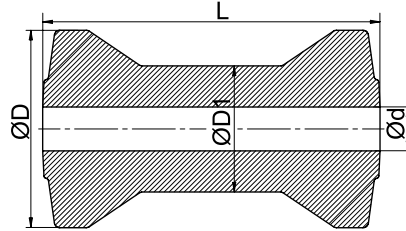
Keel rollers 4"

Nº	Model	Size (mm)	Colour	Material	Article number
1.	Keel roller 4"	D=68,5, D1=42, d=16, L=98	blue	PVC Sha 93	6X1064.028
2.	Keel roller 4"	D=68,5, D1=42, d=16, L=98	yellow	PVC Sha 93	6X1064.035
3.	Keel roller 4"	D=68,5, D1=42, d=16, L=98	black	PVC Sha 93	6X1064.034



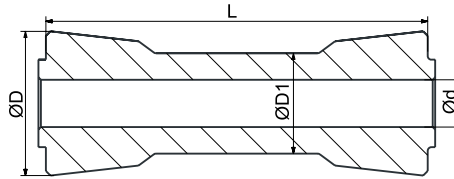
Keel rollers

Model	Size (mm)	Colour	Material	Article number
Keel roller 7"	D=121, D1=70, d=17, L=197	blue	PVC ShA 95	6X1064.026

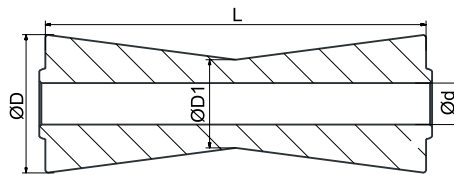


Nº	Model	Size (mm)	Colour	Material	Article number
1.	Keel roller 6"	D=58, D1=40,5, d=19, L=154	black	PVC 95 ShA	6X1064.040
2.	Keel roller 7,5"	D=68, D1=43, d=21, L=188	black	PA6 GF30	6X1064.043
3.	Keel roller 12"	D=80, D1=56, d=21, L=290	black	PVC 95 ShA	6X1064.037

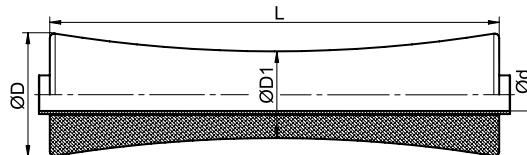
1



2

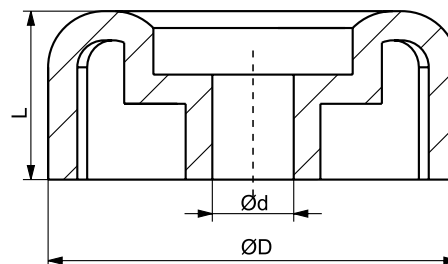


3

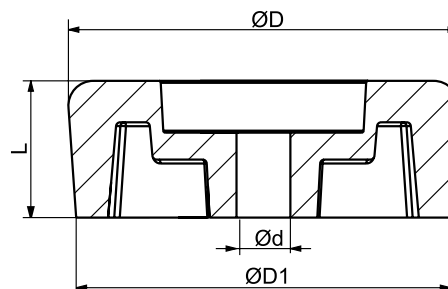


End caps & end bells

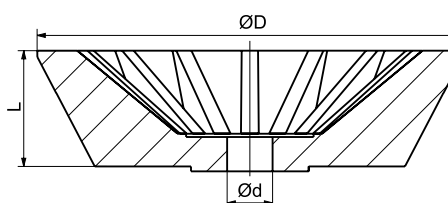
Nº	Model	Size (mm)	Colour	Material	Article number
1.	End cap 3"	D=72,5, d=14,3, L=30	blue	PVC ShA 93	6X1067.010
2.	End cap 3"	D=72,5, d=14,3, L=30	yellow	PVC ShA 93	6X1067.001
3.	End cap 3"	D=72,5, d=14,3, L=30	black	PVC ShA 93	6X1067.025
4.	End cap 4"	D=88, d=14,3, L=35	blue	PVC ShA 93	6X1067.009
5.	End cap 4"	D=88, d=14,3, L=35	yellow	PVC ShA 93	6X1067.008
6.	End cap 4"	D=88, d=14,3, L=35	black	PVC ShA 93	6X1067.024



Nº	Model	Size (mm)	Colour	Material	Article number
7.	End cap 3,5"	D=94, D1=91,5, d=13, L=33	blue	PVC ShA 93	6X1067.028
8.	End cap 3,5"	D=94, D1=91,5, d=13, L=33	yellow	PVC ShA 93	6X1067.029
9.	End cap 3,5"	D=94, D1=91,5, d=13, L=33	black	PVC ShA 93	6X1067.030

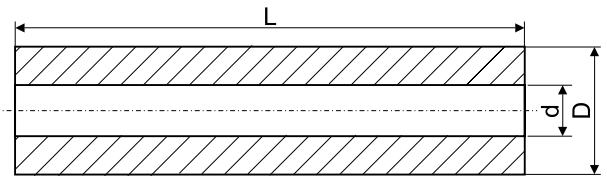


Nº	Model	Size (mm)	Colour	Material	Article number
1.	End bell 3"	D=120, d=14, L=39	blue	PVC ShA 93	6X1066.003
2.	End bell 3"	D=120, d=14, L=39	yellow	PVC ShA 93	6X1066.001
3.	End bell 3"	D=120, d=14, L=39	black	PVC ShA 93	6X1066.005
4.	End bell 4"	D=130, d=14, L=40	blue	PVC ShA 93	6X1066.004
5.	End bell 4"	D=130, d=14, L=40	yellow	PVC ShA 93	6X1066.002
6.	End bell 4"	D=130, d=14, L=40	black	PVC ShA 93	6X1066.006



Side guide rollers

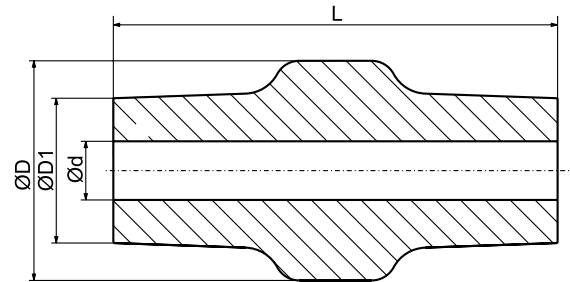
Nº	Model	Size (mm)	Colour	Article number
1.	Side guide roller 2,5"x8 3/4"	D=63, d=19, L=220	blue	6X1065.026
2.	Side guide roller 2,5"x8 3/4"	D=63, d=19, L=220	yellow	6X1065.025
3.	Side guide roller 2,5"x8 3/4"	D=63, d=19, L=220	black	6X1065.024



Material: PVC ShA 93

Side guide rollers

Nº	Model	Size (mm)	Colour	Article number
1.	Side guide roller ROTO	D=88, D1=58, d=13, L=224	blue	6X1067.036
2.	Side guide roller ROTO	D=88, D1=58, d=13, L=224	yellow	6X1067.035
3.	Side guide roller ROTO	D=88, D1=58, d=13, L=224	black	6X1067.037



Material: PVC ShA 93



Wobble rollers

Nº	Model	Size (mm)	Colour	Article number
1.	Wobble roller 5"	D=128, d=20,5, L=75	blue	6X1067.020
2.	Wobble roller 5"	D=128, d=20,5, L=75	yellow	6X1067.022
3.	Wobble roller 5"	D=128, d=20,5, L=75	black	6X1067.014
4.	Wobble roller 5"	D=128, d=22, L=75	blue	6X1067.021
5.	Wobble roller 5"	D=128, d=22, L=75	yellow	6X1067.023
6.	Wobble roller 5"	D=128, d=22, L=75	black	6X1067.027
7.	Wobble roller 5"	D=128, d=26, L=75	blue	6X1067.015
8.	Wobble roller 5"	D=128, d=26, L=75	yellow	6X1067.011
9.	Wobble roller 5"	D=128, d=26, L=75	black	6X1067.026
10.	Wobble roller 5"	D=128, d=26, L=75	white	6X1067.099

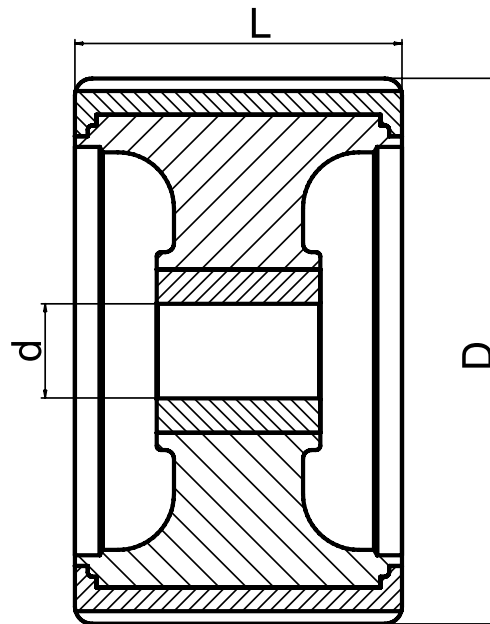
■ Material: PVC ShA 93



1 4 7



3 6 9



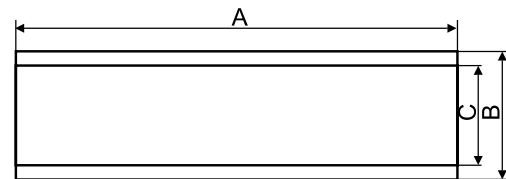
2 5 8



10

Keel pads

Nº	Model	Size (mm)	Colour	Article number
1.	Keel pad 2"×12"	A=300, B=67, C=54	blue	6X1065.028
2.	Keel pad 2"×12"	A=300, B=67, C=54	yellow	6X1065.029
3.	Keel pad 2"×12"	A=300, B=67, C=54	black	6X1065.030
2.	Keel pad 2,5"×12"	A=300, B=75, C=64	blue	6X1065.012
3.	Keel pad 2,5"×12"	A=300, B=75, C=64	yellow	6X1065.011
4.	Keel pad 2,5"×12"	A=300, B=75, C=64	black	6X1065.023
5.	Keel pad 3"×12"	A=300, B=92, C=80	blue	6X1065.010
6.	Keel pad 3"×12"	A=300, B=92, C=80	yellow	6X1065.009
7.	Keel pad 3"×12"	A=300, B=92, C=80	black	6X1065.022



■ Material: PVC ShA 93

V bow stops

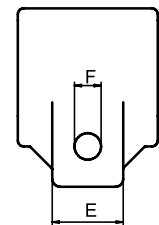
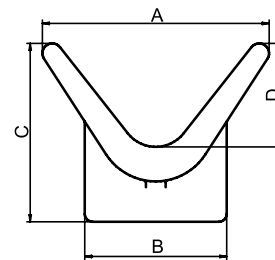
Nº	Model	Size (mm)	Colour	Article number
1.	V Bow stop	A=115, B=72, C=90, D=52,5, E=36, F=13	blue	6X1065.016
2.	V Bow stop	A=115, B=72, C=90, D=52,5, E=36, F=13	yellow	6X1065.018
3.	V Bow stop	A=115, B=72, C=90, D=52,5, E=36, F=13	black	6X1065.017



1

2

3



■ Material: PVC ShA 93



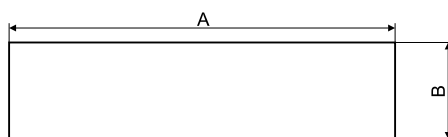
Plastic chock and braket

Type	Lenght A (mm)	Height H (mm)	Width B (mm)	Colour	Article number
Chock	220	100	90	white	401953.998
Chock	220	100	90	black	401953.999
Bracket	170	20	95	white	401954.998
Bracket	170	20	95	black	401954.999



Channel glide bunk covers

- Our plastic bunk covers attach over bunks and lets your boat slide on and off the trailer with ease.



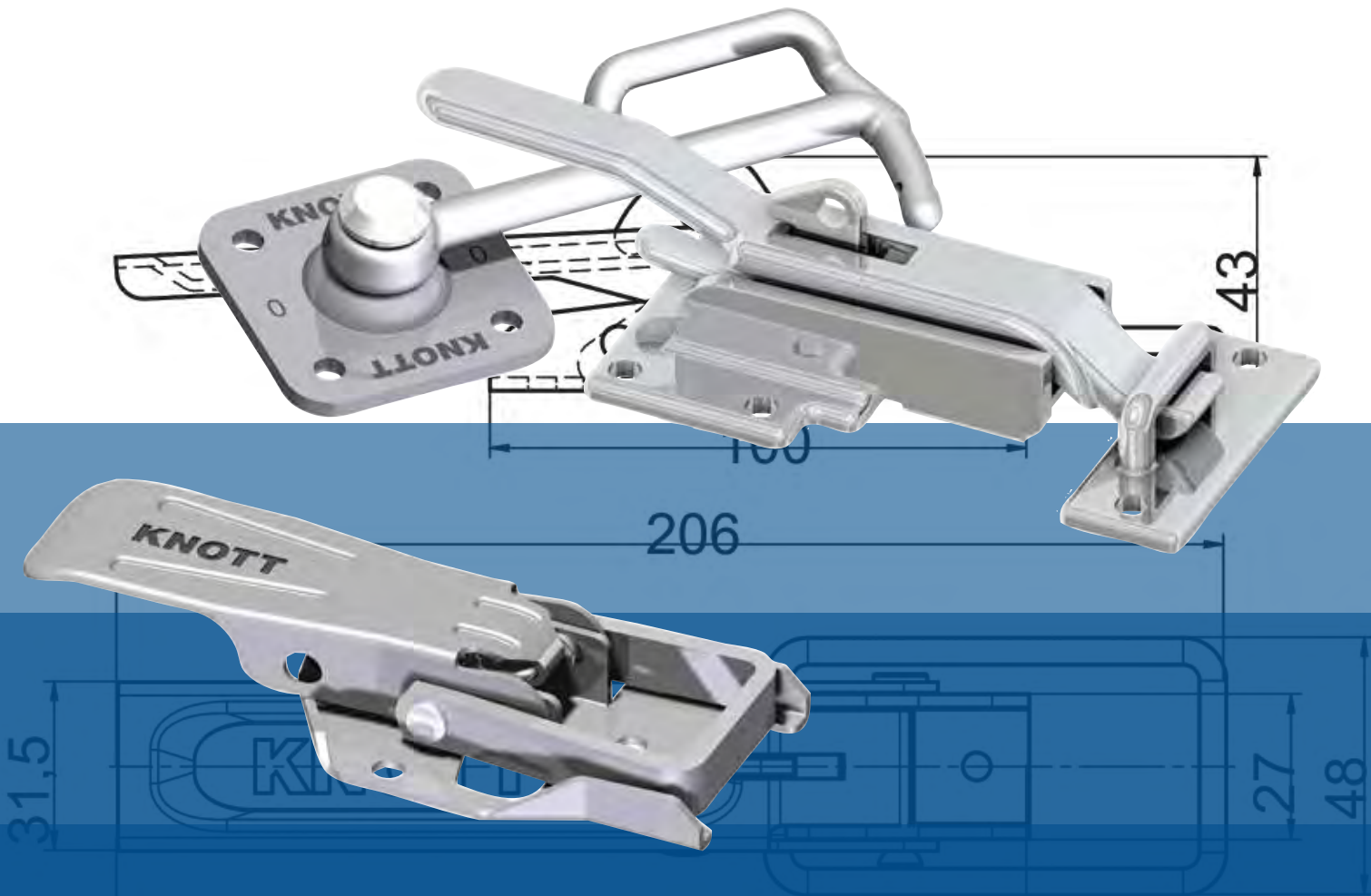
Type	Lenght A (inch)	Height H (inch)	Width B (inch)	Article number
Bunk cover	78	1,7	4	6S60132000
Bunk cover	86	1,7	4	6S60132200
Bunk cover	120	1,7	4	6S60133000
Bunk cover	78	1,7	6	6S60142000
Bunk cover	86	1,7	6	6S60142200
Bunk cover	120	1,7	6	6S60143000

Bunk cover ends

Type	Hight B (mm)	Width A (mm)	Material	Art. Nr.
Bunk cover end	43	98	Plastic	6X1482.002
Bunk cover end	43	148	Plastic	6X1482.004





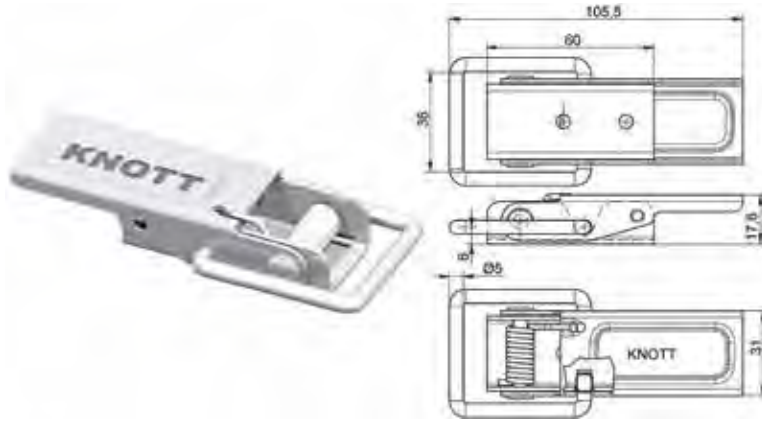
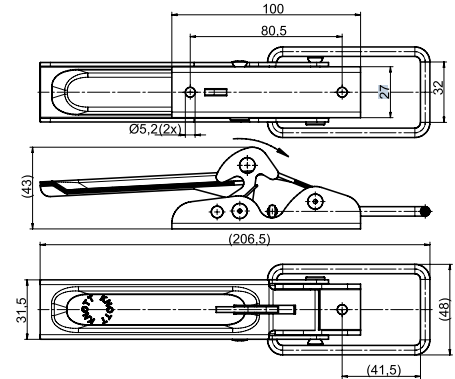


VEHICLE FASTENERS, ACCESSORIES

OVERCENTRE LATCH

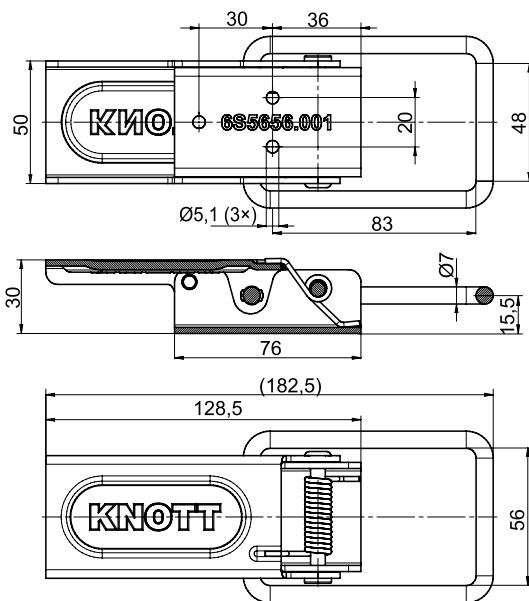
Overcentre latch SRB32

- lockable
- with round bracket
- zinc plated
- Article number: 6S5789.001



Overcentre latch RB34

- With spring and round bracket
- Zinc plated
- Article number: 6S5719.001

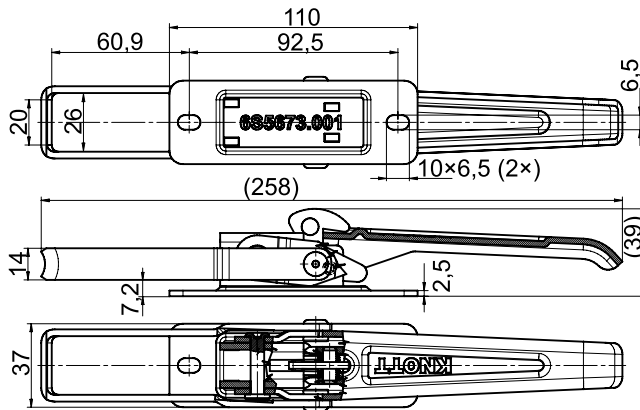


Overcentre latch RB48

- with spring and round bracket
- zinc plated
- Article number: 6S5656.001



Overcentre latch SVB20

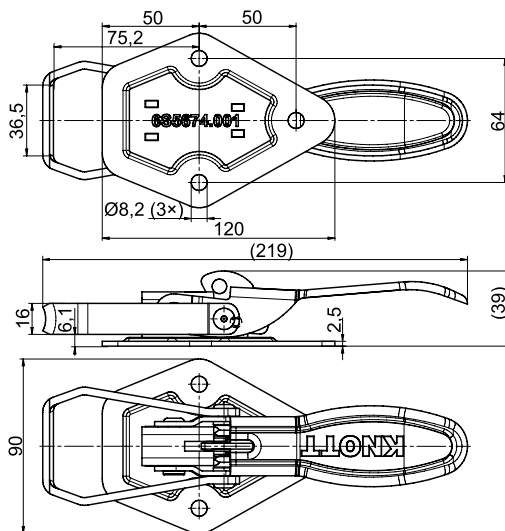
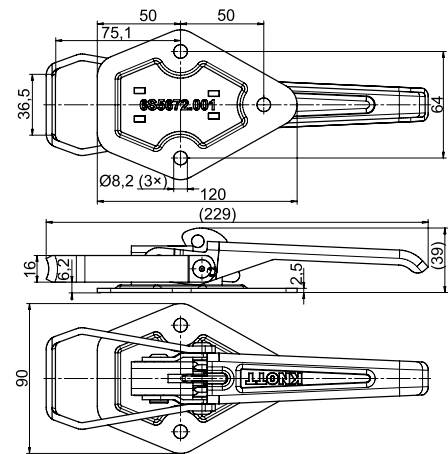


- with flat bracket
- lockable
- zinc plated
- Article number: 6S5673.001



Overcentre latch SVB36

- with flat bracket
- lockable
- zinc plated
- Article number: 6S5672.001



Overcentre latch SVBB36

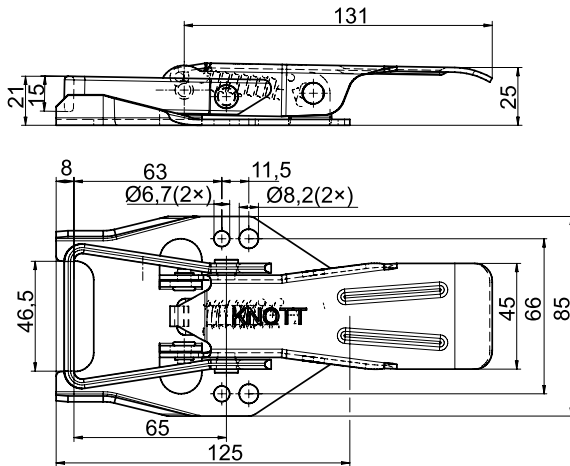
- with flat bracket
- lockable
- zinc plated
- Article number: 6S5674.001



OVERCENTRE LATCH

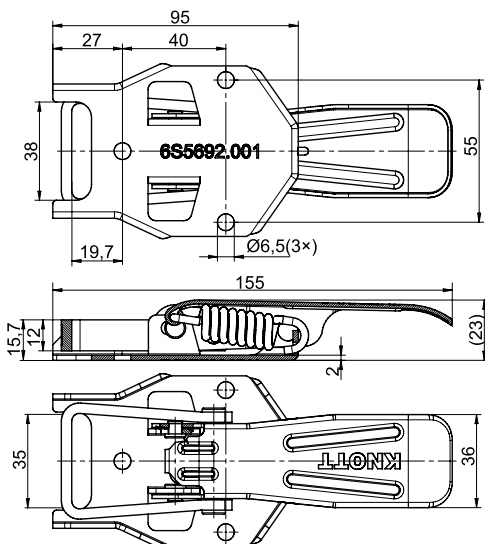
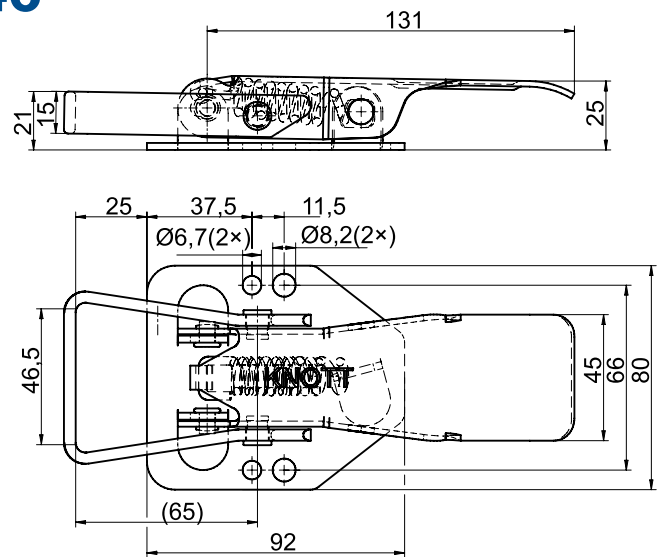
Overcentre latch FVBA46

- With spring and flat bracket
- Zinc plated
- Article number: 6S5779.001



Overcentre latch FVBB46

- With spring and flat bracket
- Zinc plated
- Article number: 6S5778.001

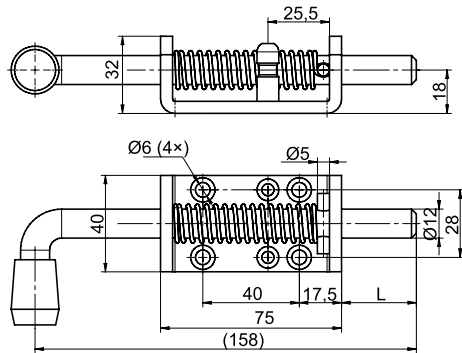


Overcentre latch FVB35

- With spring and flat bracket
- Zinc plated
- Article number: 6S5692.001



LATCH, HOOK

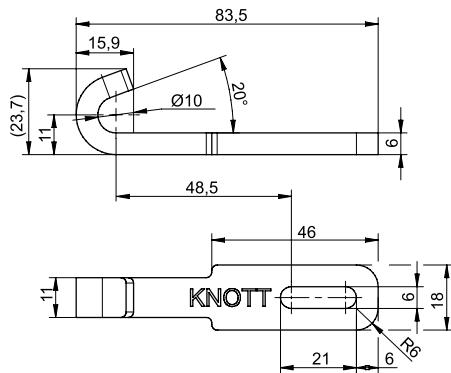
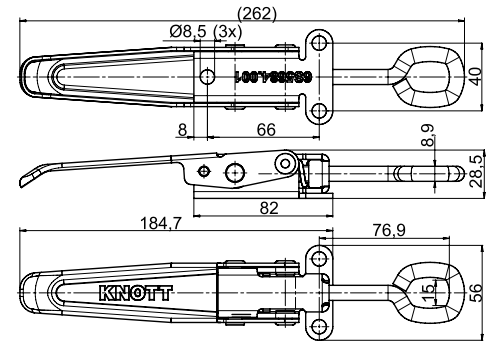


Spring latch

- L=31mm
- With plastic handle
- Zinc plated
- Article number: 6S5716.001

Adjustable overcentre latch FVS15

- With spring
- Zinc plated
- Article number: 6S5684.001

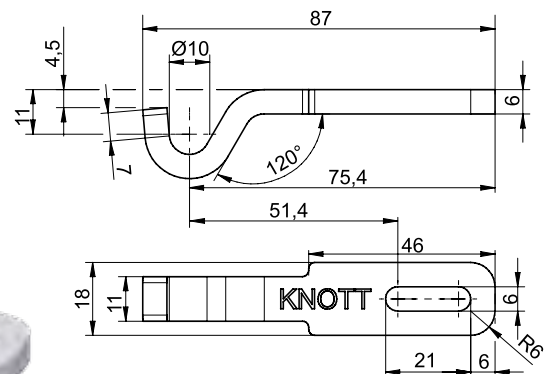


Engaging hook A11

- Straight
- Zinc plated
- Article number: 6S5752.001

Engaging hook B11

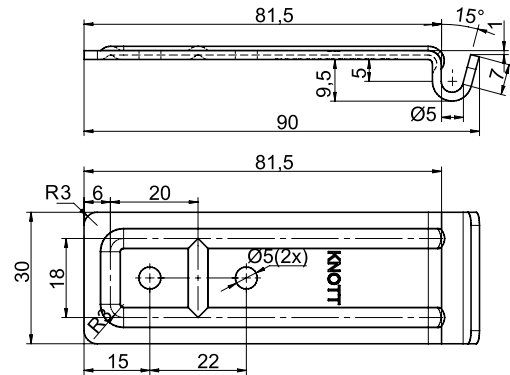
- Curved
- Zinc plated
- Article number: 6S5755.001



CATCH PLATE

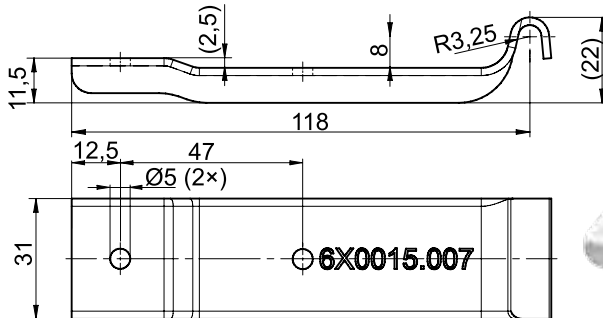
Catch plate A30

- Zinc plated stamped steel
- Article number: 6S5756.001



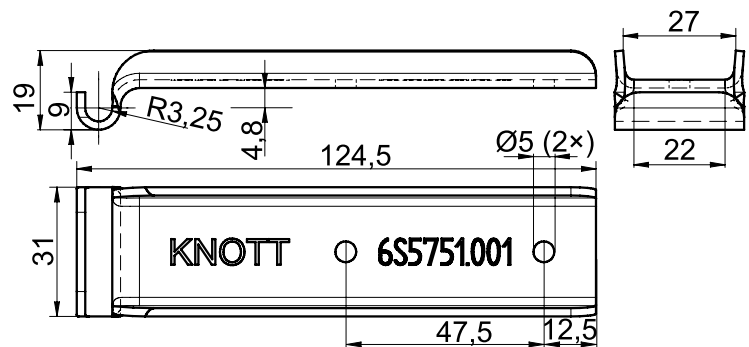
Catch plate B30

- Cranked
- Zinc plated
- Article number: 6X0015.007



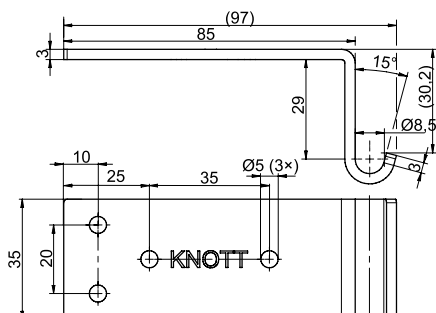
Catch plate C30

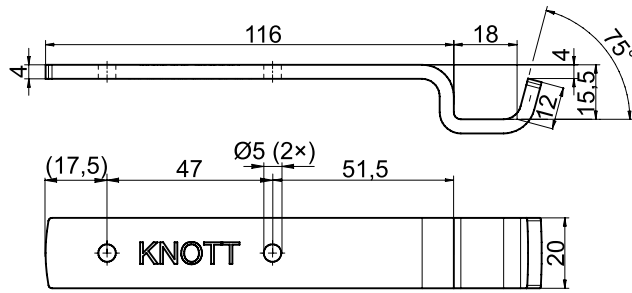
- Straight
- Zinc plated
- Article number: 6S5751.001



Catch plate C35

- Right angle
- Zinc plated
- Article number: 6S5754.001





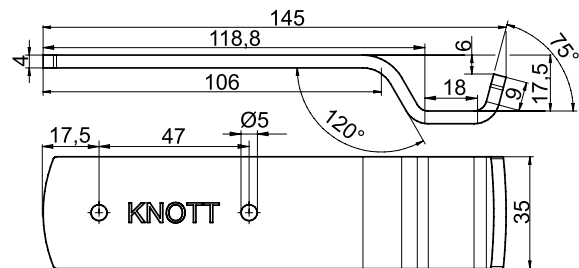
Catch plate B20

- Zinc plated
- Article number: 6S5753.001



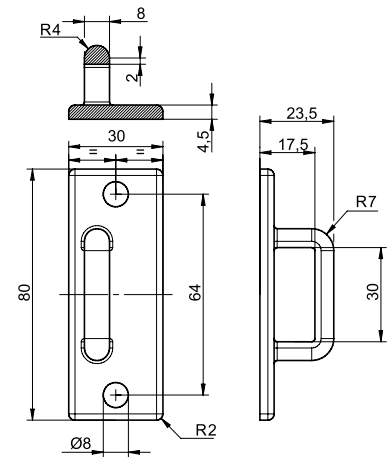
Catch plate B35

- Zinc plated
- Article number: 6S5757.001



Catch plate D30

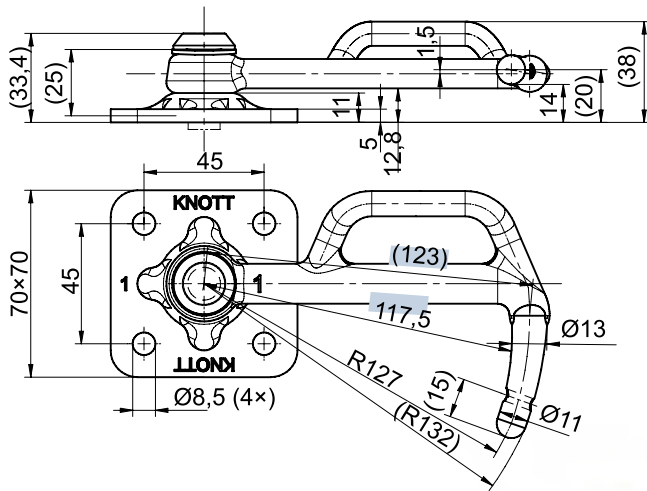
- For FRS19
- Polished stainless steel
- Article number: 6S5846.001



Lock-complement compatibility recommendations

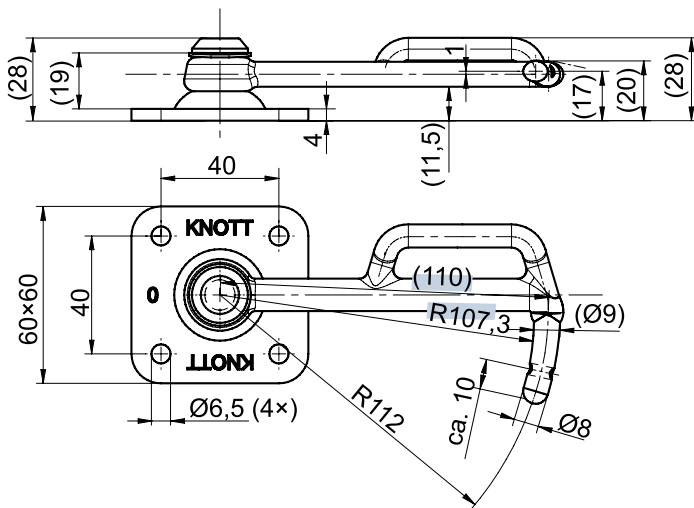
Complement	6S5756.001	6X0015.007	6S5751.001	6S5754.001	6S5753.001	6S5757.001	6S5752.001	6S5755.001	6S5767.001	6S5758.001
Lock										
6S5719.001	✓	✓	✓							
6S5656.001				✓						
6S5789.001	✓	✓	✓							
6S5673.001					✓					
6S5672.001						✓				
6S5674.001						✓				
6S5779.001						✓				
6S5778.001						✓				
6S5692.001						✓				
6S5684.001							✓	✓		
6S5762										✓
6S5766										✓
6S5770									✓	

BOW LOCK



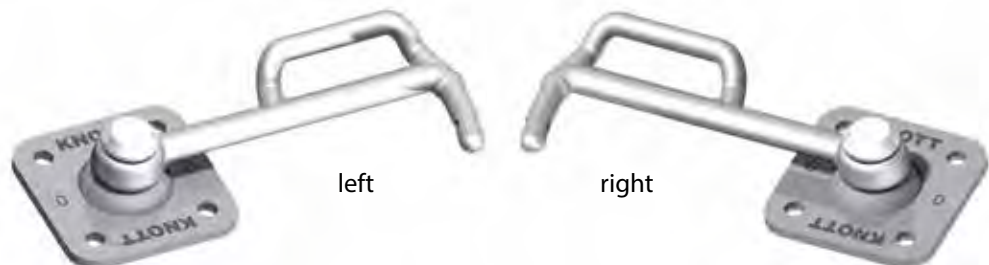
Bow lock BV1

- Base plate: 70x70 mm
- Zinc plated
- Article number: 6S5766.001 - left
6S5766.002 - right

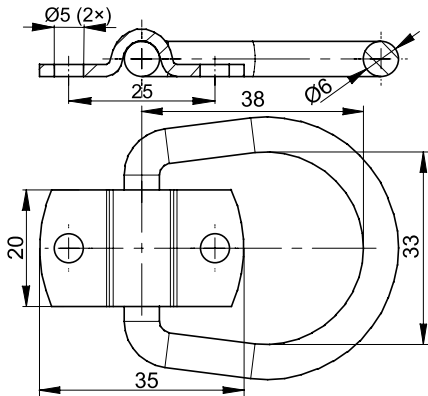


Bow lock BV0

- Base plate: 60x60 mm
- Zinc plated
- Article number: 6S5770.001 - left
6S5770.002 - right



LASHING RINGS



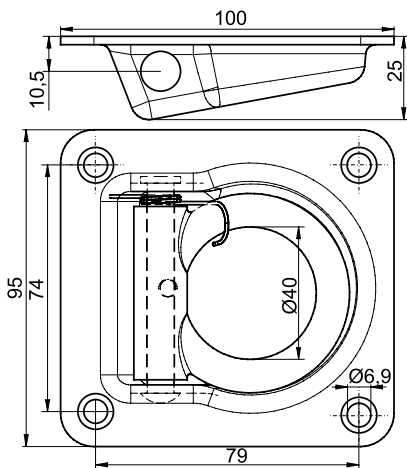
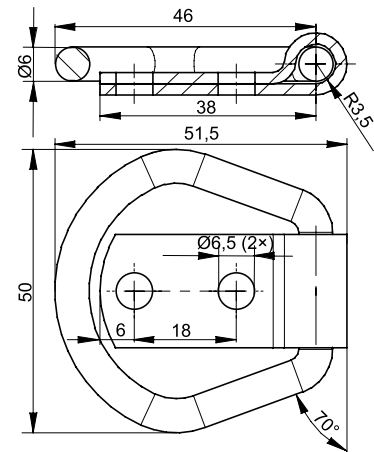
Lashing ring + cleat

- D-ring
- Zinc plated
- 250 daN
- Article number: 6S5702.001



Lashing ring + cleat

- Triangular ring
- Zinc plated
- 250 daN
- Article number: 6S5707.001



Recessed lashing ring

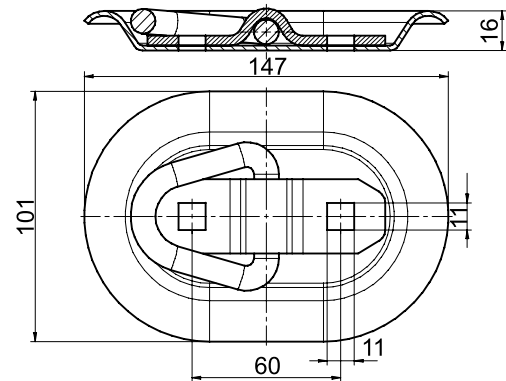
- Sprung eye
- Rectangular base
- Zinc plated
- 250 daN
- Article number: 6S5727.001



LASHING RINGS

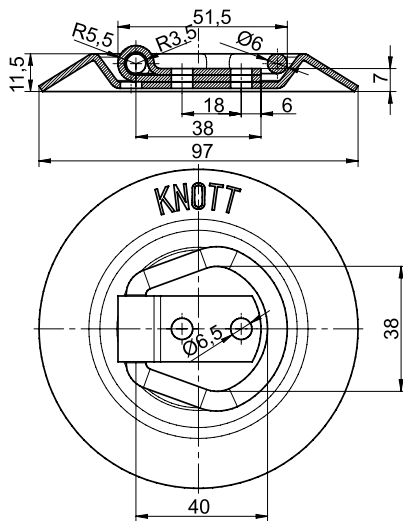
Recessed lashing ring

- Sprung eye
- Oval
- Zinc plated
- 250 daN
- Article number: 6S5726.001



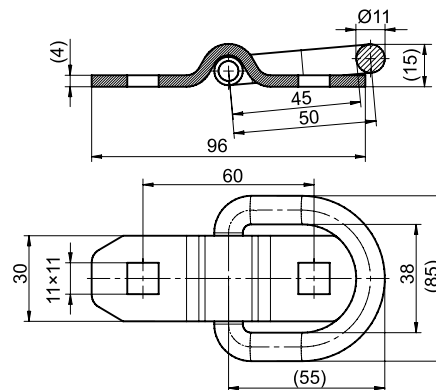
Lashing ring + cleat

- Triangular ring
- Round base
- Zinc plated
- 250 daN
- Article number: 6S5741.001



Lashing ring + cleat

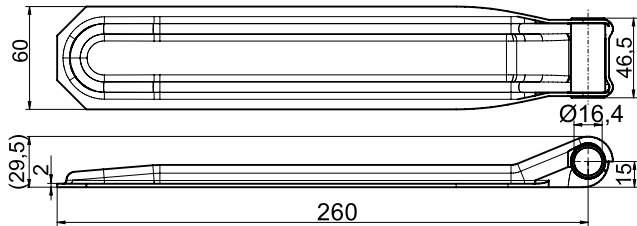
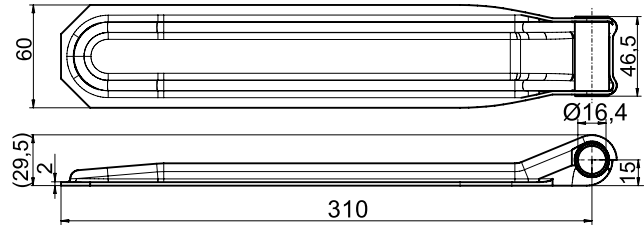
- D-ring
- Zinc plated
- 250 daN
- Article number: 6S5780.001



HINGES

Hinge 310

- For Ø16 mm pin
- Zinc plated
- Article number: **6S5738.001**



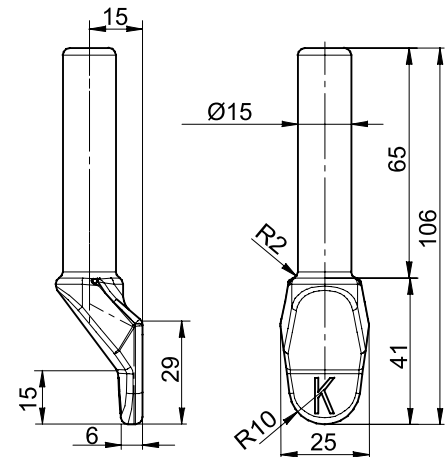
Hinge 260

- For Ø16 mm pin
- Zinc plated
- Article number: **6S5738.002**

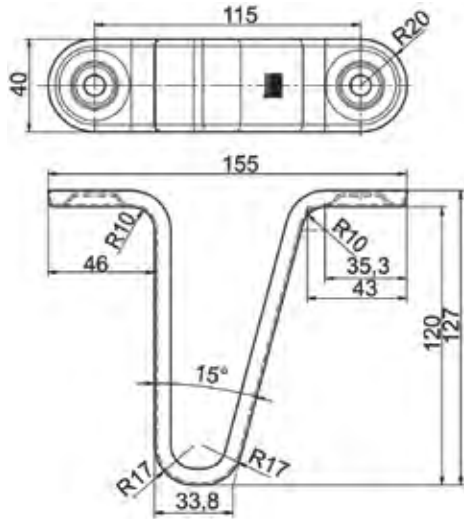


Hinge pin

- Ø16 mm
- Natural forged steel
- weld on
- Article number: **6S5739.001**

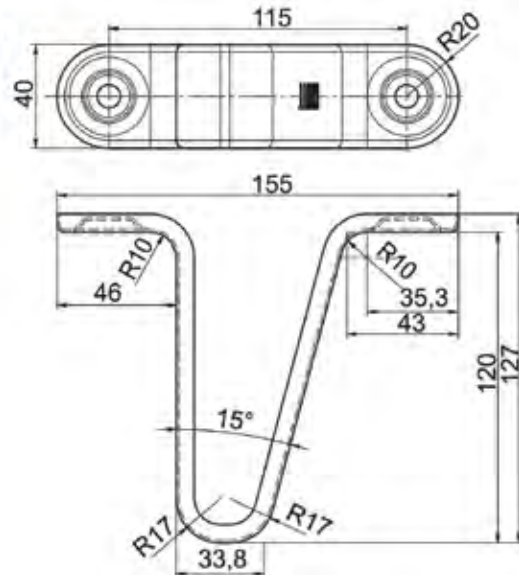


LAMP BRACKET



Lamp holder

- Zinc plated
- Article number: **6S5700.001**



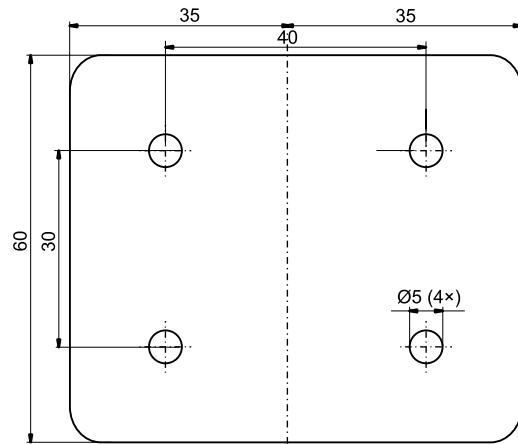
Lamp holder with bores

- Zinc plated
- Article number: **6S5701.001**

HINGES

Hinge L=60 mm

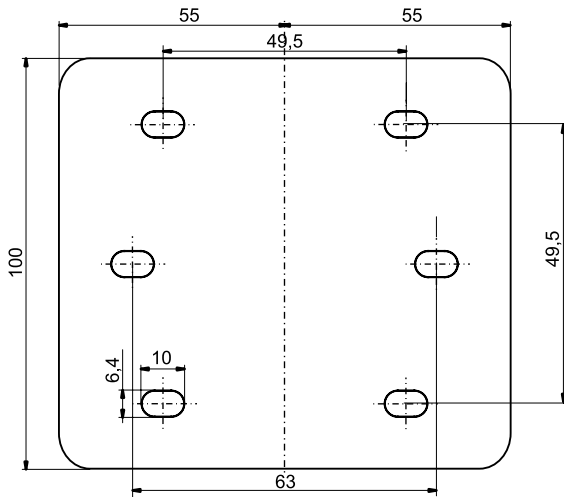
- For premium trailer bodies
- Corrosion resistant
- Spring bounding (4×60°)
- Article number: 6X0827.017



hole pattern

Hinge L=110 mm

- For premium trailer bodies
- Corrosion resistant
- Spring bounding (4×60°)
- Article number: 6X0827.016



hole pattern



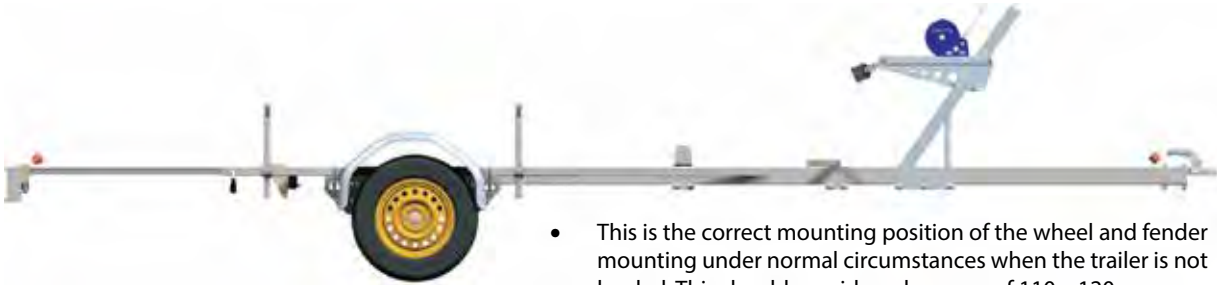
- Both types can be fixed in 4 position (60 degrees) with the bump buffer within the 240 degree range.



FENDERS

FENDERS

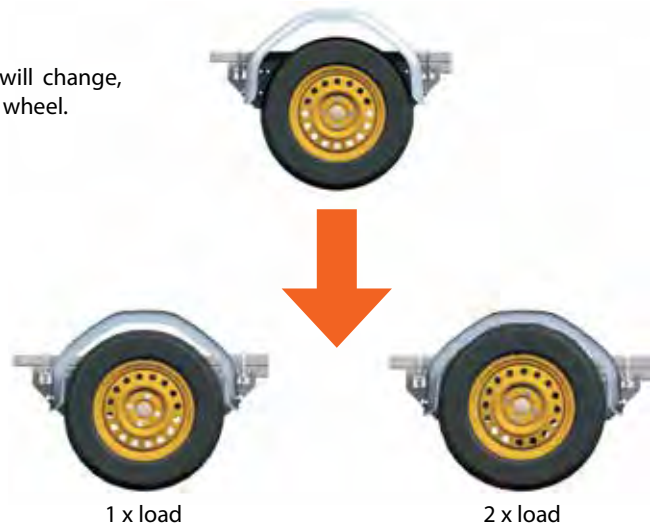
Mounting position of fender and wheel



- This is the correct mounting position of the wheel and fender mounting under normal circumstances when the trailer is not loaded. This should provide a clearance of 110 – 120 mms.

- Under 1x or 2x load this clearance will change, but still ensures enough space for the wheel.

■ Please note that you gain a longer lifespan for your trailer, if you don't overload it!



Steel fender

- Materials:
 - stainless steel
 - sensimir – galvanized steel
- **Weatherproof construction!**
- Profile for sidewall mounting: 12/40
- Radius: 12



Plastic fender

- Material:
 - high quality plastic
- Profile for sidewall mounting:
 - 6/25; 12/37,5; 12/40



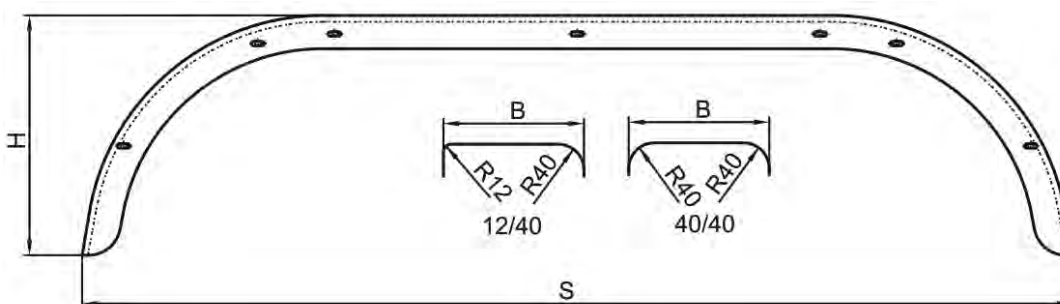
TRAILER FENDERS

Single axle

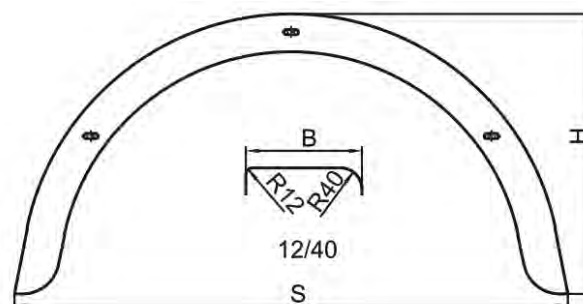
Type	Material	Wheel size max.	Art. Nr.
A206612K	galvanized steel	165/80R13	6X0573.001
A206612K(F)	galvanized steel	165/80R13	6X0573.014
A207012K	galvanized steel	165/80R14	6X0573.002
A207512K	galvanized steel	165/80R16	6X0573.003
A207512K(F)	galvanized steel	165/80R16	6X0573.013
A227512K	galvanized steel	185/80R15	6X0573.004
A227512K(F)	galvanized steel	185/80R15	6X0573.018
A228012K	galvanized steel	185/80R17	6X0573.005
A228612K	galvanized steel	185/80R19	6X0573.006
A247512K	galvanized steel	205/80R14	6X0573.007
A247512K(F)	galvanized steel	205/80R14	6X0573.017
A248012K	galvanized steel	205/80R16	6X0573.008
A248012K(F)	galvanized steel	205/80R16	6X0573.015
A248612K	galvanized steel	205/80R18	6X0573.009
A248040K	galvanized steel	205/80R16	6X0573.010
A268012K	galvanized steel	225/80R14	6X0573.011
A268012K(F)	galvanized steel	225/80R14	6X0573.016
A268040K	galvanized steel	225/80R14	6X0573.012

Tandem axle

Type	Material	Wheel size max.	Art. Nr.
A2213912KT	galvanized steel	185/80R12	6X0570.005
A2213912KT(F)	galvanized steel	185/80R12	6X0570.014
A2215512KT	galvanized steel	185/80R15	6X0570.006
A2215512KT(F)	galvanized steel	185/80R15	6X0570.018
A2215540KT	galvanized steel	185/80R15	6X0570.002
A2415012KT	galvanized steel	205/80R13	6X0570.007
A2415012KT(F)	galvanized steel	205/80R13	6X0570.017
A2415040KT	galvanized steel	205/80R13	6X0570.003
A2615012KT	galvanized steel	225/80R12	6X0570.008
A2615012KT(F)	galvanized steel	225/80R12	6X0570.016
A2615040KT	galvanized steel	225/80R12	6X0570.004
A2014812KT	galvanized steel	165/80R15	6X0570.010
A2415112KT	galvanized steel	205/80R13	6X0570.011

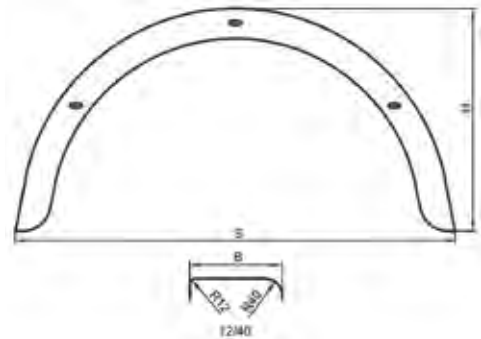


- Fenders with a 2/40 and 40/40 profile.
- Radius 12 is for sidewall-mounting on a trailer.
- Radius 40 is for mounting on the supports of trailers, like boat trailers.



Single axle stainless steel fenders

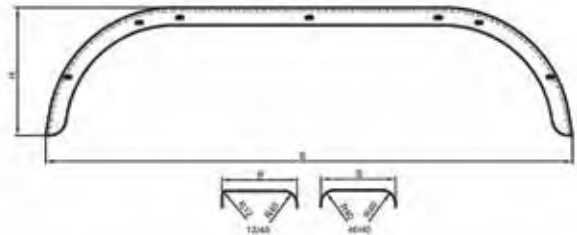
Type	Material	Wheel size max.	Art. Nr.
13"	Stainless steel	165/80R13	6X1485.001
14"	Stainless steel	205/80R14	6X1485.002
A268040K	Stainless steel	205/80R16	6X1485.003
10"	Stainless steel	125/80R14	6X1485.004
12"	Stainless steel	155/80R13	6X1485.005
13"	Stainless steel	185/80R14	6X1485.006
14"	Stainless steel	205/80R16	6X1485.007



- Fenders with a profile of 12/40.
- Radius 12 is for sidewall-mounting on a trailer.
- Radius 40/40 is for mounting on the supports of trailers, like boat trailers.

Double axle stainless steel fenders

Type	Material	Wheel size max.	Art. Nr.
14"	Stainless steel	205/80R13	6X1486.001
14"	Stainless steel	205/80R13	6X1486.002

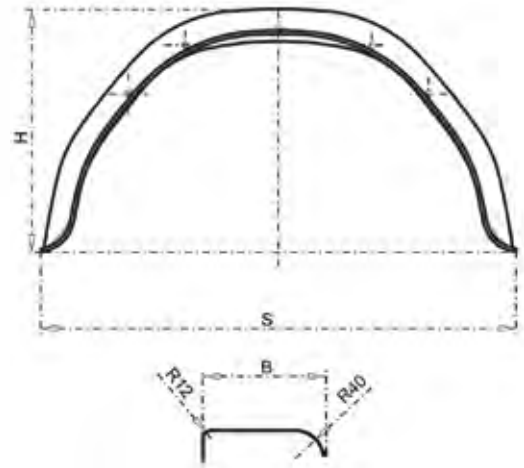


- Fenders with a profile of 12/40 and 40/40.
- Radius 12 is for sidewall-mounting on a trailer.
- Radius 40/40 is for mounting on the supports of trailers, like boat trailers.



Single axle trailer fenders

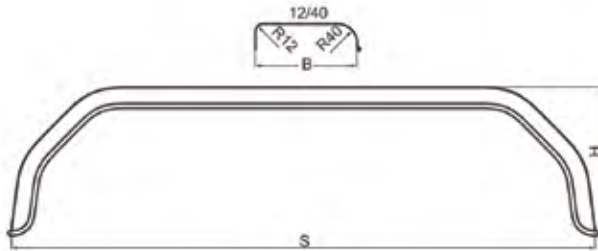
- Angular fenders with a profile of 12/40.
- Radius 12 is for sidewall-mounting on a trailer.



Type	Material	Wheel size max.	Art. Nr.
A176712S	galvanized steel	135/80R15	6X1031.001
A176712S(F)	galvanized steel	135/80R15	6X1031.012
A207612S	galvanized steel	165/80R17	6X1031.002
A207612S(F)	galvanized steel	165/80R17	6X1031.013
A207612S(F)	galvanized steel	165/80R17	6X1031.007
A227612S	galvanized steel	185/80R15	6X1031.003
A227512S	galvanized steel	185/80R15	6X1031.004
A247512S	galvanized steel	205/80R14	6X1031.005
A155512S(F)	galvanized steel	120/80R11	6X1031.009
ET-70343-A Knott INOX	Stainless steel	255/80R12	6X1486.006
A227512S INOX	Stainless steel	185/80R15	6X1486.007
A176712S INOX	Stainless steel	135/80R15	6X1486.009

Double axle trailer fenders (angular)

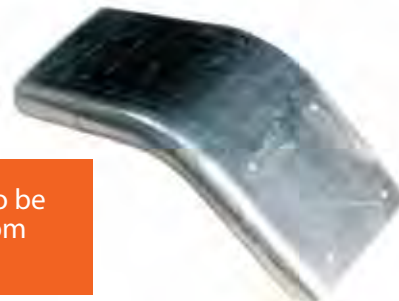
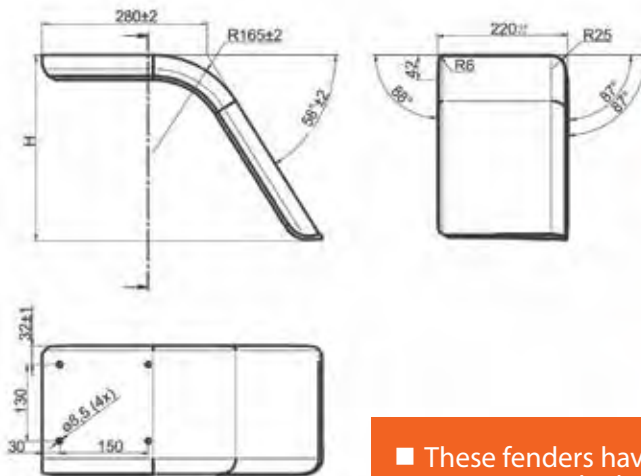
Type	Material	Wheel size max.	Art. Nr.
A2315112ST	galvanized steel	195/80R14	6X0570.012
A2315112ST(F)	galvanized steel	195/80R14	6X0570.015
A2315112ST INOX	Stainless steel	195/80R14	6X1486.008



- Tandem fenders with a profile of 12/40.
- Radius 12 is for sidewall-mounting on a trailer.

Trailer fenders (half)

Type	Material	Wheel size max.	Art. Nr.
5227 Je & Bh	galvanized steel	185/80R15	6A5227.001
5228 JH & Be	galvanized steel	185/80R15	6A5228.001
5229 Jh & Be	galvanized steel	205/80R14	6A5229.001
5230 Je & Bh	galvanized steel	205/80R14	6A5230.001



- These fenders have to be mount on the bottom plate of the trailer.

SUPPLEMENTS FOR PLASTIC FENDERS

Top step plate for plastic fenders

■ New construction



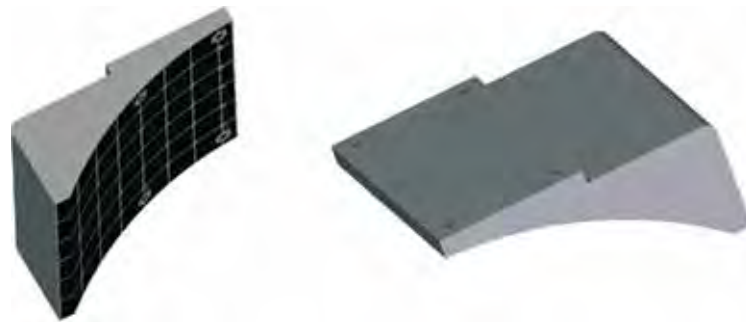
Mounting instruction



Mudguard stiffener

Main features:

- Very strong, high dimensional stability
- Good heat deformation resistance
- Resistant to many oils, greases, diesels, petrol, UV and weather
- Material: PA6GF30



Mudflap

Main features:

- Protects the vehicle, passengers, other vehicles, and pedestrians from mud and other flying debris thrown into the air by the rotating tire.
- Material: PVC



PLASTIC FENDERS

Type	Colour	Art. Nr.
A186812SM	gray RAL7040	6A6092.001
A186812SM	black	6A6092.002
13"	black	6X0744.003
14"	black	6X0744.004
Tandem	black	6X1506.002
8"-12"	gray	6A6594.101
8"-12"	white	6A6594.201



3-Steps plastic fenders

Type	Colour	Art. Nr.
12"	gray	6A6595.101
13"	gray	6A6595.102
14"	gray	6A6595.103
12"	white	6A6595.201
13"	white	6A6595.202
14"	white	6A6595.203
12"	black	6A6595.301
13"	black	6A6595.302
14"	black	6A6595.303





Sándor H. Szabó
Owner - Executive Director
Dipl. Ing.



László Ujhidy
Managing director



Zita H. Szabó
Head of Sales Europe
zita.hszabo@autoflex.hu



Anita Monti
President
Head of Sales USA,
a.monti@autoflex.hu



Shaun Johnston
Operations Manager
shaun.johnston@
autoflexknottinc.com



Csilla Farkas
Sales Key-Account USA
cs.farkas@autoflex.hu



**Zsuzsanna
Koczkáné Zalka**
Quality Manager
zs.koczkane@autoflex.hu



Attila Gyűrűsi
Head of Development
Manager
a.gyurusi@autoflex.hu



Sándor Erdősi
Head of Engineer
Department
s.erdosi@autoflex.hu



Gábor Könczöl
Development
Engineer
g.konczol@autoflex.hu



János Faragó
Engineering
j.farago@autoflex.hu



István Gönczöl
Engineering
i.gonczol@autoflex.hu



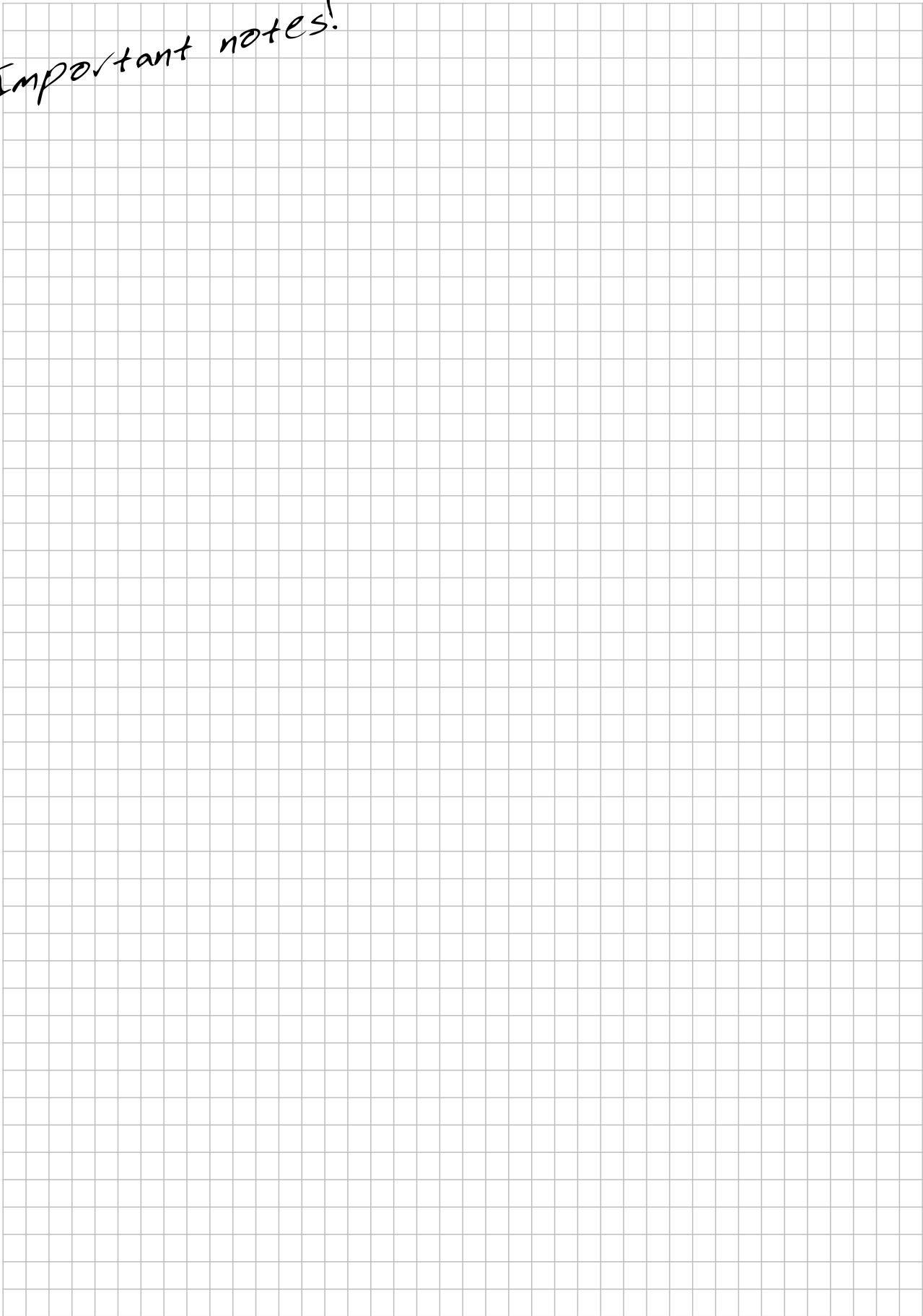
Dénes Vas
Engineering
d.vas@autoflex.hu



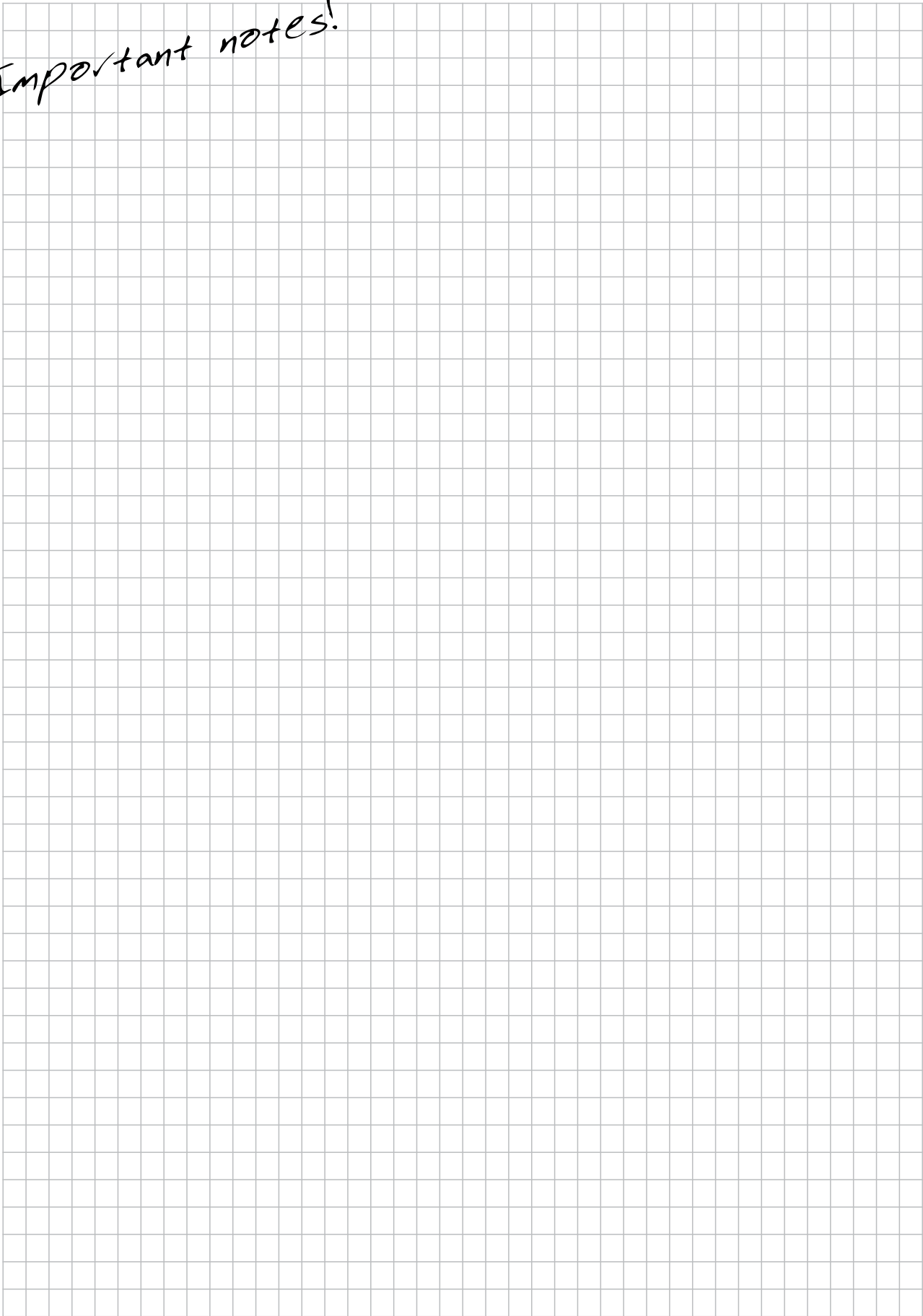
Sándor Róth
Engineering
s.roth@autoflex.hu

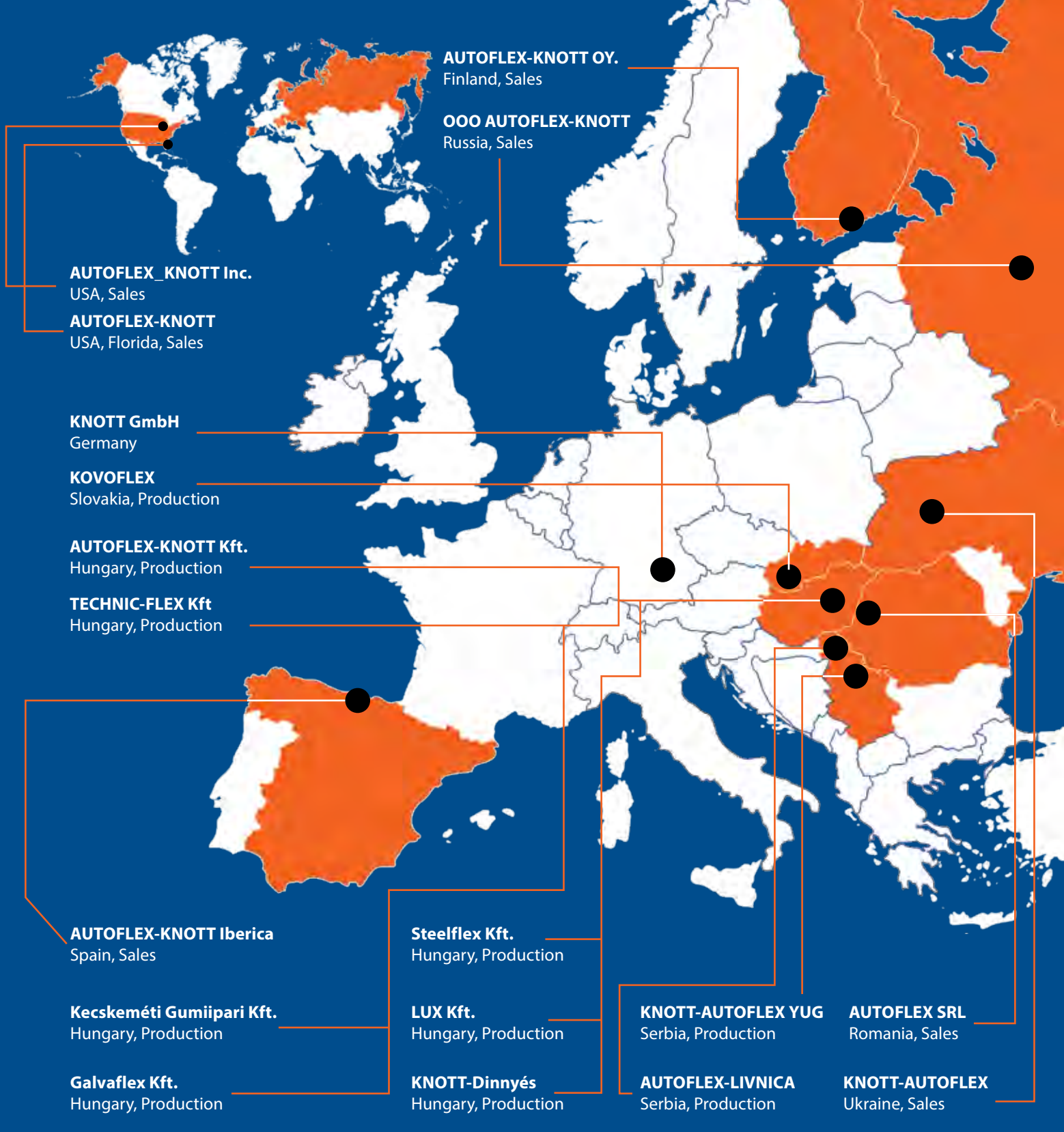


Important notes!



Important notes!





KNOTT

AUTOFLEX INC.

Kecskemét,
Kadafalva-Heliport
Központ
Tel.: (+36) 76/481-515
Fax: (+36) 76/481-494
e-mail: info@autoflex.hu

www.autoflex-knott.com