

M10x1.25x30 - 4ks
 M12x30 - 8ks
 M12x70 - 2ks (A)
 M12x90 - 2ks (I)
 M12x19 - 3ks (C)
 M12x21 - 1ks (C)



M12 - 6ks (A, I)
 M12 - 4ks (C)



P12 - 4ks

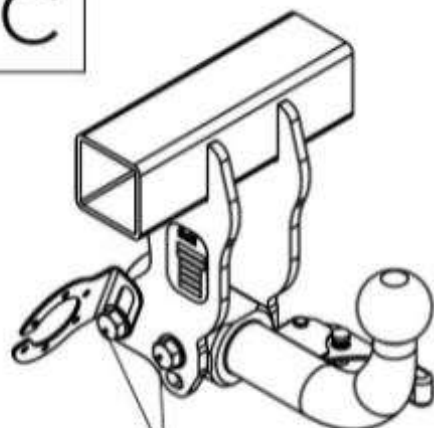


PP10 - 4ks
 PP12 - 10ks (A, I)
 PP12 - 12ks (C)

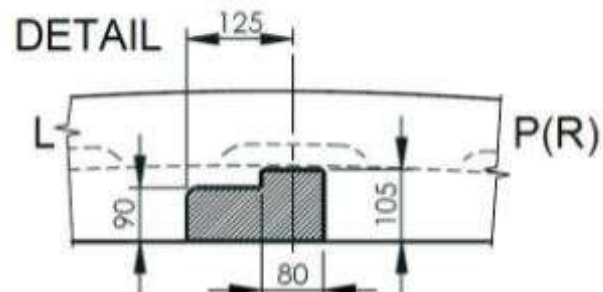


M10x1.25 - 2ks
 (pôvodné)
 (original)

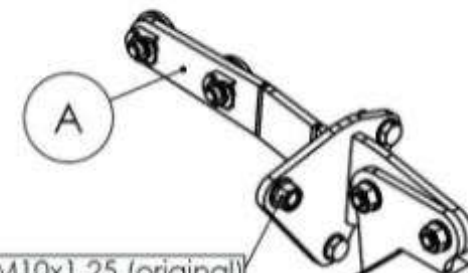
C



M12x19 - 3ks
 M12x21 - 1ks

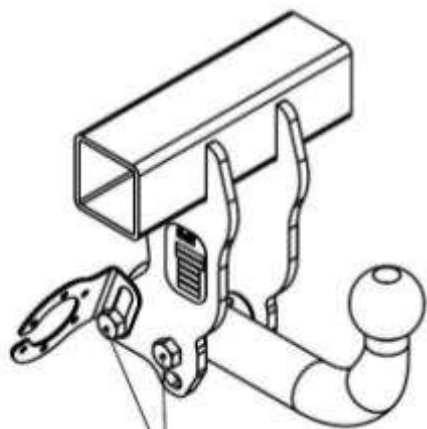


Galip[®]



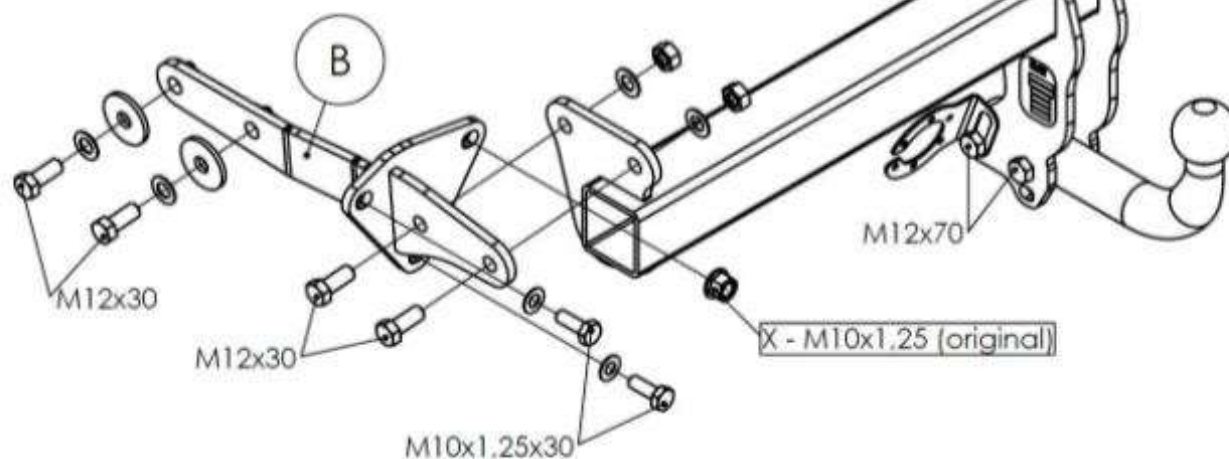
X - M10x1.25 (original)

C



M12x90 (10.9) - 2ks
 110 Nm!

I



AIC 325 0 2

SUBARU FORESTER
 Kód: S1405(A,I,C) 11. 3. 2021

A