

M10x1,25x30 - 4ks
 M10x35 - 4ks
 M12x35 - 4ks
 M12x70 - 2ks (A)
 M12x90 - 2ks (I)
 M12x19 - 3ks (C)
 M12x21 - 1ks (C)



M12 - 6ks (A, I)
 M12 - 4ks (C)



PP10 - 10ks
 PP12 - 6ks (A, I)
 PP12 - 8ks (C)

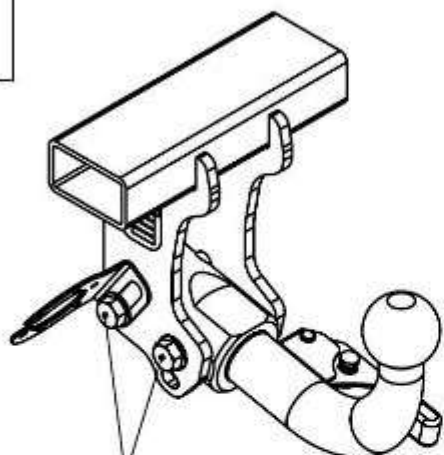


P10 - 4ks



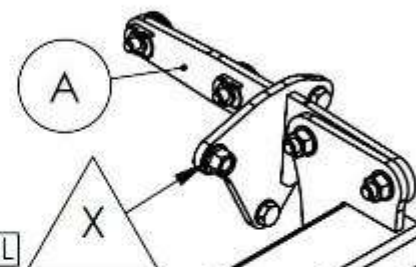
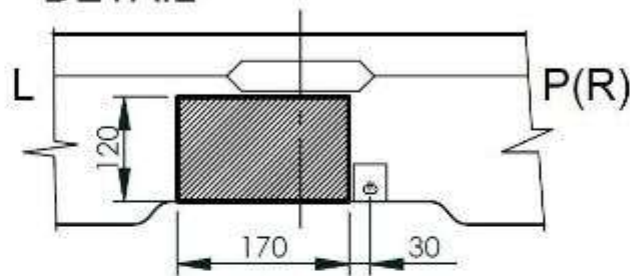
M10x1,25 - 2ks ORIGINAL

C



M12x19 - 3ks
 M12x21 - 1ks

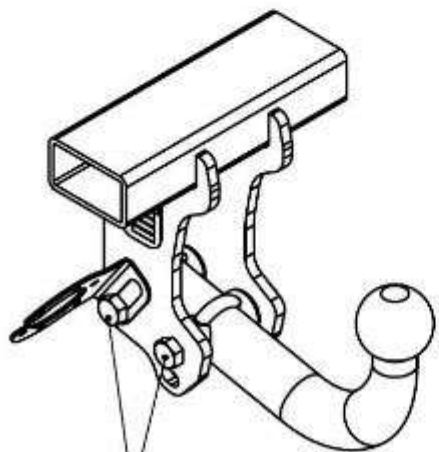
DETAIL



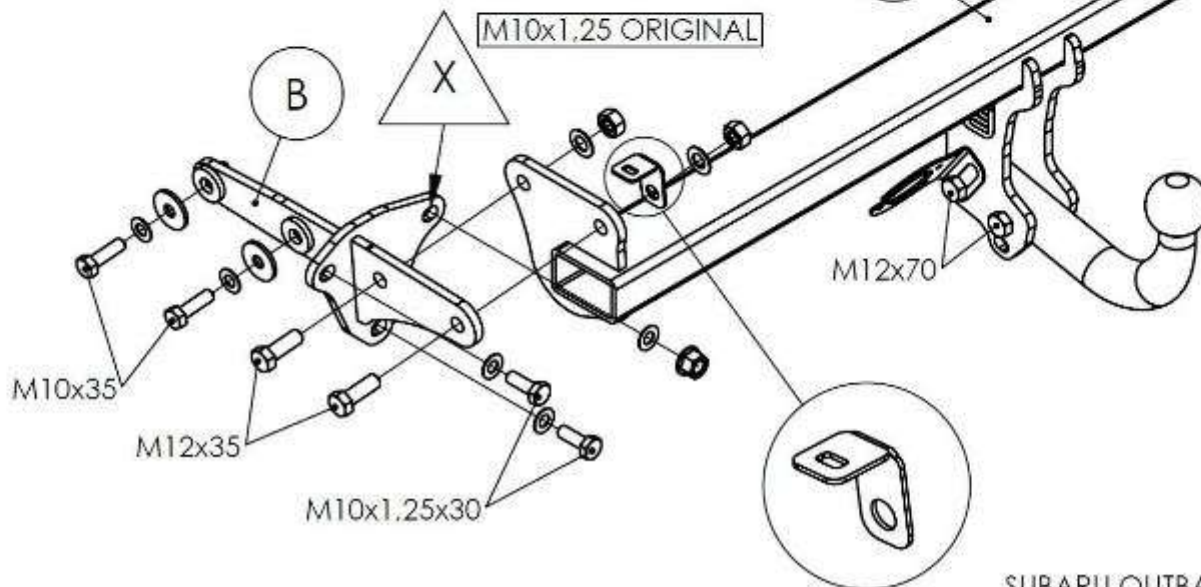
M10x1,25 ORIGINAL

C

M10x1,25 ORIGINAL



M12x90 (10.9) - 2ks
 110 Nm!



I

AIC 325 -12 2

SUBARU OUTBACK
 Kód: S1415(A,I,C) 10. 6. 2021

A