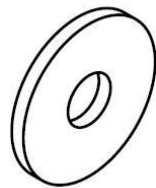


M8x20 - 1ks
 M10x30 - 8ks
 M10x1,25x30 - 4ks
 M12x30 - 4ks
 M12x70 - 2ks (A)
 M12x90 - 2ks (I)
 M12x19 - 4ks (C)



M8 - 1ks
 M12 - 6ks (A, I)
 M12 - 4ks (C)



P11 - 8ks

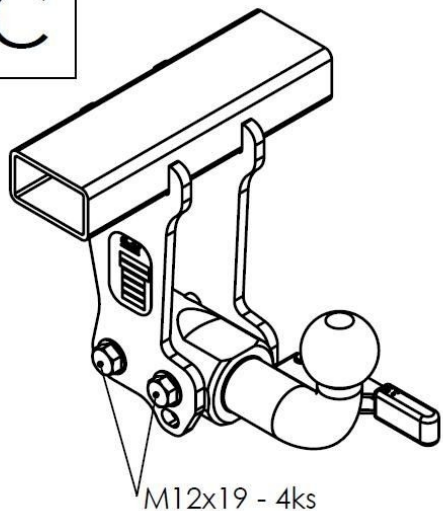


PP8 - 1ks
 PP10 - 12ks
 PP12 - 6ks (A, I)
 PP12 - 8ks (C)

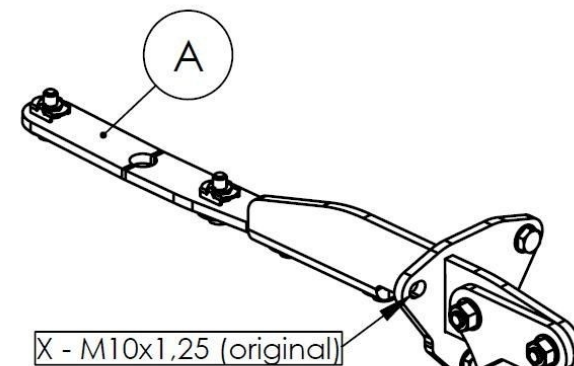
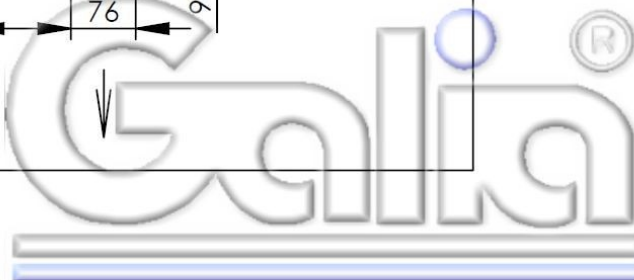
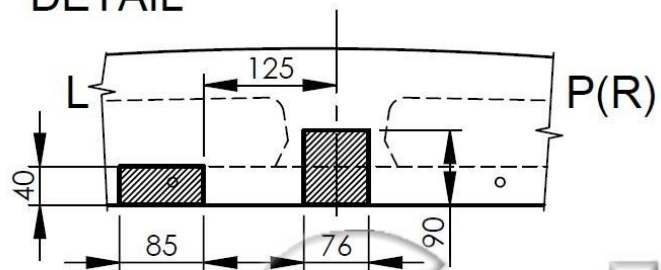


M10x1,25 - 2ks
 (pôvodné)
 (original)

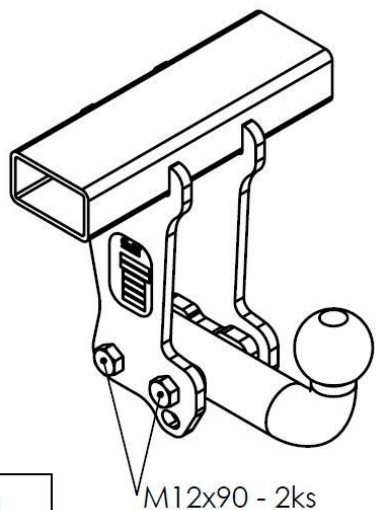
C



DETAIL

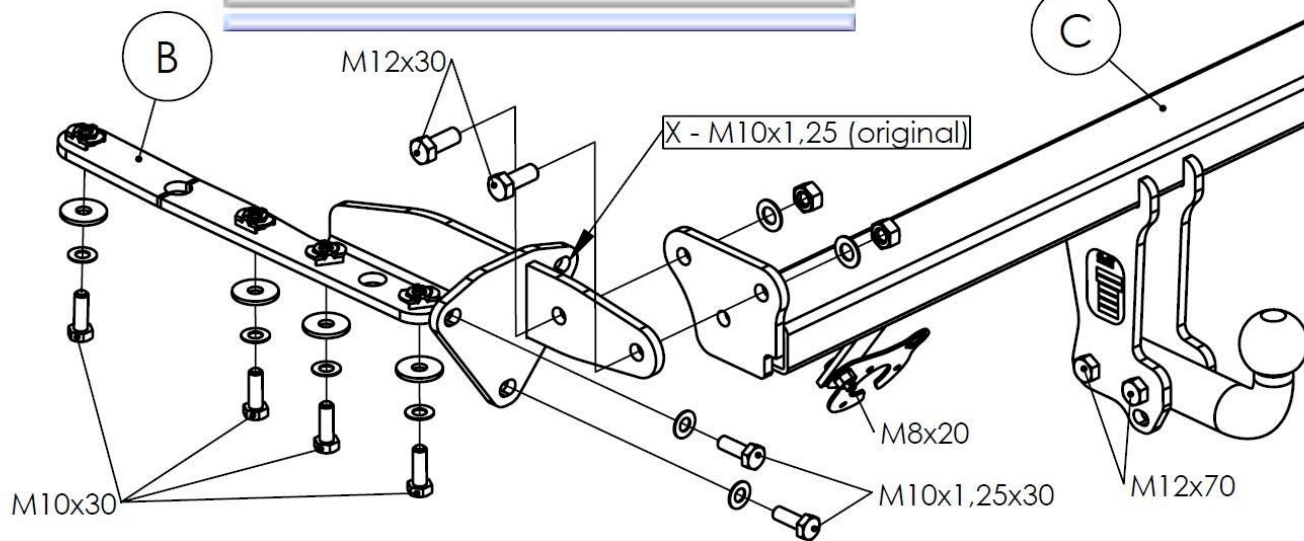


X - M10x1,25 (original)



M12x90 - 2ks

I



AIC 250 0 1

SUBARU FORESTER
 Kód: S1065(A,I,C) 15. 8. 2013

A

